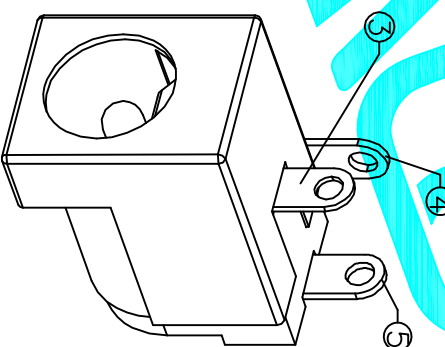
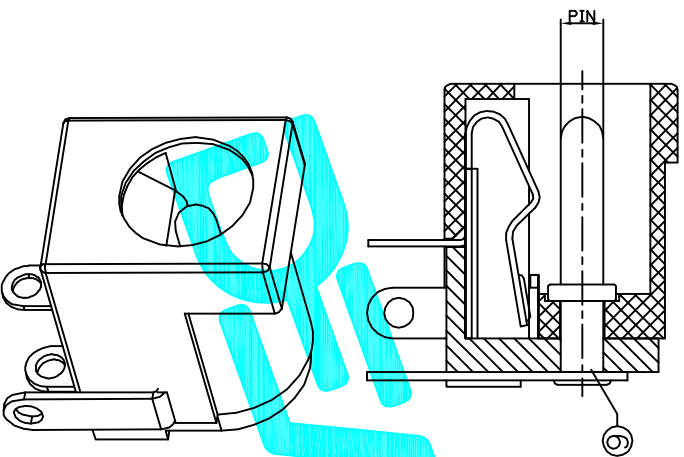


Rating: 0.5A 30V DC
 Contact Resistance: 100 mΩ Max
 Operating temperature: -20°C ~ 70°C
 Operating force: 3-20N
 Operating Life: 5,000cycles



PIN	APPD.
1.65	φ200
2.50	φ250



ITEM	PART NAME	QTY.	MATERIAL	FINISHING
①	HOUSING	1	PA9T	
②	COVER	1	PA9T	
③	SPRING PIECE	1	BRONZE	Sn-Plating
④	COVER PIECE	1	BRASS	Sn-Plating
⑤	FLAT FOOT	1	BRASS	Sn-Plating
⑥	PIN	1	BRASS	Ni-Plating

APPROVALS
 DRAWN G.M.Chen 2018/3/15
 CHECKED
 APPROVALS
 TOLERANCES ARE
 30~0.1 ±0.30
 10~0.30 ±0.20
 5~10 ±0.15
 ~5 ±0.10

ECN NO.	REV.	DATE	DESCRIPTION	CHANGE	CHECK	APPRO.
	A		NEW			

DC JACK
 DC-DD005-XXXX
 SCALE: 1:1
 SHEET 1 OF 1
 PROJ.

DEALON 德之隆
 ELECTRONICS CO.,LTD