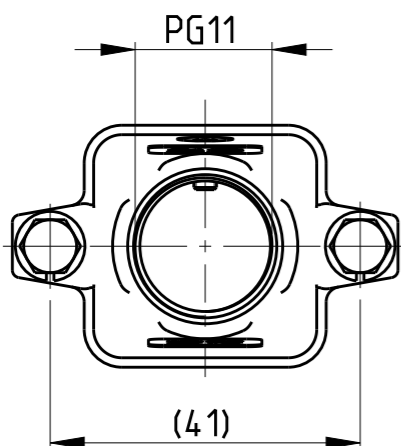
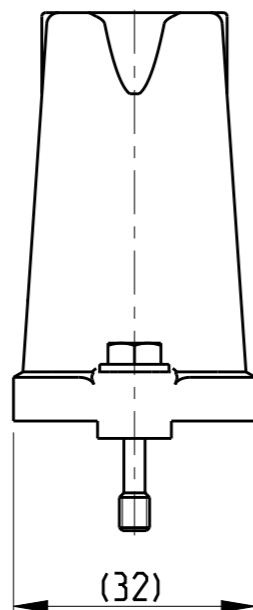
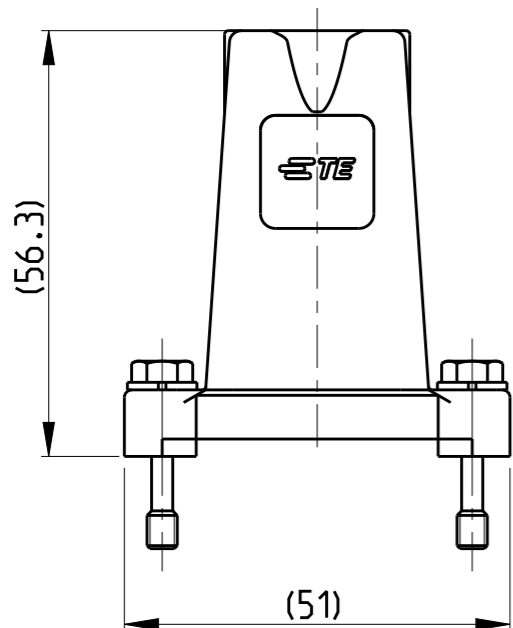


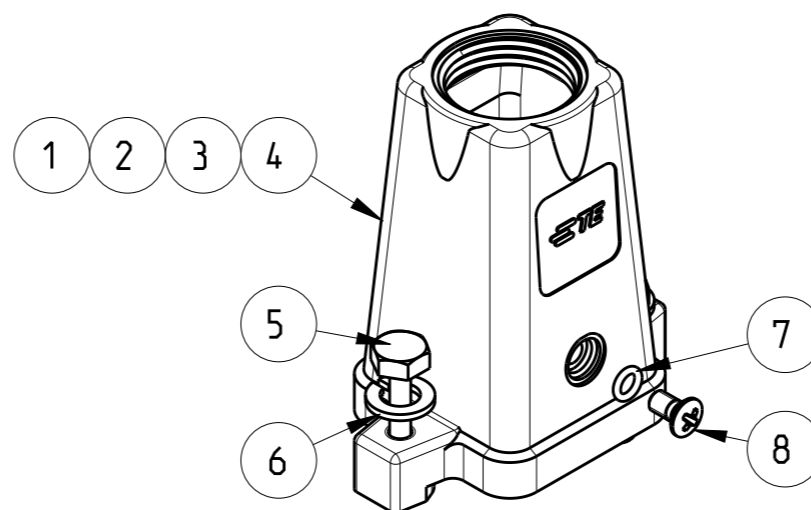
THIS DRAWING IS UNPUBLISHED. RELEASED FOR PUBLICATION 2006
© COPYRIGHT 2006 BY - ALL RIGHTS RESERVED.

REVISIONS

P	LTR	DESCRIPTION	DATE	DWN	APVD
A5		ECR-10-009092	22OCT2009	RO	BR
B		ECR-16-001855	29FEB2016	GCM	JB



PN 1-5 AS SHOWN




Notes

- 1 SUITABLE HOUSINGS: SERIES HIP, SIZE 1
CUSTOMER DRAWING 1102600, 1106408
- 2 STANDARDS:
DIN EN 61984, DIN EN 60664-1
- 3 TOOL:
PHILLIPS SCREWDRIVER PH1.
HEXAGON SCREWDRIVER 7mm
- 4 VARNISH ON INSIDE AREA NOT
NECESSARY
- 5 PACKAGING:
10 SETS IN A CARTON, PRE-MOUNTED

0-1102600-2	HIP-K.3/4.STO.1.11.G
2-1102600-5	HIP-K.3/4.STO.1.11.G
1-1102600-5	HIP.3/4.STO.1.11.G
PART NO.	ORDERING TEXT

PN/QTY	DESCRIPTION	MATERIAL	COLOR/SURFACE	NOTE	ITEM
1 1 1	SREW COUNTERSUNK RAISED HEAD	STAINL.STEEL	V2A	M3x6 PH1 DIN EN ISO 7047	8
1 1 1	O - RING	NBR	BLACK	3.0x1.0	7
2 2 2	WASHER, PLAIN	STAINL.STEEL	BLANK	A4, DIN EN ISO 7089, 200HV	6
2 2 2	SCREW, HEXAGON BOLT	STAINL.STEEL	BLANK	M4x22 DIN EN ISO 7964, REDUCED SHUNK	5
1 - -	CONNECTOR HOUSING	ALU	YELLOW	SERIES HIP-K	4
- 1 -	CONNECTOR HOUSING	ALU	BLACK	SERIES HIP-K	2
- - 1	CONNECTOR HOUSING	ALU	GREY	SERIES HIP	1

PARTS LIST (PER ONE UNIT)

THIS DRAWING IS A CONTROLLED DOCUMENT.		DWN V.Glumm 06AUG2009	 TE Connectivity											
DIMENSIONS: mm		CHK H.Braun 06AUG2009												
TOLERANCES UNLESS OTHERWISE SPECIFIED:		APVD T.Schnurpfel 06AUG2009												
<table border="1"> <tr> <td>0 PLC</td> <td>±</td> </tr> <tr> <td>1 PLC</td> <td>±</td> </tr> <tr> <td>2 PLC</td> <td>±</td> </tr> <tr> <td>3 PLC</td> <td>±</td> </tr> <tr> <td>4 PLC</td> <td>±</td> </tr> <tr> <td>ANGLES</td> <td>±1°</td> </tr> </table>		0 PLC		±	1 PLC	±	2 PLC	±	3 PLC	±	4 PLC	±	ANGLES	±1°
0 PLC	±													
1 PLC	±													
2 PLC	±													
3 PLC	±													
4 PLC	±													
ANGLES	±1°													
MATERIAL	FINISH	APPLICATION SPEC	NAME CONNECTOR HOUSING ASS'Y, TOP ENTRY SERIES HIP, SIZE 1, PG11											
		WEIGHT	SIZE A3											
		CUSTOMER DRAWING	CAGE CODE 00779											
			DRAWING NO C-1102600											
			RESTRICTED TO											
			SCALE 1:1											
			SHEET 1 OF 1											
			REV B											