

SPIDER+ 12V

TLE75080-EMH

SPI Driver for Enhanced Relay Control

Data Sheet

Rev. 1.0, 2016-06-22

Automotive Power

Table of Contents

1	Overview	6
2	Block Diagram and Terms	10
2.1	Block Diagram	10
2.2	Terms	11
3	Pin Configuration	12
3.1	Pin Assignment	12
3.2	Pin Definitions and Functions	13
4	General Product Characteristics	15
4.1	Absolute Maximum Ratings	15
4.2	Functional Range	17
4.3	Thermal Resistance	18
4.3.1	PCB set up	18
4.3.2	Thermal Impedance	20
5	Control Pins	21
5.1	Input pins	21
5.2	IDLE pin	21
5.3	Electrical Characteristics Control Pins	23
6	Power Supply	24
6.1	Operation Modes	27
6.1.1	Power-up	29
6.1.2	Sleep mode	29
6.1.3	Idle mode	29
6.1.4	Active mode	29
6.1.5	Limp Home mode	29
6.1.6	Definition of Power Supply modes transition times	30
6.2	Reset condition	30
6.2.1	Undervoltage on V_S	30
6.2.2	Low Operating Power on V_{DD}	31
6.3	Electrical Characteristics Power Supply	32
7	Power Stages	39
7.1	Output ON-state resistance	39
7.1.1	Switching Resistive Loads	39
7.1.2	Inductive Output Clamp	39
7.1.3	Maximum Load Inductance	40
7.2	Inverse Current Behavior	40
7.3	Switching Channels in parallel	41
7.4	“Bulb Inrush Mode” (BIM)	41
7.5	Automatic PWM Generator	42
7.6	Electrical Characteristics Power Stages	45
8	Protection Functions	48
8.1	Over Load Protection	48
8.2	Over Temperature Protection	48
8.3	Over Temperature and Over Load Protection in Limp Home mode	49
8.4	Reverse Polarity Protection	49
8.5	Over Voltage Protection	49
8.6	Electrical Characteristics Protection	50

9	Diagnosis	52
9.1	Over Load and Over Temperature	52
9.2	Output Status Monitor	52
9.3	Open Load at ON	53
9.3.1	Open Load at ON - direct channel diagnosis	53
9.3.2	Open Load at ON - diagnosis loop	54
9.3.3	OLON bit	56
9.4	Electrical Characteristics Diagnosis	57
10	Serial Peripheral Interface (SPI)	58
10.1	SPI Signal Description	58
10.2	Daisy Chain Capability	59
10.3	Timing Diagrams	60
10.4	Electrical Characteristics	61
10.5	SPI Protocol	64
10.6	SPI Registers Overview	67
10.6.1	Standard Diagnosis	67
10.6.2	Register structure	69
10.6.3	Register summary	72
10.6.4	SPI command quick list	73
11	Application Information	75
11.1	Further Application Information	76
12	Package Outlines	77
13	Revision History	79

List of Figures

Figure 1	Block Diagram of TLE75080-EMH	10
Figure 2	Voltage and Current definition	11
Figure 3	Pin Configuration TLE75080-EMH in PG-SSOP-24-9	12
Figure 4	2s2p PCB Cross Section	18
Figure 5	PC Board for Thermal Simulation with 600 mm ² Cooling Area	19
Figure 6	PC Board for Thermal Simulation with 2s2p Cooling Area	19
Figure 7	Typical Thermal Impedance. PCB setup according Chapter 4.3.1	20
Figure 8	Typical Thermal Resistance. PCB setup 1s0p	20
Figure 9	Input Mapping	21
Figure 10	TLE75080-EMH Internal Power Supply concept.	24
Figure 11	“Cranking Operative Range”	25
Figure 12	Operation Mode state diagram	28
Figure 13	Transition Time diagram	30
Figure 14	V_S Undervoltage Behavior	31
Figure 15	Switching a Resistive Load.	39
Figure 16	Output Clamp concept	40
Figure 17	Bulb Inrush Mode (BIM) operation	42
Figure 18	PWM Generator Mappings	44
Figure 19	Over Load current thresholds	48
Figure 20	Latch OFF at Over Load	48
Figure 21	Restart timer in Limp Home mode	49
Figure 22	Output Status Monitor timing	52
Figure 23	Output Status Monitor - concept	53
Figure 24	Open Load at ON timings (direct channels diagnosis)	54
Figure 25	Open Load at ON timings (diagnosis loop - channels driven by micro-controller directly)	55
Figure 26	Open Load at ON timings (diagnosis loop - channels driven by internal PWM Generators)	56
Figure 27	Serial Peripheral Interface	58
Figure 28	Combinatorial Logic for TER bit.	58
Figure 29	Daisy Chain Configuration	59
Figure 30	Data Transfer in Daisy Chain Configuration	60
Figure 31	Timing Diagram SPI Access	60
Figure 32	Relationship between SI and SO during SPI communication.	64
Figure 33	Register content sent back to μC	64
Figure 34	TLE75080-EMH response after a error in transmission	65
Figure 35	TLE75080-EMH response after coming out of Power-On reset at V_{DD}	65
Figure 36	TLE75080-EMH response after a command syntax error	65
Figure 37	TLE75080-EMH Application Diagram	75
Figure 38	PG-SSOP-24-9 Package drawing	77
Figure 39	TLE75080-EMH Package pads and stencil	77

List of Tables

Table 1	Product Summary	6
Table 2	Absolute Maximum Ratings	15
Table 3	Functional range	17
Table 4	Thermal Resistance	18
Table 5	Electrical Characteristics: Control Pins	23
Table 6	Device capability as function of V_S and V_{DD}	26
Table 7	Device function in relation to operation modes, V_S and V_{DD} voltages	28
Table 8	Electrical Characteristics Power Supply	32
Table 9	HWCR_PWM.ADJ coefficients overview	42
Table 10	Electrical Characteristics: Power Stage	45
Table 11	Electrical Characteristics Protection	50
Table 12	Electrical Characteristics Diagnosis	57
Table 13	Electrical Characteristics Serial Peripheral Interface (SPI)	61
Table 14	SPI Command summary	66
Table 15	Standard Diagnosis	67
Table 16	Register structure - all registers (with the exclusion of PWM_CR0 and PWM_CR1)	69
Table 17	Register structure - PWM_CR0 and PWM_CR1	69
Table 18	Register addressing space	69
Table 19	Addressable registers (basic functions)	72
Table 20	Addressable registers (advanced functions)	73
Table 21	SPI command quick list	73
Table 22	Suggested Component values	75



1 Overview

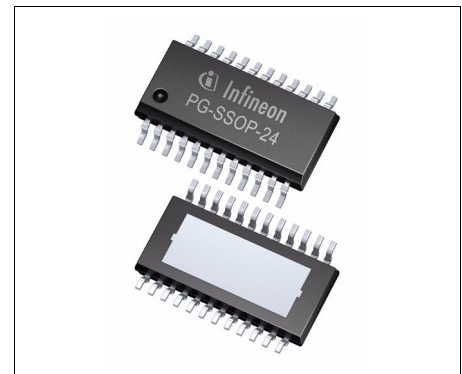
Features

- 16-bit serial peripheral interface for control and diagnosis
- Daisy Chain capability SPI also compatible with 8-bit SPI devices
- 2 CMOS compatible parallel input pins with Input Mapping functionality
- Cranking capability down to $V_S = 3.0\text{ V}$ (supports LV124)
- Digital supply voltage range compatible with 3.3 V and 5 V microcontrollers
- Bulb Inrush Mode (BIM) to drive 2 W lamps and electronic loads
- Two internal PWM Generators for μC offload
- Two independent battery feeds (V_{S1} , V_{S2}) for high-side channels
- Very low quiescent current (with usage of IDLE pin)
- Limp Home mode (with usage of IDLE and IN pins)
- Green Product (RoHS compliant)
- AEC Qualified

Description

The TLE75080-EMH is an eight channel high-side power switch in PG-SSOP-24-9 package providing embedded protective functions. It is specially designed to control relays and LEDs in automotive and industrial applications.

A serial peripheral interface (SPI) is utilized for control and diagnosis of the loads as well as of the device. For direct control and PWM there are two input pins available connected to two outputs by default. Additional or different outputs can be controlled by the same input pins (programmable via SPI).



PG-SSOP-24-9

Package	Marking
PG-SSOP-24-9	TLE75080EMH

Table 1 Product Summary

Parameter	Symbol	Values
Analog supply voltage	V_S	3.0 V ... 28 V
Digital supply voltage	V_{DD}	3.0 V ... 5.5 V
Minimum overvoltage protection	$V_{S(AZ)}$	42 V (see Chapter 8.5 for details)
Maximum on-state resistance at $T_J = 150\text{ }^\circ\text{C}$	$R_{DS(ON)}$	2.2 Ω
Nominal load current ($T_A = 85\text{ }^\circ\text{C}$, all channels)	$I_{L(NOM)}$	330 mA
Maximum Energy dissipation - repetitive	E_{AR}	10 mJ @ $I_{L(EAR)} = 220\text{ mA}$
Maximum Source to Ground clamping voltage	$V_{OUT(CL)}$	-16 V
Maximum overload switch OFF threshold	$I_{L(OVL0)}$	2.3 A

Table 1 Product Summary (cont'd)

Parameter	Symbol	Values
Maximum total quiescent current at $T_J \leq 85\text{ °C}$	I_{SLEEP}	5 μA
Maximum SPI clock frequency	f_{SCLK}	5 MHz

Applications

- High-side switches for 12 V in automotive or industrial applications such as lighting, heating, motor driving, energy and power distribution
- Especially designed for driving relays, LEDs and motors.

Protective Functions

- Reverse battery protection on V_S without external components
- Short circuit to ground and battery protection
- Stable behavior at under voltage conditions (“Lower Supply Voltage Range for Extended Operation”)
- Over Current latch OFF
- Thermal shutdown latch OFF
- Overvoltage protection
- Loss of ground protection
- Loss of battery protection
- Electrostatic discharge (ESD) protection

Diagnostic Features

- Latched diagnostic information via SPI register
- Over Load detection at ON state
- Open Load detection at OFF state using Output Status Monitor function
- Output Status Monitor
- Input Status Monitor
- Open Load detection at ON state

Application Specific Functions

- Fail-safe activation via Input pins in Limp-Home Mode
- SPI with Daisy Chain capability
- Safe operation at low battery voltage (cranking)
- 2 W lamps, 5 W lamps with two channels in parallel mode and enhanced capacitive loads driving capability (Bulb Inrush Mode)
- Two independent internal PWM generators to drive e.g. LEDs
- Two supply pins for different battery feeds (each pin is the power drain of four high-side channels)

Detailed Description

The TLE75080-EMH is an eight channel high-side switch providing embedded protective functions. The output stages incorporate eight high-side switches (typical $R_{DS(ON)}$ at $T_J = 25^\circ\text{C}$ is $1\ \Omega$). Driving a load from high-side offers the possibility to perform Open Load at ON diagnosis.

The 16-bit serial peripheral interface (SPI) is utilized to control and diagnose the device and the loads. The SPI interface provides daisy chain capability in order to assemble multiple devices (also devices with 8 bit SPI) in one SPI chain by using the same number of microcontroller pins.

This device is designed for low supply voltage operation, therefore being able to keep its state at low battery voltage ($V_S \geq 3.0$ V). The SPI functionality, including the possibility to program the device, is available only when the digital power supply is present (see [Chapter 6](#) for more details).

The TLE75080-EMH is equipped with two input pins that are connected to two outputs, making them controllable even when the digital supply voltage is not available. With the Input Mapping functionality it is possible to connect the input pins to different outputs, or assign more outputs to the same input pin. In this case more channels can be controlled with one signal applied to one input pin.

In Limp Home mode (Fail-Safe mode) the input pins are directly routed to channels 2 and 3. When IDLE pin is “low”, it is possible to activate the two channels using the input pins independently from the presence of the digital supply voltage.

The device provides diagnosis of the load via Open Load at ON state, Open Load at OFF state (with [DIAG_OSM.OUTn](#) bits) and short circuit detection. For Open Load at OFF state detection, an internal current source I_{OL} can be activated via SPI.

Each output stage is protected against short circuit. In case of Overload, the affected channel switches OFF when the Overload Detection Current $I_{L(OVLn)}$ is reached and can be reactivated via SPI. In Limp Home mode operation, the channels connected to an input pin set to “high” restart automatically after Output Restart time $t_{RETRY(LH)}$ is elapsed. Temperature sensors are available for each channel to protect the device against Over Temperature.

The power transistors are built by N-channel power MOSFET with one central chargepump. The inputs are ground referenced TTL compatible. The device is monolithically integrated in Smart Power Technology.

2 Block Diagram and Terms

2.1 Block Diagram

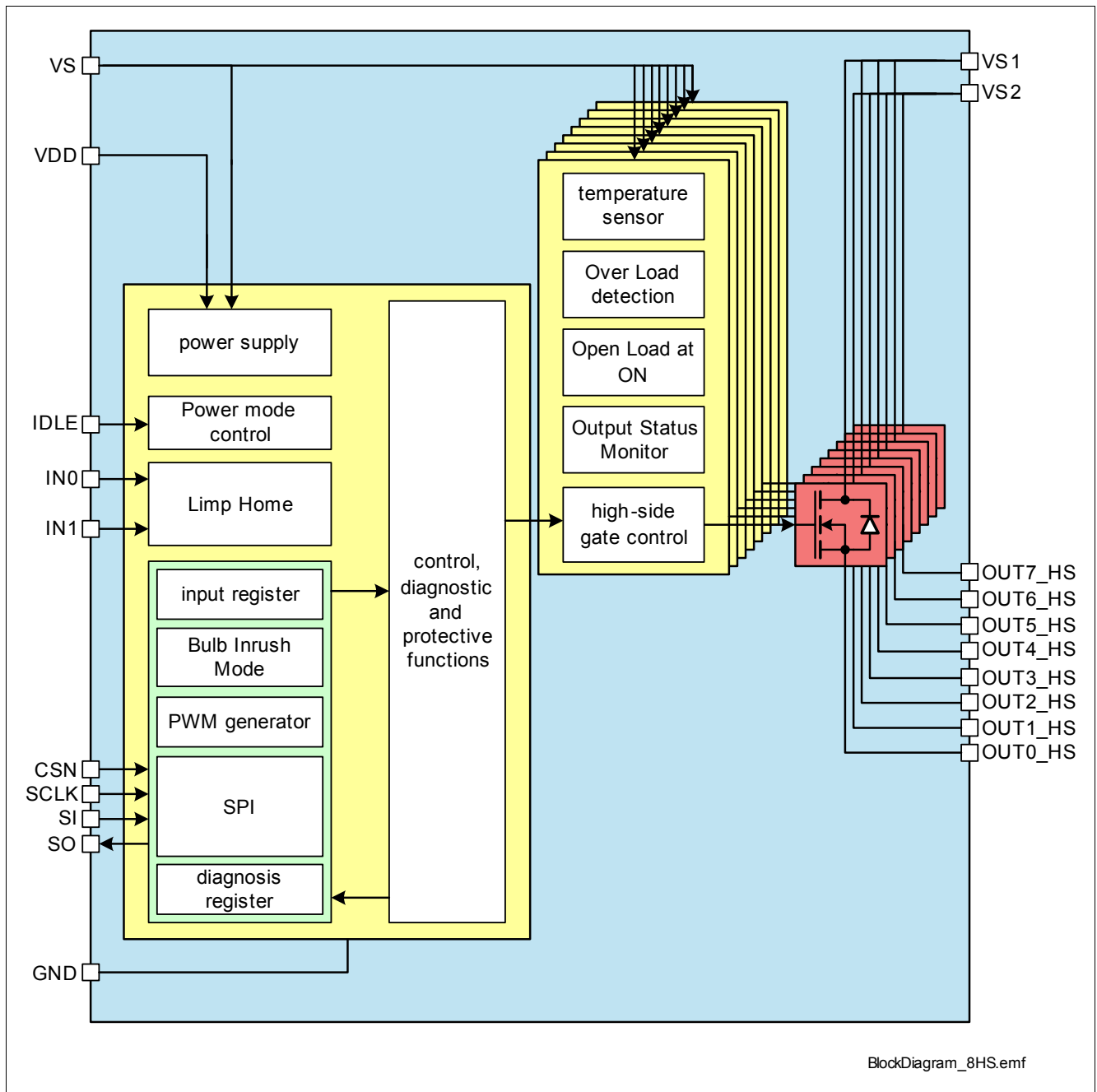


Figure 1 Block Diagram of TLE75080-EMH

2.2 Terms

Figure 2 shows all terms used in this data sheet, with associated convention for positive values.

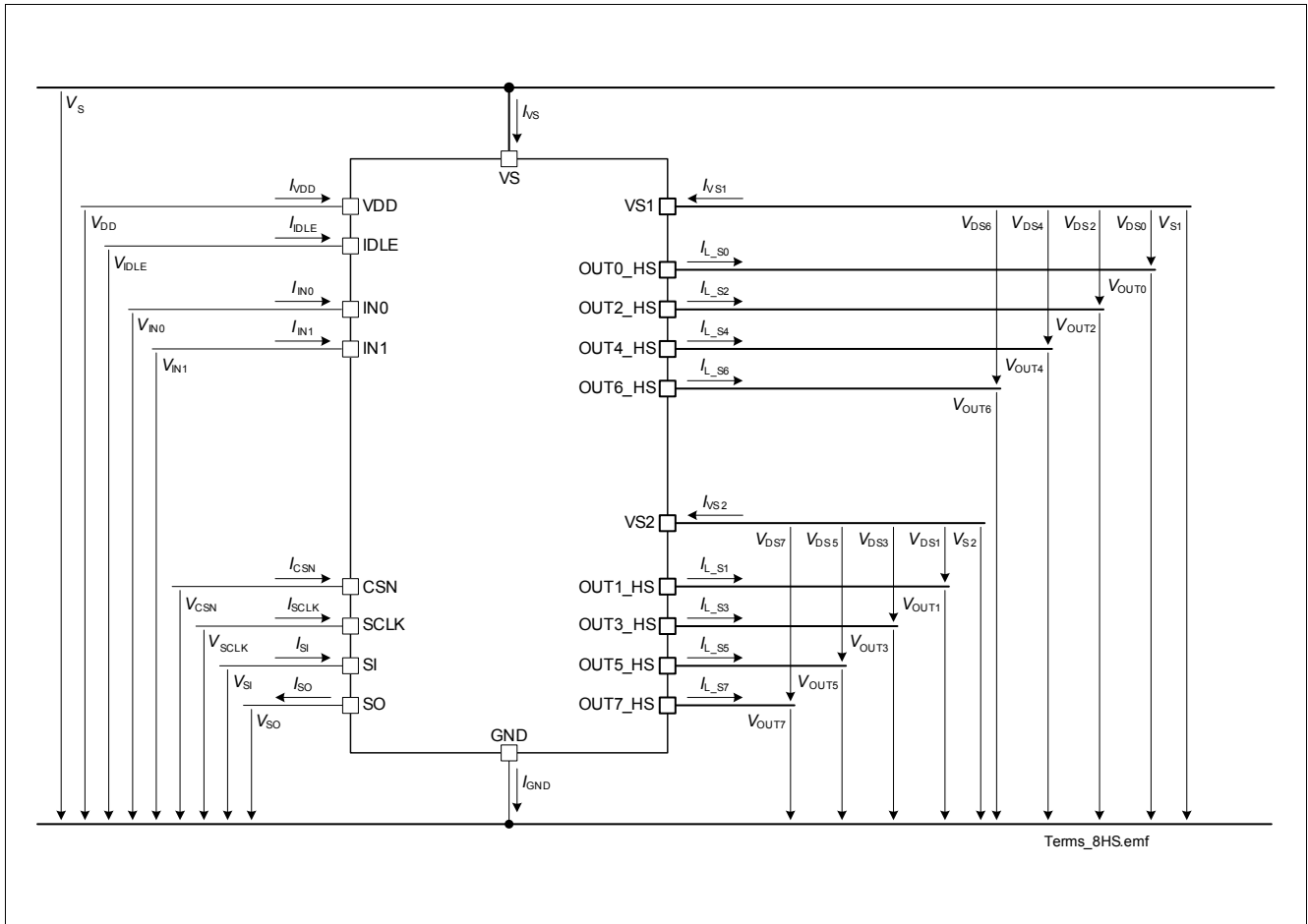


Figure 2 Voltage and Current definition

In all tables of electrical characteristics the channel related symbols without channel numbers are valid for each channel separately (e.g. V_{DS} specification is valid for $V_{DS0} \dots V_{DS7}$).

Furthermore, parameters relative to output current can be indicated without specifying whether the current is going into the Drain pin or going out of the Source pin, unless otherwise specified. For instance, nominal output current can be indicated in the following ways: $I_{L(NOM)}$ $I_{L_HS(NOM)}$ $I_{L_S(NOM)}$

All SPI registers bits are marked as follows: ADDR.PARAMETER (e.g. HWCR.RST) with the exception of the bits in the Diagnosis frames which are marked only with PARAMETER (e.g. UVRVS).

3 Pin Configuration

3.1 Pin Assignment

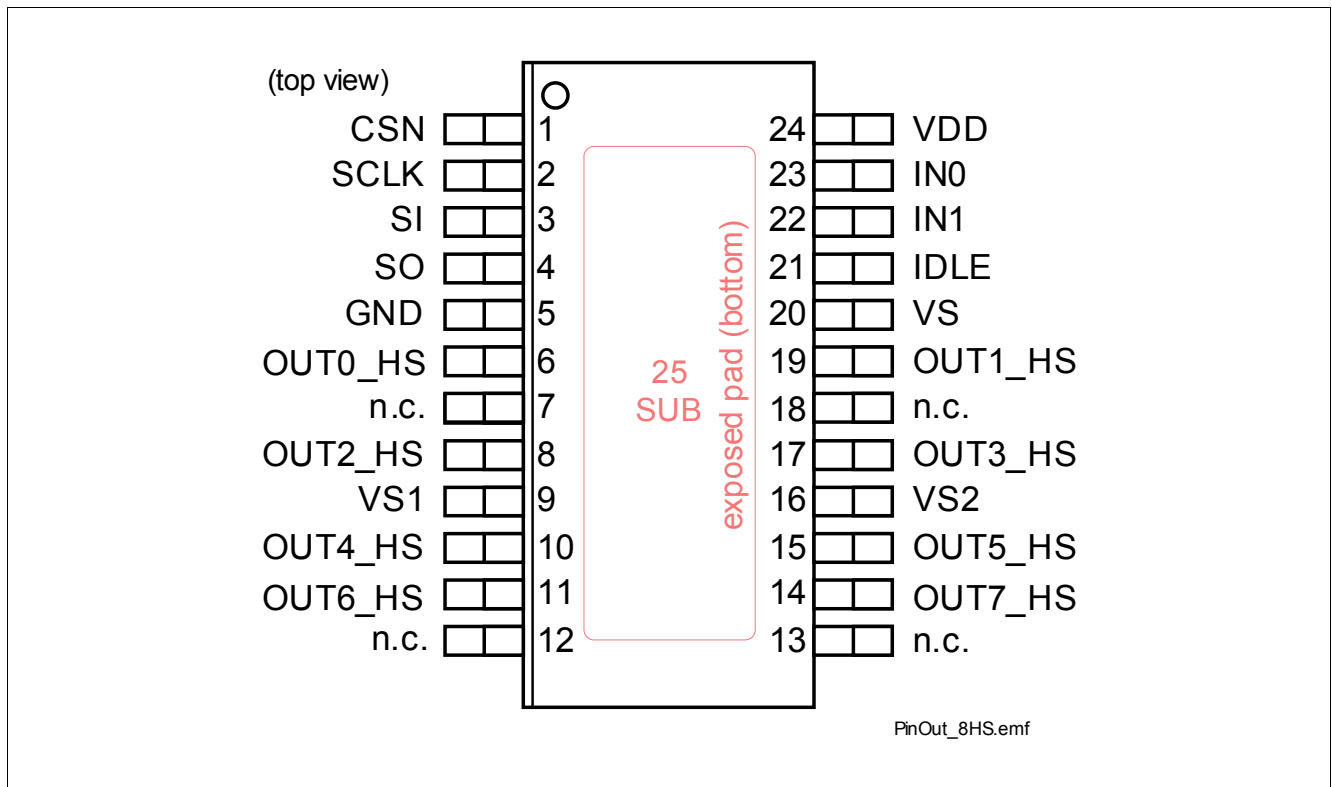


Figure 3 Pin Configuration TLE75080-EMH in PG-SSOP-24-9

3.2 Pin Definitions and Functions

Pin	Symbol	I/O	Function
Power Supply Pins			
20	VS	–	Analog supply V_S Positive supply voltage for power switches gate control (incl. protections)
9	VS1	–	Analog supply V_{S1} Positive supply voltage for power switches drain current (channels 0, 2, 4 and 6)
16	VS2	–	Analog supply V_{S2} Positive supply voltage for power switches drain current (channels 1, 3, 5 and 7)
24	VDD	–	Digital supply V_{DD} Supply voltage for SPI with support function to V_S
5	GND	–	Ground Ground connection
SPI Pins			
1	CSN	I	Chip Select “low” active, integrated pull-up to V_{DD}
2	SCLK	I	Serial Clock “high” active, integrated pull-down to ground
3	SI	I	Serial Input “high” active, integrated pull-down to ground
4	SO	O	Serial Output “Z” (tri-state) when CSN is “high”
Input and Stand-by Pins			
21	IDLE	I	Idle mode power mode control, “high” activates Idle mode, integrated pull-down to ground
23	IN0	I	Input pin 0 connected to channel 2 by default and in Limp Home mode, “high” active, integrated pull-down to ground
22	IN1	I	Input pin 1 connected to channel 3 by default and in Limp Home mode, “high” active, integrated pull-down to ground
Power Output Pins			
6	OUT0_HS	O	Source of high-side power transistor (channel 0)
8	OUT2_HS	O	Source of high-side power transistor (channel 2)
10	OUT4_HS	O	Source of high-side power transistor (channel 4)
11	OUT6_HS	O	Source of high-side power transistor (channel 6)
14	OUT7_HS	O	Source of high-side power transistor (channel 7)
15	OUT5_HS	O	Source of high-side power transistor (channel 5)
17	OUT3_HS	O	Source of high-side power transistor (channel 3)

Pin Configuration

Pin	Symbol	I/O	Function
19	OUT1_HS	O	Source of high-side power transistor (channel 1)
Not Connected pins / Cooling Tab			
7, 12, 13, 18	n.c.	–	Not Connected, internally not bonded
25	GND	–	Exposed pad It is recommended to connect it to PCB ground for cooling and EMC - not usable as electrical GND pin. Electrical ground must be provided by pin 5.

4 General Product Characteristics

4.1 Absolute Maximum Ratings

Table 2 Absolute Maximum Ratings ¹⁾
 $T_J = -40\text{ °C to }+150\text{ °C}$

all voltages with respect to ground, positive current flowing into pin (unless otherwise specified)

Voltage ranges specified for V_S apply also to V_{S1} and V_{S2} (unless otherwise specified)

Parameter	Symbol	Values			Unit	Note / Test Condition	Number
		Min.	Typ.	Max.			
Supply Voltages							
Analog Supply voltage	V_S	-0.3	–	28	V	–	P_4.1.1
Digital Supply voltage	V_{DD}	-0.3	–	5.5	V	–	P_4.1.2
Supply voltage for load dump protection	$V_{S(LD)}$	–	–	42	V	²⁾	P_4.1.3
Supply voltage for short circuit protection (single pulse)	$V_{S(SC)}$	0	–	28	V	–	P_4.1.4
Reverse polarity voltage	$-V_{S(REV)}$	–	–	16	V	³⁾ $T_{J(0)} = 25\text{ °C}$ $t \leq 2\text{ min}$ See Chapter 11 for general setup. $R_L = 70\ \Omega$ on all channels	P_4.1.5
Current through VS pin	I_{VS}	-10	–	10	mA	$t \leq 2\text{ min}$	P_4.1.7
Current through VDD pin	I_{VDD}	-50	–	10	mA	$t \leq 2\text{ min}$	P_4.1.8
Power Stages							
Load current	$ I_L $	–	–	$I_{L(OVL0)}$	A	single channel	P_4.1.9
Voltage at power transistor	V_{DS}	-0.3	–	42	V	–	P_4.1.10
Power transistor source voltage	V_{OUT_S}	-16	–	$V_{OUT_D} + 0.3$	V	–	P_4.1.11
Power transistor drain voltage ($V_{OUT_S} \geq 0\text{ V}$)	V_{OUT_D}	$V_{OUT_S} - 0.3$	–	42	V	–	P_4.1.12
Power transistor drain voltage ($V_{OUT_S} < 0\text{ V}$)	V_{OUT_D}	-0.3	–	42	V	–	P_4.1.59
Maximum energy dissipation single pulse	E_{AS}	–	–	50	mJ	⁴⁾ $T_{J(0)} = 25\text{ °C}$ $I_{L(0)} = 2 * I_{L(EAR)}$	P_4.1.13
Maximum energy dissipation single pulse	E_{AS}	–	–	25	mJ	⁴⁾ $T_{J(0)} = 150\text{ °C}$ $I_{L(0)} = 400\text{ mA}$	P_4.1.14

Table 2 Absolute Maximum Ratings (cont'd)¹⁾
 $T_J = -40\text{ °C to }+150\text{ °C}$

all voltages with respect to ground, positive current flowing into pin (unless otherwise specified)

 Voltage ranges specified for V_S apply also to V_{S1} and V_{S2} (unless otherwise specified)

Parameter	Symbol	Values			Unit	Note / Test Condition	Number
		Min.	Typ.	Max.			
Maximum energy dissipation repetitive pulses - $I_{L(EAR)}$	E_{AR}	–	–	10	mJ	4) $T_{J(0)} = 85\text{ °C}$ $I_{L(0)} = I_{L(EAR)}$ $2 \cdot 10^6$ cycles	P_4.1.15
IDLE pin							
Voltage at IDLE pin	V_{IDLE}	-0.3		5.5	V	–	P_4.1.23
Current through IDLE pin	I_{IDLE}	-0.75		0.75	mA	–	P_4.1.25
Current through IDLE pin	I_{IDLE}	-10.0		2.0	mA	$t \leq 2\text{ min.}$	P_4.1.26
Input Pins							
Voltage at input pins	V_{IN}	-0.3		5.5	V	–	P_4.1.28
Current through input pins	I_{IN}	-0.75		0.75	mA	–	P_4.1.30
Current through input pins	I_{IN}	-10.0		2.0	mA	$t \leq 2\text{ min.}$	P_4.1.31
SPI Pins							
Voltage at chip select pin	V_{CSN}	-0.3		5.5	V	–	P_4.1.33
Current through chip select pin	I_{CSN}	-0.75		0.75	mA	–	P_4.1.34
Current through chip select pin	I_{CSN}	-10.0		2.0	mA	$t \leq 2\text{ min.}$	P_4.1.35
Voltage at serial clock pin	V_{SCLK}	-0.3		5.5	V		P_4.1.37
Current through serial clock pin	I_{SCLK}	-0.75		0.75	mA	–	P_4.1.38
Current through serial clock pin	I_{SCLK}	-10.0		2.0	mA	$t \leq 2\text{ min.}$	P_4.1.39
Voltage at serial input pin	V_{SI}	-0.3		5.5	V		P_4.1.41
Current through serial input pin	I_{SI}	-0.75		0.75	mA	–	P_4.1.42
Current through serial input pin	I_{SI}	-10.0		2.0	mA	$t \leq 2\text{ min.}$	P_4.1.43
Voltage at serial output pin SO	V_{SO}	-0.3		$V_{DD}+0.3$	V		P_4.1.58
Current through serial output pin SO	I_{SO}	-0.75		0.75	mA		P_4.1.45
Current through serial output pin SO	I_{SO}	-2.0		10.0	mA	$t \leq 2\text{ min.}$	P_4.1.46
Temperatures							
Junction Temperature	T_J	-40	–	150	°C	–	P_4.1.48
Storage Temperature	T_{stg}	-55	–	150	°C	–	P_4.1.49
ESD Susceptibility							
ESD Susceptibility HBM OUT pins vs. V_S or GND	V_{ESD}	-4	–	4	kV	5) HBM	P_4.1.50
ESD Susceptibility HBM other pins	V_{ESD}	-2	–	2	kV	5) HBM	P_4.1.51

Table 2 Absolute Maximum Ratings (cont'd)¹⁾

$T_J = -40\text{ °C to }+150\text{ °C}$

all voltages with respect to ground, positive current flowing into pin (unless otherwise specified)

Voltage ranges specified for V_S apply also to V_{S1} and V_{S2} (unless otherwise specified)

Parameter	Symbol	Values			Unit	Note / Test Condition	Number
		Min.	Typ.	Max.			
ESD Susceptibility CDM Pin 1, 12, 13, 24 (corner pins)	V_{ESD}	-750	–	750	V	⁶⁾ CDM	P_4.1.52
ESD Susceptibility CDM	V_{ESD}	-500	–	500	V	⁶⁾ CDM	P_4.1.54

- 1) Not subject to production test, specified by design.
- 2) For a duration of $t_{on} = 400\text{ ms}$; $t_{on}/t_{off} = 10\%$; limited to 100 pulses
- 3) Device is mounted on a FR4 2s2p board according to Jedec JESD51-2,-5,-7 at natural convection; the Product (Chip+Package) was simulated on a 76.2 * 114.3 * 1.5 mm board with 2 inner copper layers (2 * 70 μm Cu, 2 * 35 μm Cu). Where applicable a thermal via array under the exposed pad contacted the first inner copper layer.
- 4) Pulse shape represents inductive switch off: $I_L(t) = I_L(0) \times (1 - t / t_{pulse})$; $0 < t < t_{pulse}$
- 5) ESD susceptibility, HBM according to ANSI/ESDA/JEDEC JS001 (1.5k Ω , 100 pF)
- 6) ESD susceptibility, Charged Device Model "CDM" ESDA STM5.3.1 or ANSI/ESD S.5.3.1

Notes

1. Stresses above the ones listed here may cause permanent damage to the device. Exposure to absolute maximum rating conditions for extended periods may affect device reliability.
2. Integrated protection functions are designed to prevent IC destruction under fault conditions described in the data sheet. Fault conditions are considered as "outside" normal operating range. Protection functions are not designed for continuous repetitive operation.

4.2 Functional Range

Table 3 Functional range

Parameter	Symbol	Values			Unit	Note / Test Condition	Number
		Min.	Typ.	Max.			
Supply Voltage Range for Normal Operation	$V_{S(NOR)}$	7	–	18	V	–	P_4.2.1
Upper Supply Voltage Range for Extended Operation	$V_{S(EXT,UP)}$	18	–	28	V	Parameter deviation possible	P_4.2.2
Lower Supply Voltage Range for Extended Operation	$V_{S(EXT,LOW)}$	3	–	7	V	Parameter deviation possible	P_4.2.3
Junction Temperature	T_J	-40	–	150	°C	–	P_4.2.4
Logic supply voltage	V_{DD}	3	–	5.5	V	–	P_4.2.5

Note: Within the functional or operating range, the IC operates as described in the circuit description. The electrical characteristics are specified within the conditions given in the Electrical Characteristics table.

4.3 Thermal Resistance

Note: This thermal data was generated in accordance with JEDEC JESD51 standards. For more information, go to www.jedec.org.

Table 4 Thermal Resistance

Parameter	Symbol	Values			Unit	Note / Test Condition	Number
		Min.	Typ.	Max.			
Junction to Soldering Point	R_{thJSP}	–	5	7	K/W	¹⁾ measured to exposed pad (pin 25)	P_4.3.4
Junction to Ambient	R_{thJA}	–	32	–	K/W	¹⁾²⁾	P_4.3.5

1) not subject to production test, specified by design

2) Specified R_{thJA} value is according to Jedec JESD51-2,-5,-7 at natural convection on FR4 2s2p board; the Product (Chip+Package) was simulated on a 76.2 * 114.3 * 1.5 mm board with 2 inner copper layers (2 * 70 μ m Cu, 2 * 35 μ m Cu). Where applicable a thermal via array under the exposed pad contacted the first inner copper layer.

4.3.1 PCB set up

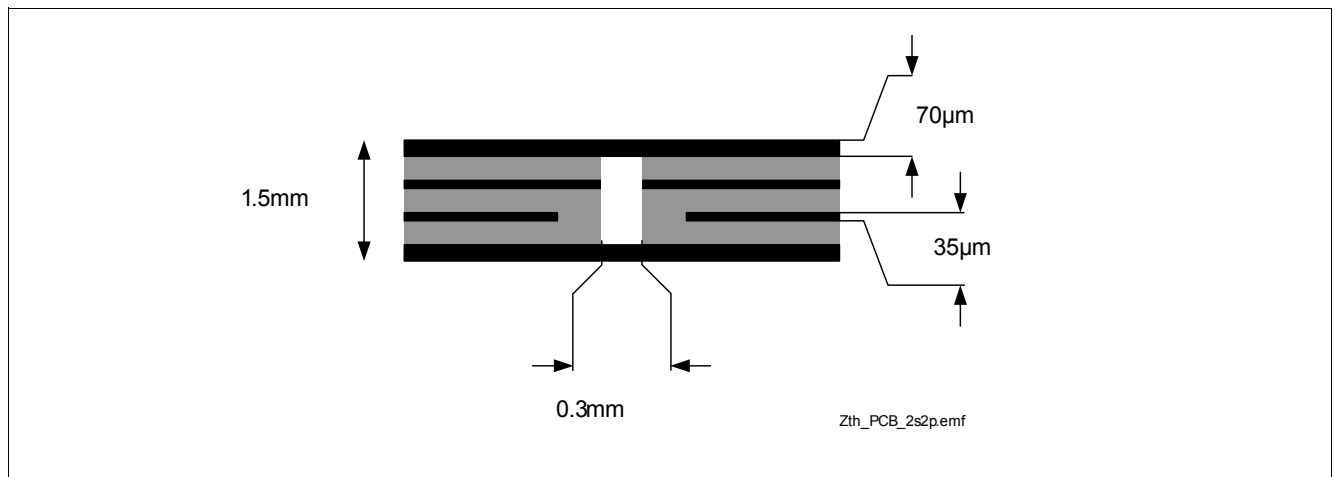


Figure 4 2s2p PCB Cross Section

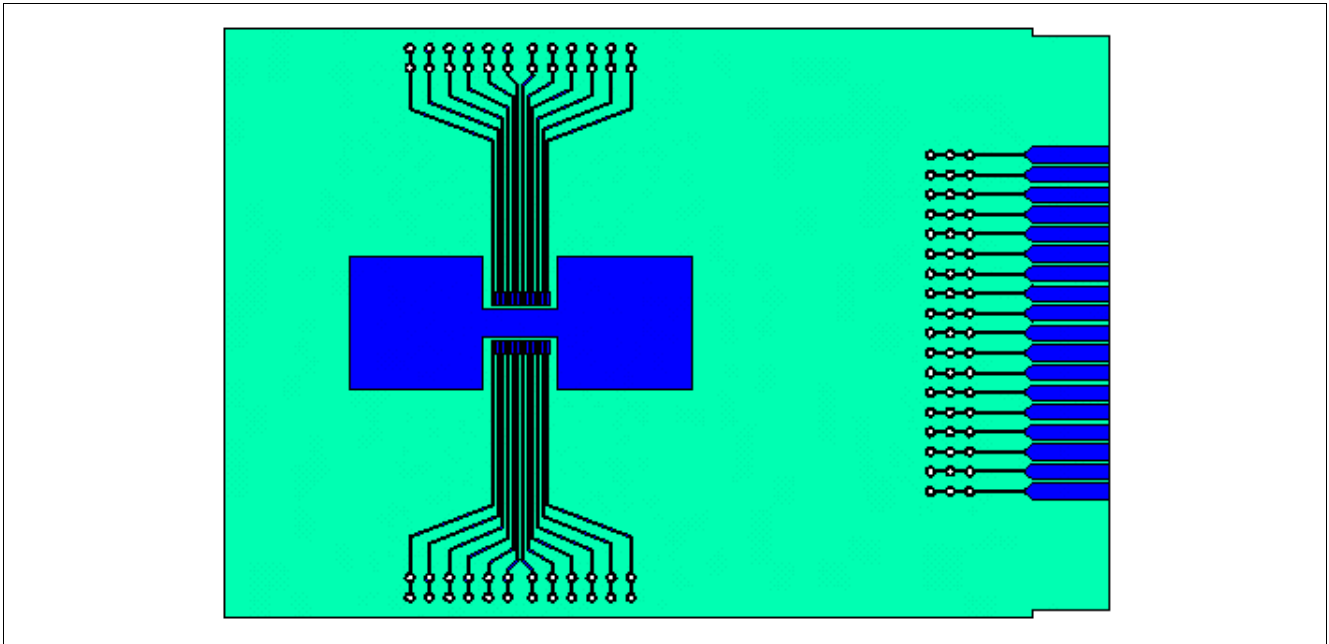


Figure 5 PC Board for Thermal Simulation with 600 mm² Cooling Area

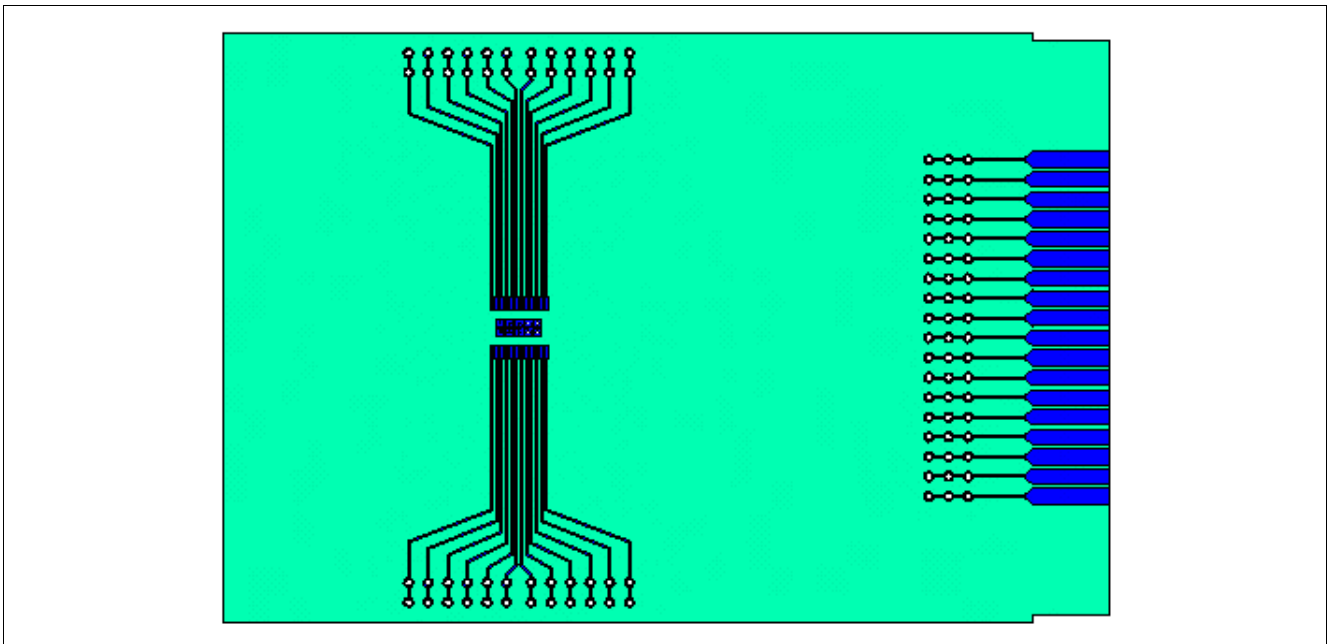


Figure 6 PC Board for Thermal Simulation with 2s2p Cooling Area

4.3.2 Thermal Impedance

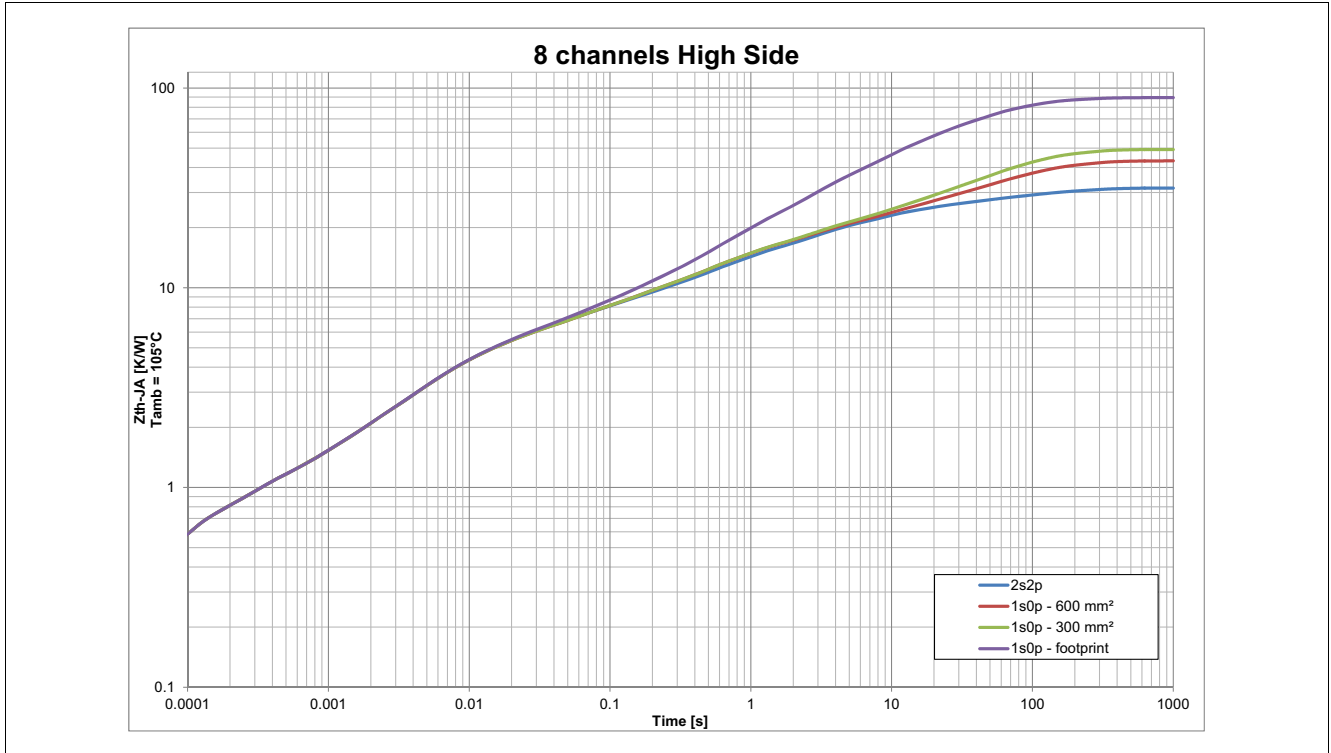


Figure 7 Typical Thermal Impedance. PCB setup according Chapter 4.3.1

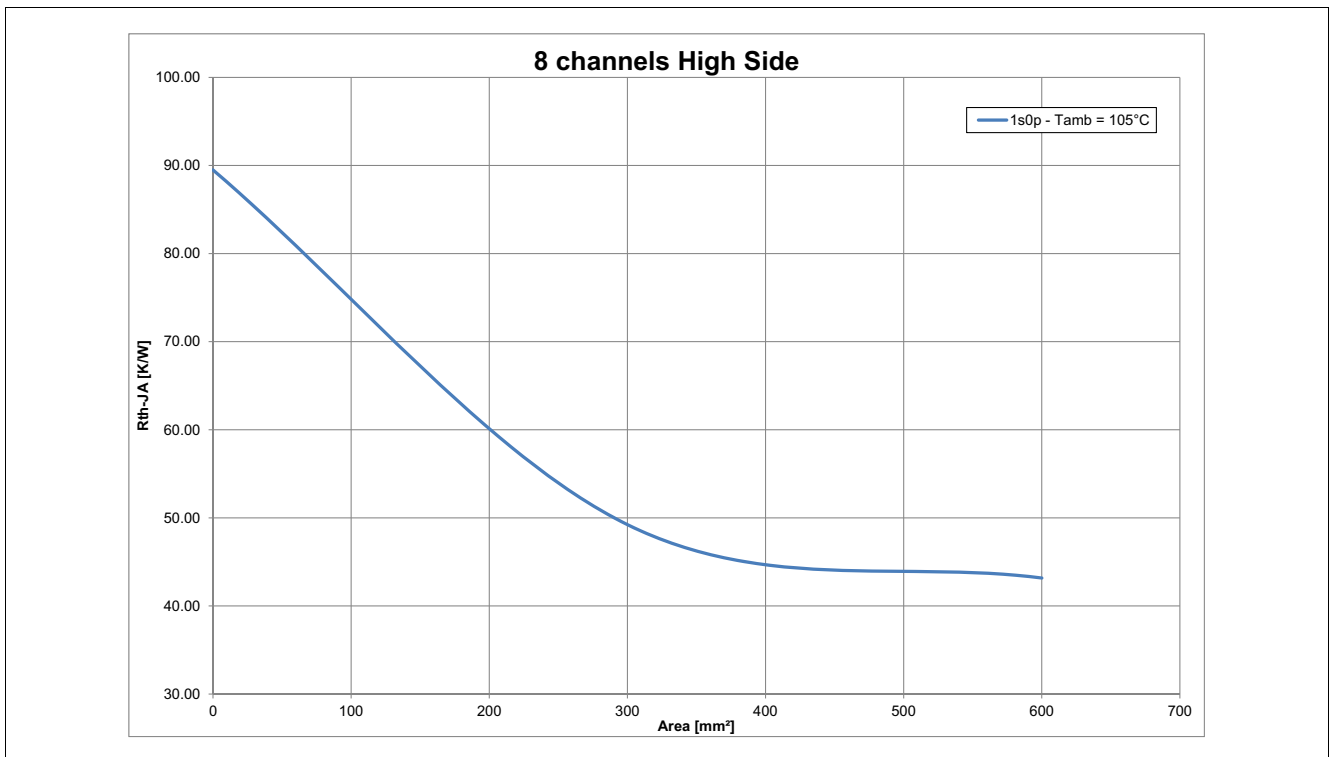


Figure 8 Typical Thermal Resistance. PCB setup 1s0p

5 Control Pins

The device has three pins (IN0, IN1 and IDLE) to control directly the device without using SPI.

5.1 Input pins

TLE75080-EMH has two input pins available. Each input pin is connected by default to one channel (IN0 to channel 2, IN1 to channel 3). Input Mapping Registers **MAPIN0** and **MAPIN1** can be programmed to connect additional or different channels to each input pin, as shown in **Figure 9**. The signals driving the channels are an OR combination between **OUT** register status, PWM Generators (according to PWM Generator Output Mapping status), IN0 and IN1 (according to Input Mapping registers status). See **Chapter 7.5** for further details.

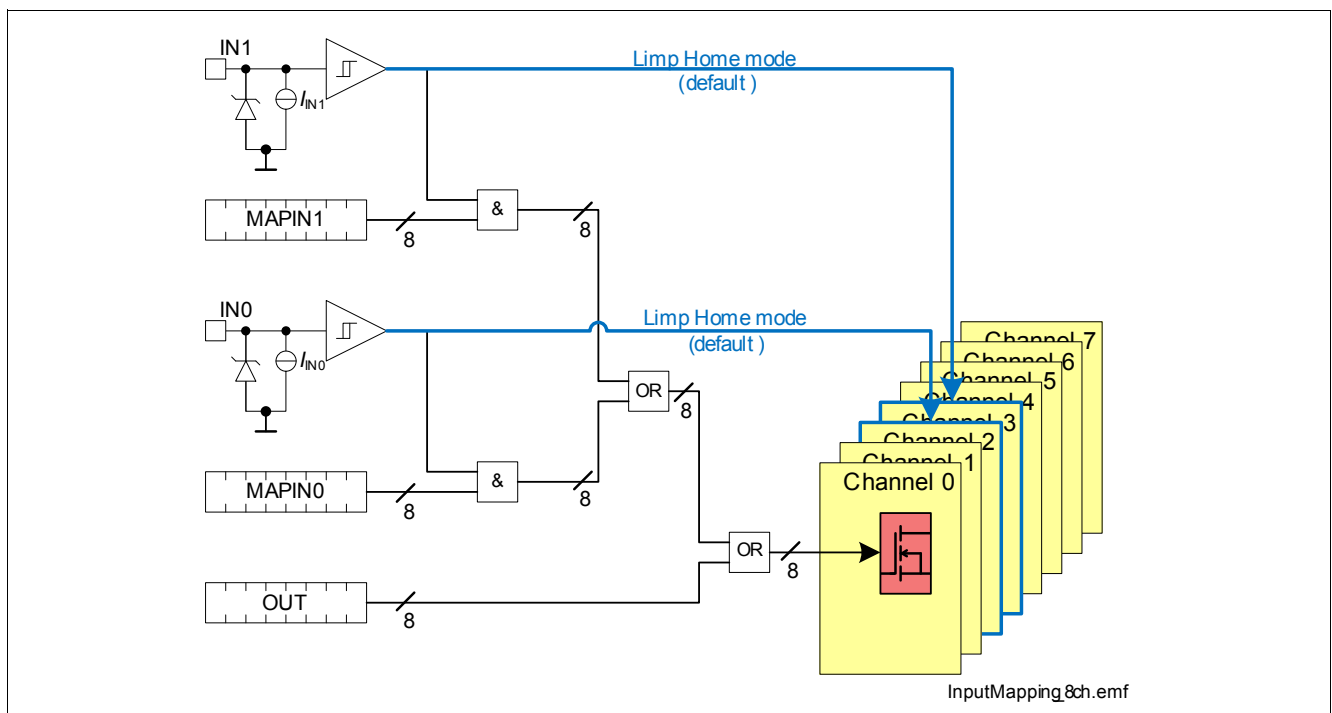


Figure 9 Input Mapping

The logic level of the input pins can be monitored via the Input Status Monitor Register (**INST**). The Input Status Monitor is operative also when TLE75080-EMH is in Limp Home mode. If one of the Input pins is set to “high” and the IDLE pin is set to “low”, the device switches into Limp Home mode and activates the channel mapped by default to the input pins. See **Chapter 6.1.5** for further details.

5.2 IDLE pin

The IDLE pin is used to bring the device into Sleep mode operation when is set to “low” and all input pins are set to “low”. When IDLE pin is set to “low” while one of the input pins is set to “high” the device enters Limp Home mode. To ensure a proper mode transition, IDLE pin must be set for at least $t_{IDLE2SLEEP}$ (P_6.3.54, transition from “high” to “low”) or $t_{SLEEP2IDLE}$ (P_6.3.53, transition from “low” to “high”).

Setting the IDLE pin to “low” has the following consequences:

- All registers in the SPI are reset to default values
- V_{DD} and V_S Undervoltage detection circuits are disabled to decrease current consumption (if both inputs are set to “low”)

Control Pins

- No SPI communication is allowed (SO pin remains in high impedance state also when CSN pin is set to “low”) if both input pins are set to “low”

5.3 Electrical Characteristics Control Pins

Table 5 Electrical Characteristics: Control Pins

$V_{DD} = 3\text{ V to }5.5\text{ V}$, $V_S = 7\text{ V to }18\text{ V}$, $T_J = -40\text{ °C to }+150\text{ °C}$ (unless otherwise specified)

Typical values: $V_{DD} = 5\text{ V}$, $V_S = 13.5\text{ V}$, $T_J = 25\text{ °C}$

Parameter	Symbol	Values			Unit	Note / Test Condition	Number
		Min.	Typ.	Max.			
IDLE pin							
L-input level	$V_{IDLE(L)}$	0		0.8	V	–	P_5.3.1
H-input level	$V_{IDLE(H)}$	2.0		5.5	V	–	P_5.3.2
L-input current	$I_{IDLE(L)}$	5	12	20	μA	$V_{IDLE} = 0.8\text{ V}$	P_5.3.3
H-input current	$I_{IDLE(H)}$	14	28	45	μA	$V_{IDLE} = 2.0\text{ V}$	P_5.3.4
Input Pins							
L-input level	$V_{IN(L)}$	0		0.8	V	–	P_5.3.5
H-input level	$V_{IN(H)}$	2.0		5.5	V	–	P_5.3.6
L-input current	$I_{IN(L)}$	5	12	20	μA	$V_{IN} = 0.8\text{ V}$	P_5.3.7
H-input current	$I_{IN(H)}$	14	28	45	μA	$V_{IN} = 2.0\text{ V}$	P_5.3.8

6 Power Supply

The TLE75080-EMH is supplied by four supply voltages:

- V_S (analog supply voltage used also for the logic)
- V_{S1} (analog supply voltage used as drain for channels 0, 2, 4 and 6)
- V_{S2} (analog supply voltage used as drain for channels 1, 3, 5 and 7)
- V_{DD} (digital supply voltage)

The V_S supply line is connected to a battery feed and used, in combination with V_{DD} supply, for the driving circuitry of the power stages. In situations where V_S voltage drops below V_{DD} voltage (for instance during cranking events down to 3.0 V), an increased current consumption may be observed at VDD pin.

V_S and V_{DD} supply voltages have an undervoltage detection circuit, which prevents the activation of the associated function in case the measured voltage is below the undervoltage threshold. More in detail:

- An undervoltage on both V_S and V_{DD} supply voltages prevents the activation of the power stages and any SPI communication (the SPI registers are reset)
- An undervoltage on V_{DD} supply prevents any SPI communication. SPI read/write registers are reset to default values.
- An undervoltage on V_S supply forces the TLE75080-EMH to drain all needed current for the logic from V_{DD} supply. All channels are disabled, and are enabled again as soon as $V_S \geq V_{S(OP)}$.

Figure 10 shows a basic concept drawing of the interaction between supply pins VS and VDD, the output stage drivers and SO supply line.

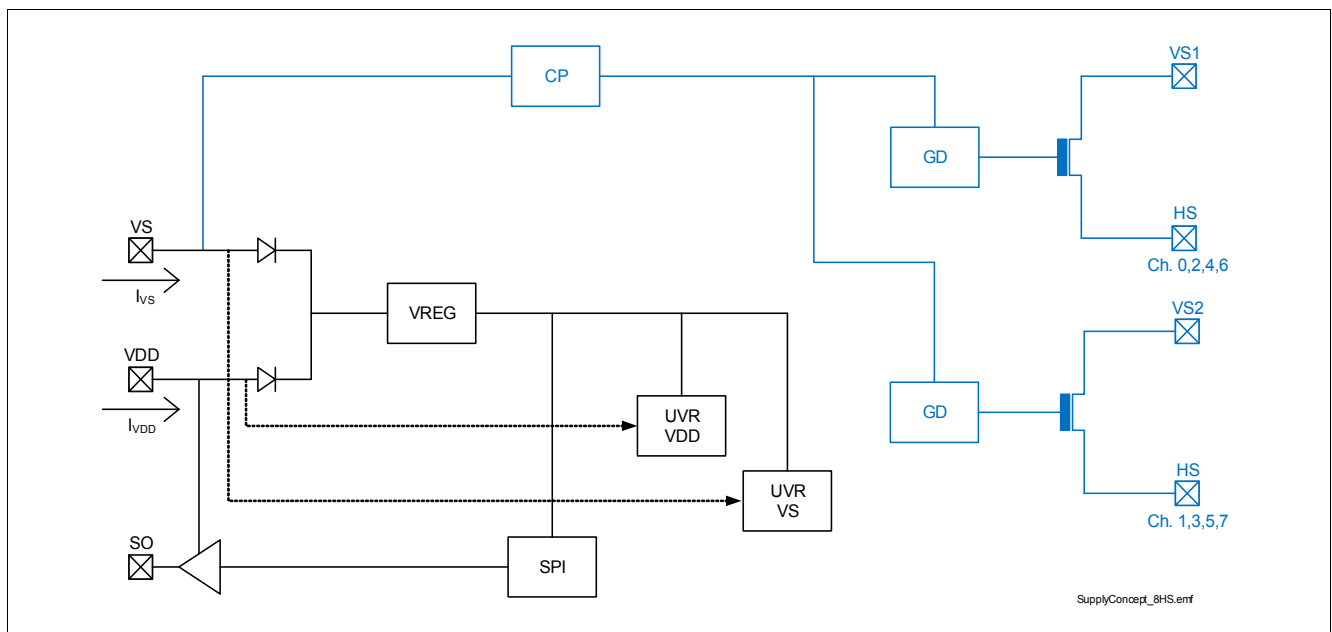


Figure 10 TLE75080-EMH Internal Power Supply concept

When $3.0\text{ V} \leq V_S \leq V_{DD} - V_{SDIFF}$ TLE75080-EMH operates in “Cranking Operative Range” (COR). In this condition the current consumption from VDD pin increases while it decreases from VS pin where the total current consumption remains within the specified limits. **Figure 11** shows the voltage levels at VS pin where the device goes in and out of COR. During the transition to and from COR operative region, I_{VS} and I_{VDD} change between values defined for normal operation and for COR operation. The sum of both current remains within limits specified in “Overall current consumption” section (see **Table 8**).

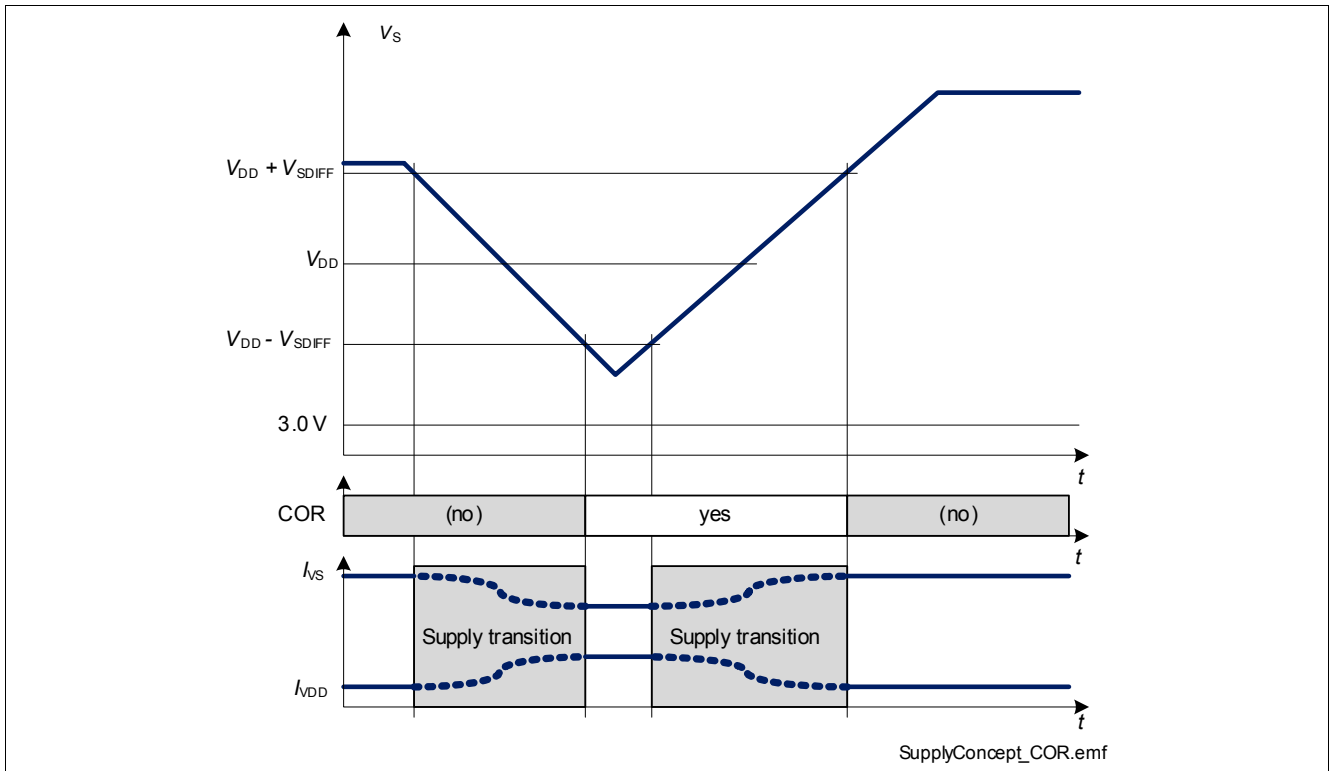


Figure 11 “Cranking Operative Range”

Furthermore, when $V_{S(UV)} \leq V_S \leq V_{S(OP)}$ it may be not possible to switch ON a channel that was previously OFF. All channels that are already ON keep their state unless they are switched OFF via SPI or via INn pins. An overview of channel behavior according to different V_S and V_{DD} supply voltages is shown in [Table 6](#) (the table is valid after a successful power-up, see [Chapter 6.1.1](#) for more details).

Table 6 Device capability as function of V_S and V_{DD}

	$V_{DD} \leq V_{DD(UV)}$ ($V_{DD(UV)} = P_6.3.25$)	$V_{DD} = V_{DD(LOP)}$ ($V_{DD(LOP)} = P_6.3.24$)	$V_{DD} > V_{DD(LOP)}$
$V_S \leq 3.0\text{ V}$	channels cannot be controlled	channels cannot be controlled	channels cannot be controlled
$3.0\text{ V} = V_{S(UV),max}$ ($P_6.3.1$)	SPI registers reset	SPI registers available	SPI registers available
	SPI communication not available ($f_{SCLK} = 0\text{ MHz}$)	SPI communication possible ($f_{SCLK} = 1\text{ MHz}$) ($P_10.4.34$)	SPI communication possible ($f_{SCLK} = 5\text{ MHz}$) ($P_10.4.22$)
	Limp Home mode not available	Limp Home mode available (channels are OFF)	Limp Home mode available (channels are OFF)
$3.0\text{ V} < V_S \leq V_{S(OP)}$ ($V_{S(OP)} = P_6.3.2$)	channels cannot be controlled by SPI	channels can be switched ON and OFF (SPI control) ¹⁾ ($R_{DS(ON)}$ deviations possible)	channels can be switched ON and OFF (SPI control) ¹⁾ ($R_{DS(ON)}$ deviations possible)
	SPI registers reset	SPI registers available	SPI registers available
	SPI communication not available ($f_{SCLK} = 0\text{ MHz}$)	SPI communication possible ($f_{SCLK} = 1\text{ MHz}$) ($P_10.4.34$)	SPI communication possible ($f_{SCLK} = 5\text{ MHz}$) ($P_10.4.22$)
	Limp Home mode available ¹⁾ ($R_{DS(ON)}$ deviations possible)	Limp Home mode available ¹⁾ ($R_{DS(ON)}$ deviations possible)	Limp Home mode available ¹⁾ ($R_{DS(ON)}$ deviations possible)
$V_S \geq V_{S(OP)}$	channels cannot be controlled by SPI	channels can be switched ON and OFF (small $R_{DS(ON)}$ dev. possible when $V_S = V_{S(EXT,LOW)}$)	channels can be switched ON and OFF (small $R_{DS(ON)}$ dev. possible when $V_S = V_{S(EXT,LOW)}$)
	SPI registers reset	SPI registers available	SPI registers available
	SPI communication not available ($f_{SCLK} = 0\text{ MHz}$)	SPI communication possible ($f_{SCLK} = 5\text{ MHz}$) ($P_10.4.22$)	SPI communication possible ($f_{SCLK} = 5\text{ MHz}$) ($P_10.4.22$)
	Limp Home mode available (small $R_{DS(ON)}$ dev. possible when $V_S = V_{S(EXT,LOW)}$)	Limp Home mode available (small $R_{DS(ON)}$ dev. possible when $V_S = V_{S(EXT,LOW)}$)	Limp Home mode available (small $R_{DS(ON)}$ dev. possible when $V_S = V_{S(EXT,LOW)}$)

1) undervoltage condition on V_S must be considered - see [Chapter 6.2.1](#) for more details

6.1 Operation Modes

TLE75080-EMH has the following operation modes:

- Sleep mode
- Idle mode
- Active mode
- Limp Home mode

The transition between operation modes is determined according to following levels and states:

- logic level at IDLE pin
- logic level at INn pins
- `OUT . OUTn` bits state
- `HWCR . ACT` bit state
- `HWCR_PWM . PWM0` and `HWCR_PWM . PWM1` bits state

The state diagram including the possible transitions is shown in [Figure 12](#). The behaviour of TLE75080-EMH as well as some parameters may change in dependence from the operation mode of the device. Furthermore, due to the undervoltage detection circuitry which monitors V_S and V_{DD} supply voltages, some changes within the same operation mode can be seen accordingly.

The operation mode of the TLE75080-EMH can be observed by:

- status of output channels
- status of SPI registers
- current consumption at VDD pin (I_{VDD})
- current consumption at VS pin (I_{VS})

The default operation mode to switch ON the loads is Active mode. If the device is not in Active mode and a request to switch ON one or more outputs comes (via SPI or via Input pins), it will switch into Active or Limp Home mode, according to IDLE pin status. Due to the time needed for such transitions, output turn-on time t_{ON} will be extended due to the mode transition latency.

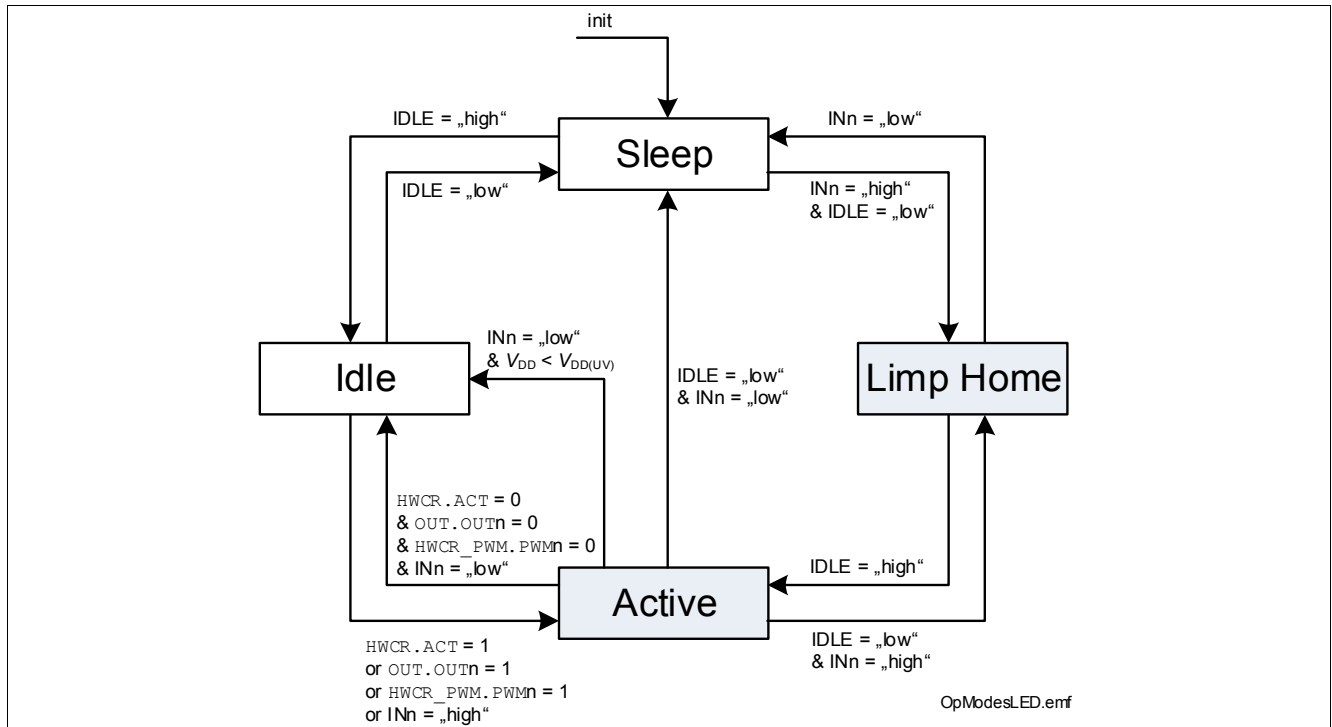


Figure 12 Operation Mode state diagram

Table 7 shows the correlation between device operation modes, V_S and V_{DD} supply voltages, and state of the most important functions (channels operativity, SPI communication and SPI registers).

Table 7 Device function in relation to operation modes, V_S and V_{DD} voltages

Operation Mode	Function	Undervoltage condition on V_S ¹⁾ $V_{DD} \leq V_{DD(UV)}$	Undervoltage condition on V_S $V_{DD} > V_{DD(UV)}$	V_S not in undervoltage $V_{DD} \leq V_{DD(UV)}$	V_S not in undervoltage $V_{DD} > V_{DD(UV)}$
Sleep	Channels	not available	not available	not available	not available
	SPI comm.	not available	not available	not available	not available
	SPI registers	reset	reset	reset	reset
Idle	Channels	not available	not available	not available	not available
	SPI comm.	not available	✓	not available	✓
	SPI registers	reset	✓	reset	✓
Active	Channels	not available	not available	✓ (IN pins only)	✓
	SPI comm.	not available	✓	not available	✓
	SPI registers	reset	✓	reset	✓
Limp Home	Channels	not available	not available	✓ (IN pins only)	✓ (IN pins only)
	SPI comm.	not available	✓ (read-only)	not available	✓ (read-only)
	SPI registers	reset	✓ (read-only) ²⁾	reset	✓ (read-only) ²⁾

1) see Chapter 6.2.1 for more details

2) see Chapter 6.1.5 for a detailed overview

6.1.1 Power-up

The Power-up condition is satisfied when one of the supply voltages (V_S or V_{DD}) is applied to the device and the INn or IDLE pins are set to “high”. If V_S is above the threshold $V_{S(OP)}$ or if V_{DD} is above the threshold $V_{DD(LOP)}$ the internal power-on signal is set.

6.1.2 Sleep mode

When TLE75080-EMH is in Sleep mode, all outputs are OFF and the SPI registers are reset, independently from the supply voltages. The current consumption is minimum. See parameters $I_{VDD(SLEEP)}$ and $I_{VS(SLEEP)}$, or parameter I_{SLEEP} for the whole device.

6.1.3 Idle mode

In Idle mode, the current consumption of the device can reach the limits given by parameters $I_{VDD(IDLE)}$ and $I_{VS(IDLE)}$, or by parameter I_{IDLE} for the whole device. The internal voltage regulator is working. Diagnosis functions are not available. The output channels are switched OFF, independently from the supply voltages. When V_{DD} is available, the SPI registers are working and SPI communication is possible. In Idle mode the **ERRn** bits are not cleared for functional safety reasons.

6.1.4 Active mode

Active mode is the normal operation mode of TLE75080-EMH when no Limp Home condition is set and it is necessary to drive some or all loads. Voltage levels of V_{DD} and V_S influence the behavior as described at the beginning of **Chapter 6**. Device current consumption is specified with $I_{VDD(ACTIVE)}$ and $I_{VS(ACTIVE)}$ (I_{ACTIVE} for the whole device). The device enters Active mode when IDLE pin is set to “high” and one of the input pins is set to “high” or one **OUT . OUTn** bit is set to “1”. If **HWCR . ACT** is set to “0”, the device returns to Idle mode as soon as all input pins are set to “low” and **OUT . OUTn** bits are set to “0”. If **HWCR . ACT** is set to “1”, the device remains in Active mode independently of the status of input pins and **OUT . OUTn** bits. An undervoltage condition on V_{DD} supply brings the device into Idle mode, if all input pins are set to “low”. Even if the registers **MAPIN0** and **MAPIN1** are both set to “00_H” but one of the input pins INn is set to “high”, the device goes into Active mode.

6.1.5 Limp Home mode

TLE75080-EMH enters Limp Home mode when IDLE pin is “low” and one of the input pins is set to “high”, switching ON the channel connected to it. SPI communication is possible but only in read-only mode (SPI registers can be read but cannot be written). More in detail:

- **UVRVS** and **LOPVDD** are set to “1”
- **MODE** bits are set to “01_B” (Limp Home mode)
- **TER** bit is set to “1” on the first SPI command after entering Limp Home mode. Afterwards it works normally
- **OLON** and **LOFF** bits is set to “0”
- **ERRn** bits work normally
- **DIAG_ OSM . OUTn** bits can be read and work normally
- All other registers are set to their default value and cannot be programmed as long as the device is in Limp Home mode

See **Table 6** for a detailed overview of supply voltage conditions required to switch ON channels 2 and 3 during Limp Home. All other channels are OFF.

A transmission of SPI commands during transition from Active to Limp Home mode or Limp Home to Active mode may result in undefined SPI responses.

6.1.6 Definition of Power Supply modes transition times

The channel turn-ON time is as defined by parameter t_{ON} when TLE75080-EMH is in Active mode or in Limp Home mode. In all other cases, it is necessary to add the transition time required to reach one of the two aforementioned Power Supply modes (as shown in Figure 13).

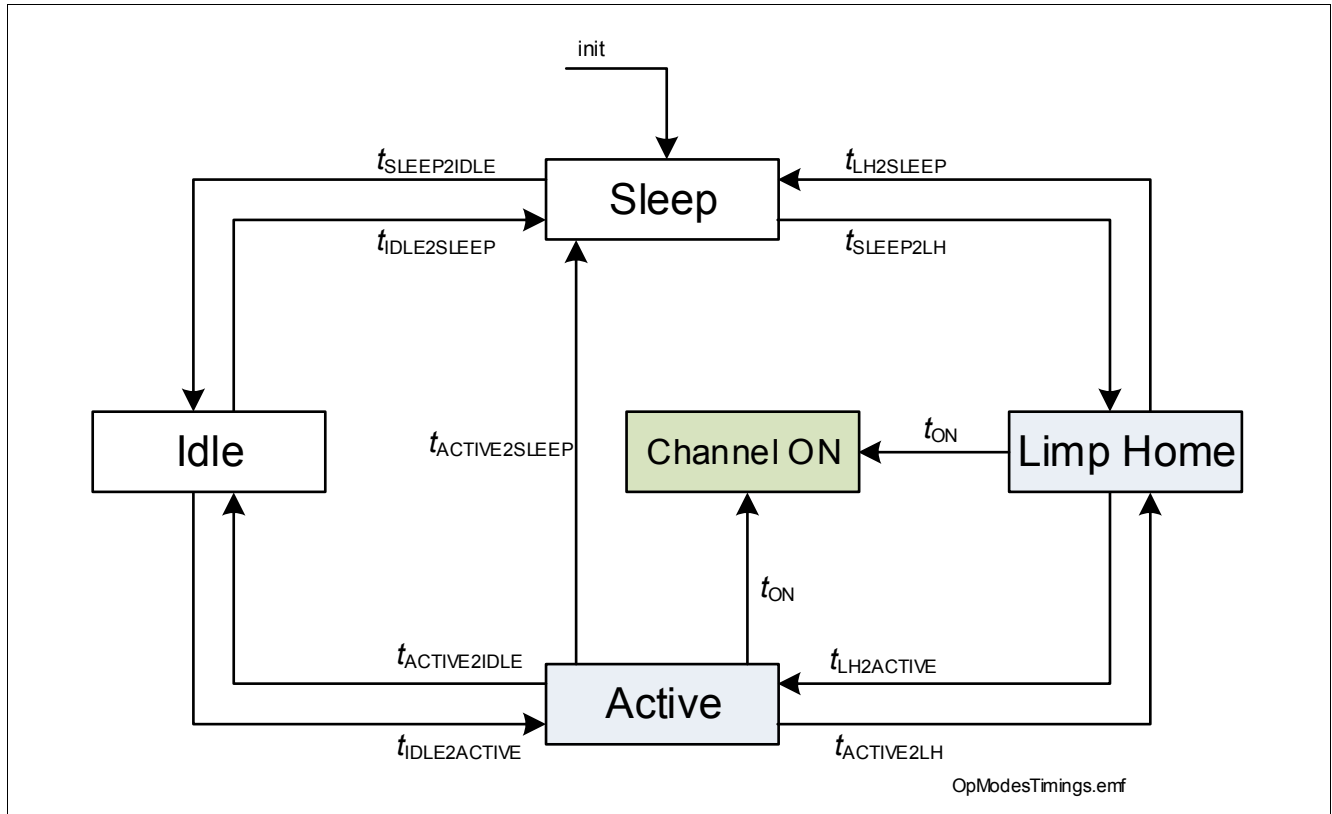


Figure 13 Transition Time diagram

6.2 Reset condition

One of the following 3 conditions resets the SPI registers to the default value:

- V_{DD} is not present or below the undervoltage threshold $V_{DD(UV)}$
- IDLE pin is set to “low”
- a reset command (**HWCR.RST** set to “1”) is executed
 - **ERRn** bits are not cleared by a reset command (for functional safety)
 - **UVRVS** and **LOPVDD** bits are cleared by a reset command

In particular, all channels are switched OFF (if there are no input pin set to “high”) and the Input Mapping configuration is reset.

6.2.1 Undervoltage on V_S

Between $V_{S(UV)}$ and $V_{S(OP)}$ the undervoltage mechanism is triggered. If the device is operative and the supply voltage drops below the undervoltage threshold $V_{S(UV)}$, the logic set the bit **UVRVS** to “1”. As soon as the supply voltage V_S is above the minimum voltage operative threshold $V_{S(OP)}$, the bit **UVRVS** is set to “0” after the first Standard Diagnosis readout. Undervoltage condition on V_S influences the status of the channels, as described in Table 6. Figure 14 sketches the undervoltage behavior (the “ $V_S - V_{DS}$ ” line refers to a channel which is programmed to be ON).

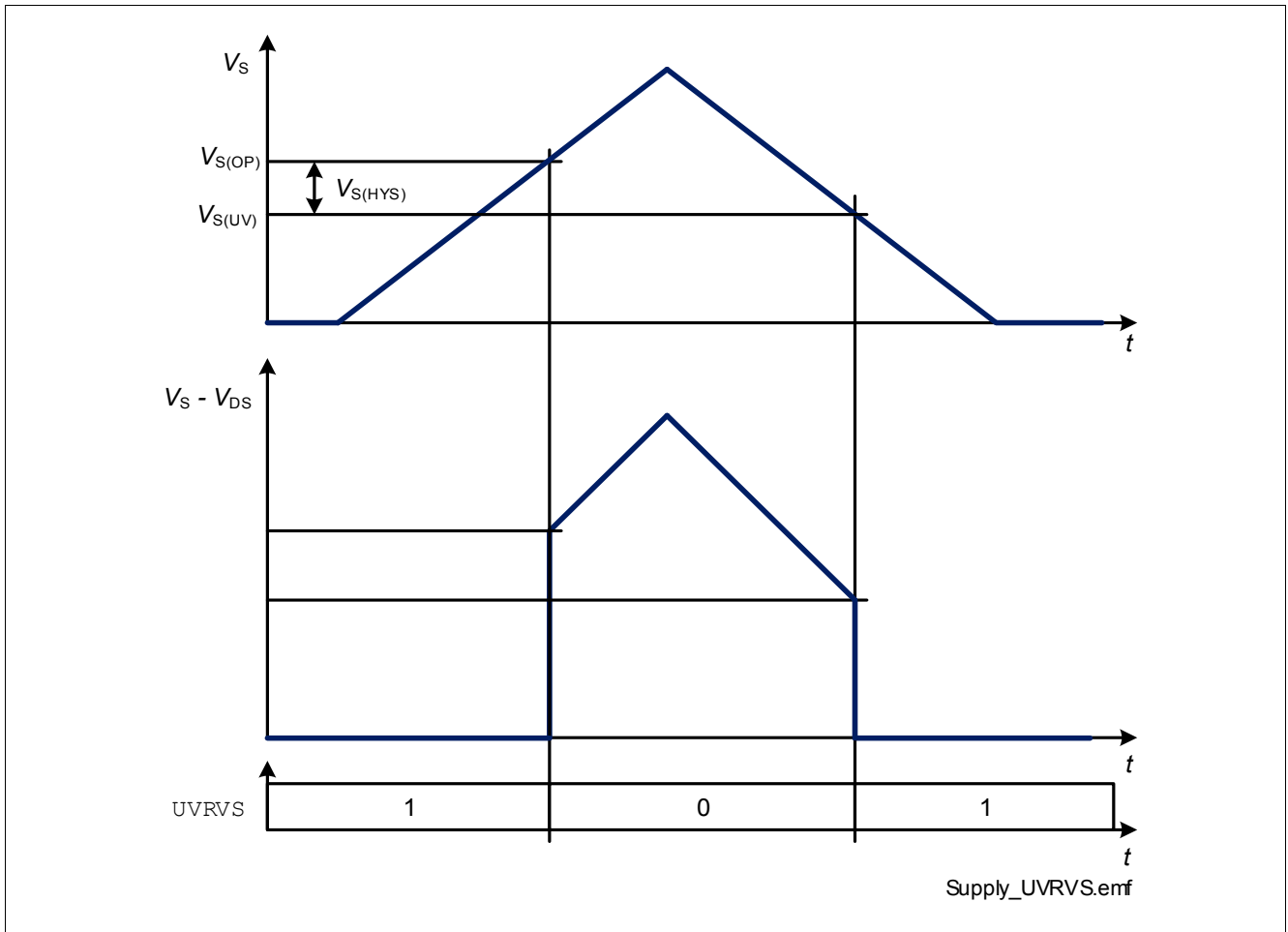


Figure 14 V_S Undervoltage Behavior

6.2.2 Low Operating Power on V_{DD}

When V_{DD} supply voltage is in the range indicated by $V_{DD(LOP)}$, the bit **LOPVDD** is set to “1”. As soon as $V_{DD} > V_{DD(LOP)}$ the bit **LOPVDD** is set to “0” after the first Standard Diagnosis readout.

If V_{DD} supply voltage is not present, a voltage applied to pins CSN or SO can supply the internal logic (not recommended in normal operation due to internal design limitations).

6.3 Electrical Characteristics Power Supply

Table 8 Electrical Characteristics Power Supply

$V_{DD} = 3\text{ V to }5.5\text{ V}$, $V_S = 7\text{ V to }18\text{ V}$, $T_J = -40\text{ °C to }+150\text{ °C}$, all voltages with respect to ground, positive currents flowing as described in [Figure 2](#) (unless otherwise specified)

Typical values: $V_{DD} = 5\text{ V}$, $V_S = 13.5\text{ V}$, $T_J = 25\text{ °C}$

Parameter	Symbol	Values			Unit	Note / Test Condition	Number
		Min.	Typ.	Max.			
VS pin							
Analog supply undervoltage shutdown	$V_{S(UV)}$	1.5	–	3.0	V	OUTn = ON from $V_{DS} \leq 1\text{ V}$ to $UVRV_S = 1_B$ $R_L = 50\ \Omega$	P_6.3.1
Analog supply minimum operative voltage	$V_{S(OP)}$	–	–	4.0	V	OUT . OUTn = 1_B from $UVRV_S = 1_B$ to $V_{DS} \leq 1\text{ V}$ $R_L = 50\ \Omega$	P_6.3.2
Undervoltage shutdown hysteresis	$V_{S(HYS)}$	–	1	–	V	¹⁾	P_6.3.3
Analog supply current consumption in Sleep mode with loads	$I_{VS(SLEEP)}$	–	0.1	3	μA	¹⁾ V_{IDLE} floating V_{INn} floating $V_{CSN} = V_{DD}$ $T_J \leq 85\text{ °C}$	P_6.3.4
Analog supply current consumption in Sleep mode with loads	$I_{VS(SLEEP)}$	–	0.1	–	μA	¹⁾ V_{IDLE} floating V_{INn} floating $V_{CSN} = V_{DD}$ $T_J \leq 85\text{ °C}$ VS = 13.5 V	P_6.3.63
Analog supply current consumption in Sleep mode with loads	$I_{VS(SLEEP)}$	–	0.1	20	μA	V_{IDLE} floating V_{INn} floating $V_{CSN} = V_{DD}$ $T_J = 150\text{ °C}$	P_6.3.5
Analog supply current consumption in Idle mode with loads	$I_{VS(IDLE)}$	–	–	2.2	mA	IDLE = "high" V_{INn} floating $f_{SCLK} = 0\text{ MHz}$ HWCR . ACT = 0_B OUT . OUTn = 0_B DIAG_IOL . OUTn = 0_B $V_{CSN} = V_{DD}$	P_6.3.6

Table 8 Electrical Characteristics Power Supply (cont'd)

$V_{DD} = 3\text{ V to }5.5\text{ V}$, $V_S = 7\text{ V to }18\text{ V}$, $T_J = -40\text{ °C to }+150\text{ °C}$, all voltages with respect to ground, positive currents flowing as described in [Figure 2](#) (unless otherwise specified)

Typical values: $V_{DD} = 5\text{ V}$, $V_S = 13.5\text{ V}$, $T_J = 25\text{ °C}$

Parameter	Symbol	Values			Unit	Note / Test Condition	Number
		Min.	Typ.	Max.			
Analog supply current consumption in Idle mode with loads (COR)	$I_{VS(IDLE)}$	–	–	0.3	mA	IDLE = “high” V_{INn} floating $f_{SCLK} = 0\text{ MHz}$ HWCR.ACT = 0 _B OUT.OUTn = 0 _B DIAG_IOL.OUTn = 0 _B $V_{CSN} = V_{DD}$ $V_S \leq V_{DD} - 1\text{ V}$	P_6.3.7
Analog supply current consumption in Active mode with loads - channels OFF	$I_{VS(ACTIVE)}$	–	–	7.7	mA	IDLE = “high” V_{INn} floating $f_{SCLK} = 0\text{ MHz}$ HWCR.ACT = 1 _B OUT.OUTn = 0 _B DIAG_IOL.OUTn = 0 _B $V_{CSN} = V_{DD}$	P_6.3.10
Analog supply current consumption in Active mode with loads - channels OFF (COR)	$I_{VS(ACTIVE)}$	–	–	5.0	mA	IDLE = “high” V_{INn} floating $f_{SCLK} = 0\text{ MHz}$ HWCR.ACT = 1 _B OUT.OUTn = 0 _B DIAG_IOL.OUTn = 0 _B $V_{CSN} = V_{DD}$ $V_S \leq V_{DD} - 1\text{ V}$	P_6.3.14
Analog supply current consumption in Active mode with loads - channels ON	$I_{VS(ACTIVE)}$	–	–	8.7	mA	IDLE = “high” V_{INn} floating $f_{SCLK} = 0\text{ MHz}$ HWCR.ACT = 1 _B OUT.OUTn = 1 _B DIAG_IOL.OUTn = 0 _B DIAG_OLONEN.MUX = 0100 _B $V_{CSN} = V_{DD}$	P_6.3.18

Table 8 Electrical Characteristics Power Supply (cont'd)
 $V_{DD} = 3\text{ V to }5.5\text{ V}$, $V_S = 7\text{ V to }18\text{ V}$, $T_J = -40\text{ °C to }+150\text{ °C}$, all voltages with respect to ground, positive currents flowing as described in [Figure 2](#) (unless otherwise specified)

Typical values: $V_{DD} = 5\text{ V}$, $V_S = 13.5\text{ V}$, $T_J = 25\text{ °C}$

Parameter	Symbol	Values			Unit	Note / Test Condition	Number
		Min.	Typ.	Max.			
Analog supply current consumption in Active mode with loads - channels ON (COR)	$I_{VS(ACTIVE)}$	–	2.3	5.0	mA	IDLE = “high” V_{INn} floating $f_{SCLK} = 0\text{ MHz}$ HWCR.ACT = 1 _B OUT.OUTn = 1 _B DIAG_IOL.OUTn = 0 _B $V_{CSN} = V_{DD}$ $V_S \leq V_{DD} - 1\text{ V}$	P_6.3.22
VDD pin							
Logic Supply Operating voltage	$V_{DD(OP)}$	3.0	–	5.5	V	$f_{SCLK} = 5\text{ MHz}$	P_6.3.23
Logic Supply Lower Operating Voltage	$V_{DD(LOP)}$	3.0	–	4.5	V	–	P_6.3.24
Undervoltage shutdown	$V_{DD(UV)}$	1	–	3.0	V	$V_{SI} = 0\text{ V}$ $V_{SCLK} = 0\text{ V}$ $V_{CSN} = 0\text{ V}$ SO from “low” to high impedance	P_6.3.25
Logic supply current in Sleep mode	$I_{VDD(SLEEP)}$	–	0.1	2.5	μA	¹⁾ V_{IDLE} floating V_{INn} floating $V_{CSN} = V_{DD}$ $T_J \leq 85\text{ °C}$	P_6.3.26
Logic supply current in Sleep mode	$I_{VDD(SLEEP)}$	–	–	10	μA	V_{IDLE} floating V_{INn} floating $V_{CSN} = V_{DD}$ $T_J = 150\text{ °C}$	P_6.3.27
Logic supply current in Idle mode	$I_{VDD(IDLE)}$	–	–	0.3	mA	IDLE = “high” V_{INn} floating $f_{SCLK} = 0\text{ MHz}$ HWCR.ACT = 0 _B OUT.OUTn = 0 _B $V_{CSN} = V_{DD}$	P_6.3.28
Logic supply current in Idle mode (COR)	$I_{VDD(IDLE)}$	–	–	2.2	mA	IDLE = “high” V_{INn} floating $f_{SCLK} = 0\text{ MHz}$ HWCR.ACT = 0 _B OUT.OUTn = 0 _B $V_{CSN} = V_{DD}$ $V_S \leq V_{DD} - 1\text{ V}$	P_6.3.29

Table 8 Electrical Characteristics Power Supply (cont'd)
 $V_{DD} = 3\text{ V to }5.5\text{ V}$, $V_S = 7\text{ V to }18\text{ V}$, $T_J = -40\text{ °C to }+150\text{ °C}$, all voltages with respect to ground, positive currents flowing as described in [Figure 2](#) (unless otherwise specified)

Typical values: $V_{DD} = 5\text{ V}$, $V_S = 13.5\text{ V}$, $T_J = 25\text{ °C}$

Parameter	Symbol	Values			Unit	Note / Test Condition	Number
		Min.	Typ.	Max.			
Logic supply current in Active mode - channels OFF	$I_{VDD(ACTIVE)}$	–	–	0.3	mA	IDLE = "high" V_{INn} floating $f_{SCLK} = 0\text{ MHz}$ HWCR.ACT = 1 _B OUT.OUTn = 0 _B $V_{CSN} = V_{DD}$	P_6.3.30
Logic supply current in Active mode - channels OFF (COR)	$I_{VDD(ACTIVE)}$	–	–	2.7	mA	IDLE = "high" V_{INn} floating $f_{SCLK} = 0\text{ MHz}$ HWCR.ACT = 1 _B OUT.OUTn = 0 _B $V_{CSN} = V_{DD}$ $V_S \leq V_{DD} - 1\text{ V}$	P_6.3.33
Logic supply current in Active mode - channels ON	$I_{VDD(ACTIVE)}$	–	–	0.3	mA	IDLE = "high" V_{INn} floating $f_{SCLK} = 0\text{ MHz}$ HWCR.ACT = 1 _B OUT.OUTn = 1 $V_{CSN} = V_{DD}$	P_6.3.35
Logic supply current in Active mode - channels ON (COR)	$I_{VDD(ACTIVE)}$	–	–	3.5	mA	IDLE = "high" V_{INn} floating $f_{SCLK} = 0\text{ MHz}$ HWCR.ACT = 1 _B OUT.OUTn = 1 _B DIAG_IOL.OUTn = 0 _B DIAG_OLONEN.MUX = 0100 _B $V_{CSN} = V_{DD}$ $V_S \leq V_{DD} - 1\text{ V}$	P_6.3.66
Overall current consumption							
Overall current consumption in Sleep mode $I_{VS(SLEEP)} + I_{VDD(SLEEP)}$	I_{SLEEP}	–	–	5	µA	¹⁾ V_{IDLE} floating V_{INn} floating $V_{CSN} = V_{DD}$ $T_J \leq 85\text{ °C}$	P_6.3.40
Overall current consumption in Sleep mode $I_{VS(SLEEP)} + I_{VDD(SLEEP)}$	I_{SLEEP}	–	–	5	µA	¹⁾ V_{IDLE} floating V_{INn} floating $V_{CSN} = V_{DD}$ $T_J \leq 85\text{ °C}$ $V_S = 13.5\text{ V}$	P_6.3.64

Table 8 Electrical Characteristics Power Supply (cont'd)

$V_{DD} = 3\text{ V to }5.5\text{ V}$, $V_S = 7\text{ V to }18\text{ V}$, $T_J = -40\text{ °C to }+150\text{ °C}$, all voltages with respect to ground, positive currents flowing as described in [Figure 2](#) (unless otherwise specified)

Typical values: $V_{DD} = 5\text{ V}$, $V_S = 13.5\text{ V}$, $T_J = 25\text{ °C}$

Parameter	Symbol	Values			Unit	Note / Test Condition	Number
		Min.	Typ.	Max.			
Overall current consumption in Sleep mode $I_{VS(SLEEP)} + I_{VDD(SLEEP)}$	I_{SLEEP}	–	–	30	µA	V_{IDLE} floating V_{INn} floating $V_{CSN} = V_{DD}$ $T_J = 150\text{ °C}$	P_6.3.41
Overall current consumption in Idle mode $I_{VS(IDLE)} + I_{VDD(IDLE)}$	I_{IDLE}	–	–	2.5	mA	IDLE = “high” V_{INn} floating $f_{SCLK} = 0\text{ MHz}$ HWCR.ACT = 0 _B OUT.OUTn = 0 _B DIAG_IOL.OUTn = 0 _B $V_{CSN} = V_{DD}$	P_6.3.42
Overall current consumption in Active mode - channels OFF $I_{VS(ACTIVE)} + I_{VDD(ACTIVE)}$	I_{ACTIVE}	–	–	8	mA	IDLE = “high” V_{INn} floating $f_{SCLK} = 0\text{ MHz}$ HWCR.ACT = 1 _B OUT.OUTn = 0 _B DIAG_IOL.OUTn = 0 _B $V_{CSN} = V_{DD}$	P_6.3.45
Overall current consumption in Active mode - channels ON $I_{VS(ACTIVE)} + I_{VDD(ACTIVE)}$	I_{ACTIVE}	–	–	9	mA	IDLE = “high” V_{INn} floating $f_{SCLK} = 0\text{ MHz}$ HWCR.ACT = 1 _B OUT.OUTn = 1 _B DIAG_IOL.OUTn = 0 _B $V_{CSN} = V_{DD}$	P_6.3.62
Voltage difference between V_S and V_{DD} supply lines	V_{SDIFF}	–	200	–	mV	1)	P_6.3.52

Timings

Sleep to Idle delay	$t_{SLEEP2IDLE}$	–	200	400	µs	1) from IDLE pin to TER + INST register = 8680 _H (see Chapter 10.6.1 for details)	P_6.3.53
---------------------	------------------	---	-----	-----	----	--	----------

Table 8 Electrical Characteristics Power Supply (cont'd)
 $V_{DD} = 3\text{ V to }5.5\text{ V}$, $V_S = 7\text{ V to }18\text{ V}$, $T_J = -40\text{ °C to }+150\text{ °C}$, all voltages with respect to ground, positive currents flowing as described in [Figure 2](#) (unless otherwise specified)

 Typical values: $V_{DD} = 5\text{ V}$, $V_S = 13.5\text{ V}$, $T_J = 25\text{ °C}$

Parameter	Symbol	Values			Unit	Note / Test Condition	Number
		Min.	Typ.	Max.			
Idle to Sleep delay	$t_{IDLE2SLEEP}$	–	100	200	μs	1) from IDLE pin to Standard Diagnosis = 0000 _H (see Chapter 10.5 for details) external pull-down SO to GND required	P_6.3.54
Idle to Active delay	$t_{IDLE2ACTIVE}$	–	100	200	μs	1) from INn or CSN pins to MODE = 10 _B	P_6.3.55
Active to Idle delay	$t_{ACTIVE2IDLE}$	–	100	200	μs	1) from INn or CSN pins to MODE = 11 _B	P_6.3.56
Sleep to Limp Home delay	$t_{SLEEP2LH}$	–	300 + t_{ON}	600 + t_{ON}	μs	1) from INn pins to $V_{DS} = 10\% V_S$	P_6.3.57
Limp Home to Sleep delay	$t_{LH2SLEEP}$	–	200 + t_{OFF}	400 + t_{OFF}	μs	1) from INn pins to Standard Diagnosis = 0000 _H (see Chapter 10.6.1 for details). External pull-down SO to GND required	P_6.3.58
Limp Home to Active delay	$t_{LH2ACTIVE}$	–	50	100	μs	1) from IDLE pin to MODE = 10 _B	P_6.3.59

Table 8 Electrical Characteristics Power Supply (cont'd)

$V_{DD} = 3\text{ V to }5.5\text{ V}$, $V_S = 7\text{ V to }18\text{ V}$, $T_J = -40\text{ °C to }+150\text{ °C}$, all voltages with respect to ground, positive currents flowing as described in [Figure 2](#) (unless otherwise specified)

Typical values: $V_{DD} = 5\text{ V}$, $V_S = 13.5\text{ V}$, $T_J = 25\text{ °C}$

Parameter	Symbol	Values			Unit	Note / Test Condition	Number
		Min.	Typ.	Max.			
Active to Limp Home delay	$t_{ACTIVE2LH}$	–	50	100	μs	1) from IDLE pin to TER + INST register = 8683 _H (IN0 = IN1 = “high”) or 8682 _H (IN1 = “high”, IN0 = “low”) or 8681 _H (IN1 = “low”, IN0 = “high”) (see Chapter 10.5 for details)	P_6.3.60
Active to Sleep delay	$t_{ACTIVE2SLEEP}$	–	50	100	μs	1) from IDLE pin to Standard Diagnosis = 0000 _H (see Chapter 10.6.1 for details). External pull-down SO to GND required.	P_6.3.61

1) Not subject to production test - specified by design

7 Power Stages

The TLE75080-EMH is an eight channels high-side relay switch. The power stages are built by N-channel lateral power MOSFET transistors.

The supply voltages V_{S1} and V_{S2} can be connected to any potential between ground and V_S . A charge pump is connected to the output MOSFET gate.

7.1 Output ON-state resistance

The ON-state resistance $R_{DS(ON)}$ depends on the supply voltage as well as the junction temperature T_J .

7.1.1 Switching Resistive Loads

When switching resistive loads the following switching times and slew rates can be considered.

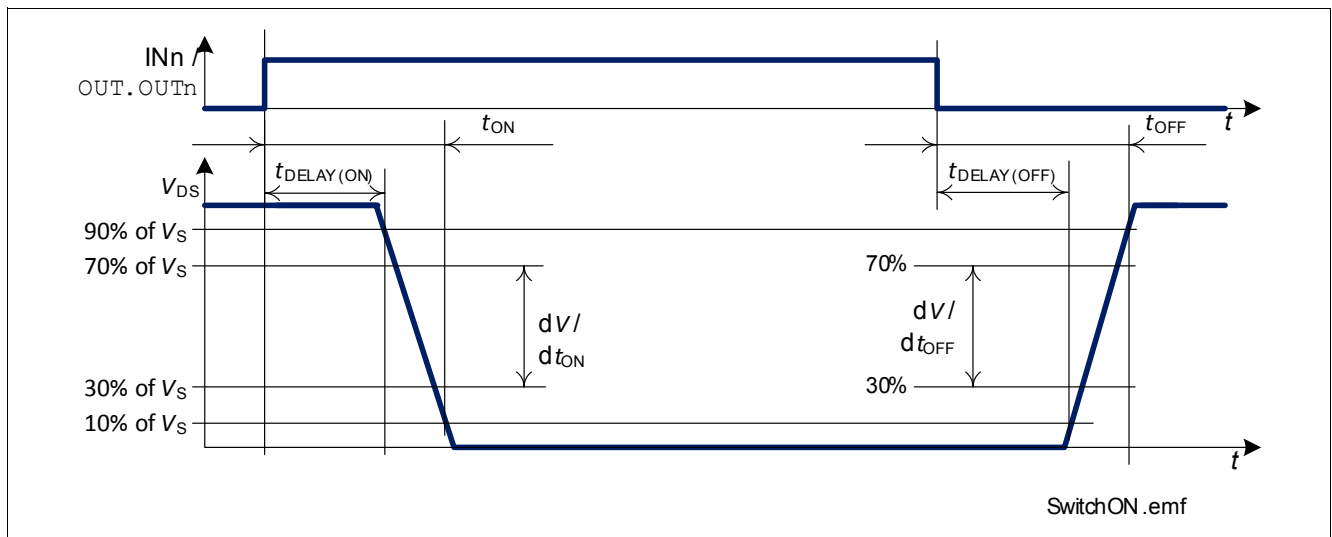


Figure 15 Switching a Resistive Load

7.1.2 Inductive Output Clamp

When switching off inductive loads, the voltage across the power switch rises to $V_{DS(CL)}$ potential, because the inductance intends to continue driving the current. The potential at Output pin is not allowed to go below $V_{OUT(CL)}$. The voltage clamping is necessary to prevent device destruction.

Figure 16 shows a concept drawing of the implementation. Nevertheless, the maximum allowed load inductance is limited. The clamping structure protects the device in all operative modes (Sleep, Idle, Active, Limp Home).

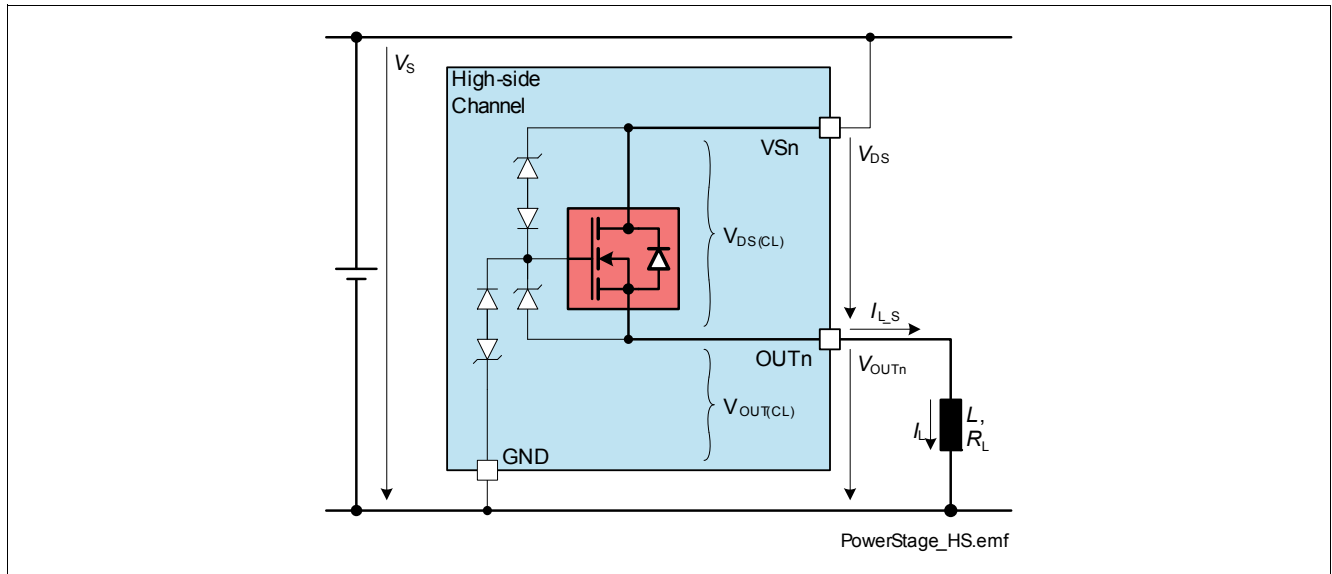


Figure 16 Output Clamp concept

7.1.3 Maximum Load Inductance

During demagnetization of inductive loads, energy has to be dissipated in the TLE75080-EMH. Equation (7.1) and Equation (7.2) can be used for high-side switches :

$$E = (V_S - V_{OUTS(CL)}) \cdot \left[\frac{V_{OUTS(CL)}}{R_L} \cdot \ln\left(1 - \frac{R_L \cdot I_L}{V_{OUTS(CL)}}\right) + I_L \right] \cdot \frac{L}{R_L} \quad (7.1)$$

$$E = (V_S - V_{OUT(CL)}) \cdot \left[\frac{V_{OUT(CL)}}{R_L} \cdot \ln\left(1 - \frac{R_L \cdot I_L}{V_{OUT(CL)}}\right) + I_L \right] \cdot \frac{L}{R_L} \quad (7.2)$$

The maximum energy, which is converted into heat, is limited by the thermal design of the component. The E_{AR} value provided in Table 2 assumes that all channels can dissipate the same energy when the inductances connected to the outputs are demagnetized at the same time.

7.2 Inverse Current Behavior

During inverse current ($V_{OUTn} > V_{Sn}$) the affected channels stays in ON- or in OFF- state. Furthermore, during applied inverse currents the **ERRn** bit can be set if the channel is in ON-state and the over temperature threshold is reached.

The general functionality (switch ON and OFF, protection, diagnostic) of unaffected channels is not influenced by inverse currents applied to other channels. Parameter deviations are possible especially for the following ones (Over Temperature protection is not influenced):

- Switching capability: t_{ON} , t_{OFF} , dV/dt_{ON} , $-dV/dt_{OFF}$
- Protection: $I_{L(OVL0)}$, $I_{L(OVL1)}$
- Diagnostic: $V_{OUT(OL)}$, $I_{L(OL)}$

Reliability in Limp Home condition for the unaffected channels is unchanged.

Note: No protection mechanism like temperature protection or over load protection is active during applied inverse currents. Inverse currents cause power losses inside the DMOS, which increase the overall device temperature. This could lead to a switch OFF of unaffected channels due to Over Temperature

7.3 Switching Channels in parallel

In case of appearance of a short circuit with channels in parallel, it may happen that the two channels switch OFF asynchronously, therefore bringing an additional thermal stress to the channel that switches OFF last. In order to avoid this condition, it is possible to parametrize in the SPI registers the parallel operation of two neighbour channels (bits **HWCR.PAR**). When operating in this mode, the fastest channel to react to an Over Load or Over Temperature condition will deactivate also the other. The inductive energy that two channels can handle once set in parallel is lower than twice the single channel energy (see P_7.6.11). It is possible to synchronize the following couples of channels:

- channel 0 and channel 2 → **HWCR.PAR** (0) set to “1”
- channel 1 and channel 3 → **HWCR.PAR** (1) set to “1”
- channel 4 and channel 6 → **HWCR.PAR** (2) set to “1”
- channel 5 and channel 7 → **HWCR.PAR** (3) set to “1”

The synchronization bits influence only how the channels react to Over Load or Over Temperature conditions. Synchronized channels have to be switched ON and OFF individually by the micro-controller.

7.4 “Bulb Inrush Mode” (BIM)

Although TLE75080-EMH is optimized for relays and LED, it may be necessary to use one or more of the outputs to drive small lamps (typically 2 W) or electronic loads with a big input capacitor. In such operative conditions, at the switch ON an inrush current may appear, reaching the overload current threshold which latches the channel OFF (see [Chapter 8.1](#) for further details). In normal operation the device waits until the microcontroller sends an SPI command to clear the latches (register **HWCR_OCL**) allowing the channel to turn ON again. Usually this delay is too long to transfer enough energy to the load.

If the corresponding bit **BIM.OUTn** is set to “1”, in case the channel reaches the overload current threshold or the overtemperature threshold and latches OFF, it restarts automatically after a time t_{INRUSH} , allowing the load to go out of the inrush phase. A time diagram is shown in [Figure 17](#). As shown, the counter starts when the channel is switched ON. Every channel switch OFF (independently from the entity controlling the channel - see [Figure 18](#) for further details) resets the bit **BIM.OUTn** to “0”.

While **BIM.OUTn** bits are set to “1”, **ERRn** bits may be also set to “1” but this doesn’t latch the channel OFF.

An internal timer set the bit **BIM.OUTn** back to “0” after 40 ms (parameter t_{BIM}) to prevent an excessive thermal stress to the channel, especially in case of short circuit at the output.

TLE75080-EMH allows a per-channel selection of Bulb Inrush Mode (BIM) in order to be fully flexible without any additional reliability risk.

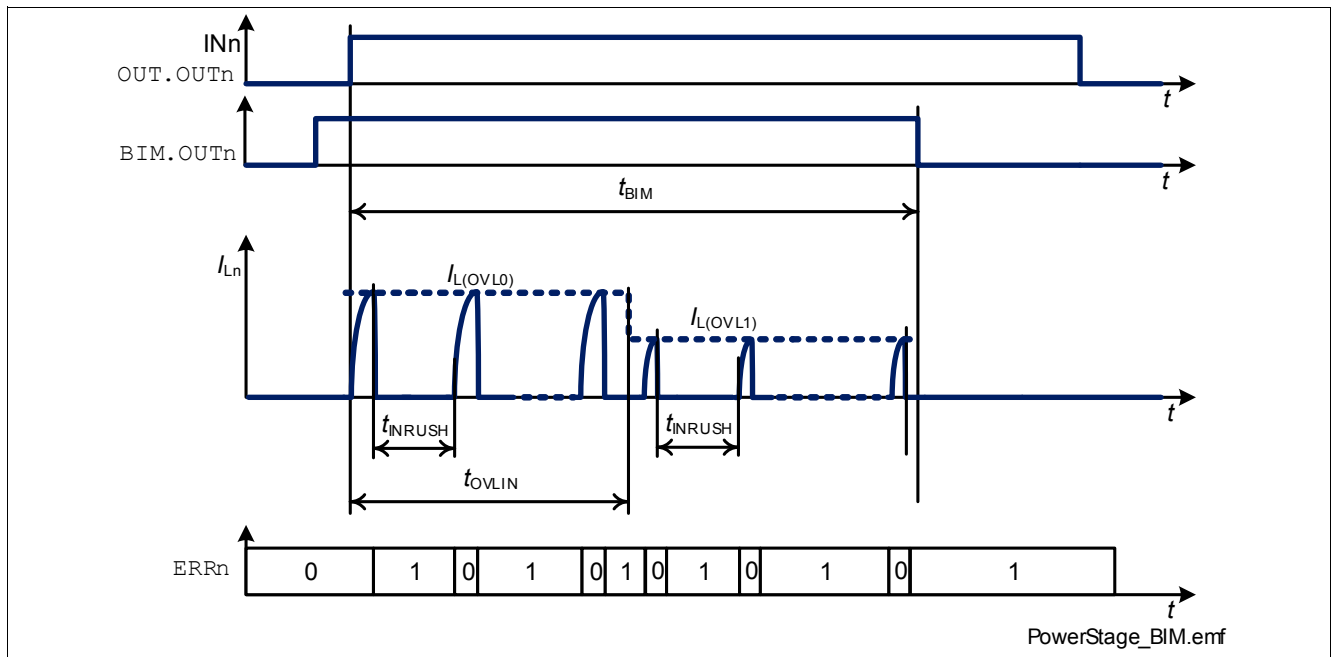


Figure 17 Bulb Inrush Mode (BIM) operation

7.5 Automatic PWM Generator

The TLE75080-EMH has two independent automatic PWM generator implemented. Each PWM generator can be assigned to one or more channels, and can be programmed with a different duty cycle and frequency.

Both PWM generator refer to a base frequency f_{INT} generated by an internal oscillator. This base frequency can be adjusted using `HWCR_PWM.ADJ` bits as described in [Table 9](#).

Table 9 `HWCR_PWM.ADJ` coefficients overview

bit content	absolute delta to f_{INT}	relative delta between steps
0000 _B	(reserved)	(reserved)
0001 _B	-37.2%	-5.2%
0010 _B	-31.9%	-5.1%
0011 _B	-26.9%	-5.9%
0100 _B	-21.0%	-5.5%
0101 _B	-15.5%	-4.6%
0110 _B	-10.9%	-5.1%
0111 _B	-5.8%	-5.8%
1000 _B	–	–
1001 _B	+4.3%	+4.3%
1010 _B	+8.9%	+4.6%
1011 _B	+14.0%	+5.1%
1100 _B	+19.5%	+5.6%
1101 _B	+25.6%	+6.1%
1110 _B	+32.4%	+6.8%
1111 _B	+40.0%	+7.6%

For each PWM generator 4 parameters can be set:

- duty cycle (bits `PWM_CR0.DC` for PWM Generator 0)
 - 8 bits are available to achieve 0.39% duty cycle resolution
 - when the micro-controller programs a new duty cycle, the PWM generator waits until the previous cycle is completed before using the new duty cycle (this happens also when the duty cycle is either 0% or 100% - the new duty cycle is taken with the next PWM cycle)
 - the maximum duty cycle achievable is 99.61% (`PWM_CR0.DC` set to “11111111_B”). It is possible to achieve 100% by setting `PWM_CR0.FREQ` to “11_B”
- frequency (bits `PWM_CR0.FREQ` for PWM Generator 0)
 - with 2 bits is possible to select the divider for f_{INT} to achieve the needed duty cycle
 - $00_B = f_{INT} / 1024$ (when $f_{INT} = 102.4$ kHz the corresponding PWM frequency is 100 Hz)
 - $01_B = f_{INT} / 512$ (corresponding to 200 Hz)
 - $10_B = f_{INT} / 256$ (corresponding to 400 Hz)
- channel output control and mapping registers `PWM_OUT` and `PWM_MAP`)
 - any channel can be mapped to each PWM Generator
 - together with 2 parallel input it is possible to have 4 independent PWM groups of channels with low effort from the point of view of micro-controller resources and SPI data traffic

Figure 18 expands the concept shown in **Figure 9** adding the PWM Generators.

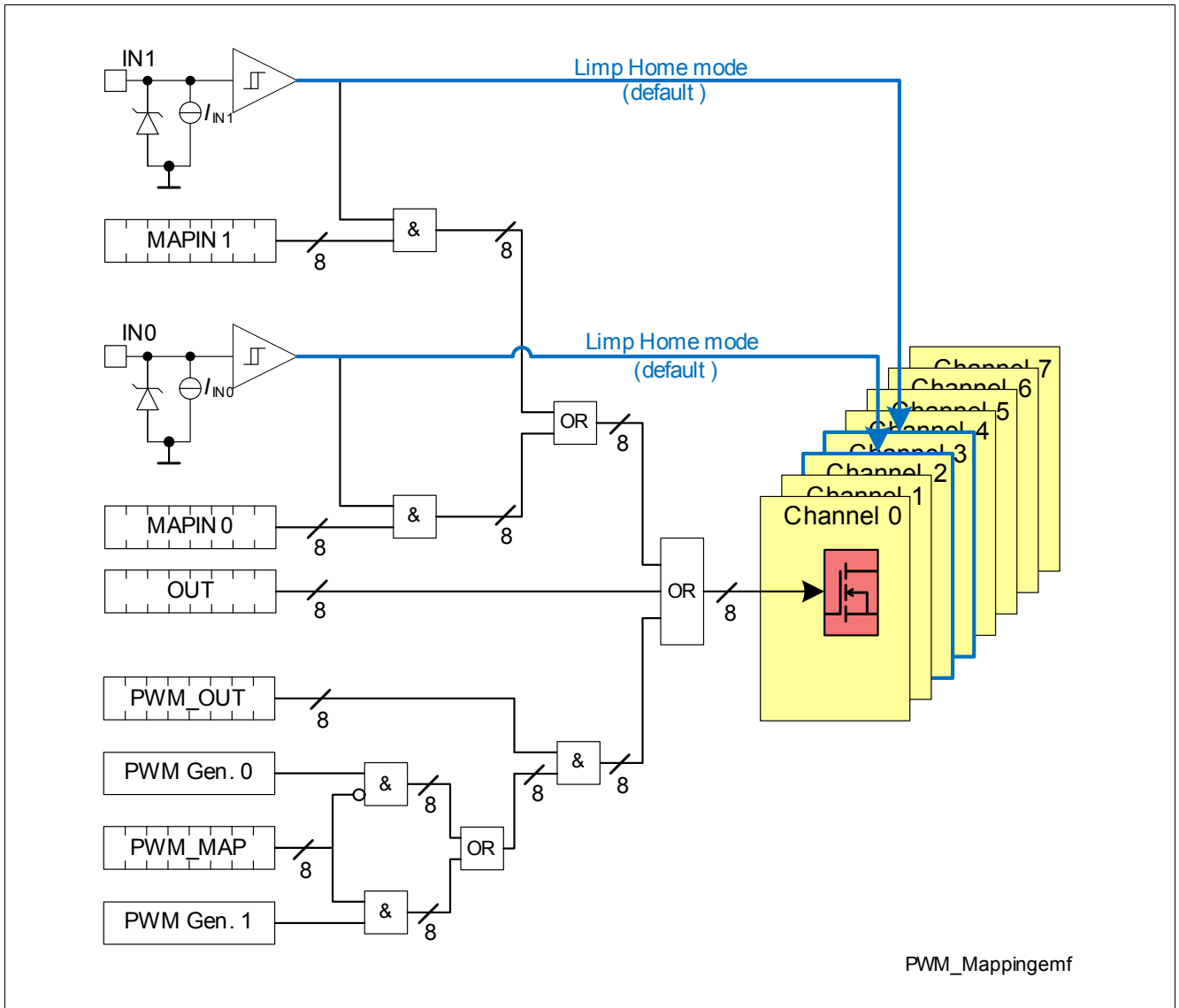


Figure 18 PWM Generator Mappings

7.6 Electrical Characteristics Power Stages

Table 10 Electrical Characteristics: Power Stage
 $V_{DD} = 3\text{ V to } 5.5\text{ V}$, $V_S = 7\text{ V to } 18\text{ V}$, $T_J = -40\text{ °C to } +150\text{ °C}$ (unless otherwise specified)

Typical values: $V_{DD} = 5\text{ V}$, $V_S = 13.5\text{ V}$, $T_J = 25\text{ °C}$

Parameter	Symbol	Values			Unit	Note / Test Condition	Number
		Min.	Typ.	Max.			
Output Characteristics							
On-State Resistance	$R_{DS(ON)}$	–	1.0	–	Ω	¹⁾ $T_J = 25\text{ °C}$	P_7.6.1
On-State Resistance	$R_{DS(ON)}$	–	1.8	2.2	Ω	$T_J = 150\text{ °C}$ $I_L = I_{L(EAR)} = 220\text{ mA}$	P_7.6.2
Nominal load current (all channels active)	$I_{L(NOM)}$	–	330	$500^{2)3)}$	mA	¹⁾ $T_A = 85\text{ °C}$ $T_J \leq 150\text{ °C}$	P_7.6.3
Nominal load current (all channels active)	$I_{L(NOM)}$	–	260	$500^{2)3)}$	mA	¹⁾ $T_A = 105\text{ °C}$ $T_J \leq 150\text{ °C}$	P_7.6.4
Nominal load current (half of channels active)	$I_{L(NOM)}$	–	470	$500^{2)3)}$	mA	¹⁾ $T_A = 85\text{ °C}$ $T_J \leq 150\text{ °C}$	P_7.6.5
Load current for maximum energy dissipation - repetitive (all channels active)	$I_{L(EAR)}$	–	220	–	mA	¹⁾ $T_A = 85\text{ °C}$ $T_J \leq 150\text{ °C}$	P_7.6.8
Inverse current capability per channel	$-I_{L(IC)}$	–	–	$I_{L(EAR)}$	mA	¹⁾ No influences on switching functionality of unaffected channels - parameter deviations possible	P_7.6.9
Maximum energy dissipation repetitive pulses - $2 \cdot I_{L(EAR)}$ (two channels in parallel)	E_{AR}	–	–	15	mJ	¹⁾ $T_{J(0)} = 85\text{ °C}$ $I_{L(0)} = 2 \cdot I_{L(EAR)}$ $2 \cdot 10^6$ cycles HWCR.PAR = "1" for affected channels	P_7.6.11
Power stage voltage drop at low battery	$V_{DS(OP)}$	–	–	1	V	$R_L = 50\ \Omega$ $V_S = V_{S(OP),max}$ $V_{S1} = V_{S(OP),max}$ $V_{S2} = V_{S(OP),max}$ refer to Figure 16	P_7.6.15
Drain to Source Output clamping voltage	$V_{DS(CL)}$	42	46	55	V	$I_L = 20\text{ mA}$ $V_S = V_{Sn} = 36\text{ V}$	P_7.6.16

Table 10 Electrical Characteristics: Power Stage (cont'd)
 $V_{DD} = 3\text{ V to }5.5\text{ V}$, $V_S = 7\text{ V to }18\text{ V}$, $T_J = -40\text{ °C to }+150\text{ °C}$ (unless otherwise specified)

 Typical values: $V_{DD} = 5\text{ V}$, $V_S = 13.5\text{ V}$, $T_J = 25\text{ °C}$

Parameter	Symbol	Values			Unit	Note / Test Condition	Number
		Min.	Typ.	Max.			
Source to Ground Output clamping voltage	$V_{OUT(CL)}$	-25	–	-16	V	$I_L = 20\text{ mA}$ $V_S = V_{Sn} = 7\text{ V}$	P_7.6.18
Output leakage current (each channel) $T_J \leq 85\text{ °C}$	$I_{L(OFF)}$	–	0.01	0.5	μA	¹⁾ $V_{IN} = 0\text{ V}$ or floating $V_{DS} = 28\text{ V}$ $V_{OUT_S} = 1.5\text{ V}$ OUT . OUTn = 0 $T_J \leq 85\text{ °C}$	P_7.6.47
Output leakage current (each channel) $T_J = 150\text{ °C}$	$I_{L(OFF)}$	–	0.1	5	μA	¹⁾ $V_{IN} = 0\text{ V}$ or floating $V_{DS} = 28\text{ V}$ $V_{OUT_S} = 1.5\text{ V}$ OUT . OUTn = 0 $T_J = 150\text{ °C}$	P_7.6.49

Timings

Turn-ON delay (from INn pin or bit to $V_{OUT} = 10\% V_S$)	$t_{DELAY(ON)}$	1	4	8	μs	$R_L = 50\ \Omega$ $V_S = 13.5\text{ V}$ Active mode or Limp Home mode	P_7.6.35
Turn-OFF delay (from INn pin or bit to $V_{OUT} = 90\% V_S$)	$t_{DELAY(OFF)}$	1	6	12	μs	$R_L = 50\ \Omega$ $V_S = 13.5\text{ V}$ Active mode or Limp Home mode	P_7.6.36
Turn-ON time (from INn pin or bit to $V_{OUT} = 90\% V_S$)	t_{ON}	6	15	35	μs	$R_L = 50\ \Omega$ $V_S = 13.5\text{ V}$ Active mode or Limp Home mode	P_7.6.37
Turn-OFF time (from INn pin or bit to $V_{OUT} = 10\% V_S$)	t_{OFF}	6	15	35	μs	$R_L = 50\ \Omega$ $V_S = 13.5\text{ V}$ Active mode or Limp Home mode	P_7.6.38
Turn-ON/OFF matching	$t_{ON} - t_{OFF}$	-10	0	10	μs	$R_L = 50\ \Omega$ $V_S = 13.5\text{ V}$ Active mode or Limp Home mode	P_7.6.39
Turn-ON slew rate $V_{DS} = 30\% \text{ to } 70\% V_S$	dV/dt_{ON}	0.7	1.3	1.9	V/ μs	$R_L = 50\ \Omega$ $V_S = 13.5\text{ V}$ Active mode or Limp Home mode	P_7.6.40

Table 10 Electrical Characteristics: Power Stage (cont'd)
 $V_{DD} = 3\text{ V to }5.5\text{ V}$, $V_S = 7\text{ V to }18\text{ V}$, $T_J = -40\text{ °C to }+150\text{ °C}$ (unless otherwise specified)

 Typical values: $V_{DD} = 5\text{ V}$, $V_S = 13.5\text{ V}$, $T_J = 25\text{ °C}$

Parameter	Symbol	Values			Unit	Note / Test Condition	Number
		Min.	Typ.	Max.			
Turn-OFF slew rate $V_{DS} = 70\% \text{ to } 30\% V_S$	$-dV/dt_{OFF}$	0.7	1.3	1.9	V/ μ s	$R_L = 50\ \Omega$ $V_S = 13.5\text{ V}$ Active mode or Limp Home mode	P_7.6.41
Bulb Inrush Mode restart time	t_{INRUSH}	–	–	40	μ s	¹⁾ Active mode	P_7.6.42
Bulb Inrush Mode reset time	t_{BIM}	–	40	–	ms	¹⁾ Active mode	P_7.6.43

PWM Generator

Internal reference frequency	f_{INT}	80	102	125	kHz	$HWCR_PWM_ADJ = 1000_B$	P_7.6.44
Internal reference frequency variation	$f_{INT(VAR)}$	-15	–	15	%	¹⁾	P_7.6.56
Internal reference frequency synchronization time	t_{SYNC}	–	5	10	μ s	¹⁾ $HWCR_PWM_ADJ = 1000_B$	P_7.6.45

1) Not subject to production test - specified by design

 2) If one channel has $I_{L(NOM),max}$ applied, the remaining channels must be underloaded accordingly so that $T_J < 150\text{ °C}$

 3) $I_{L(NOM),max}$ can reach $I_{L(OVL1),min}$

8 Protection Functions

8.1 Over Load Protection

The TLE75080-EMH is protected in case of over load or short circuit of the load. There are two over load current thresholds (see **Figure 19**):

- $I_{L(OVL0)}$ between channel switch ON and t_{OVLIN}
- $I_{L(OVL1)}$ after t_{OVLIN}

Every time the channel is switched OFF for a time longer than $2 * t_{SYNC}$ the over load current threshold is set back to $I_{L(OVL0)}$.

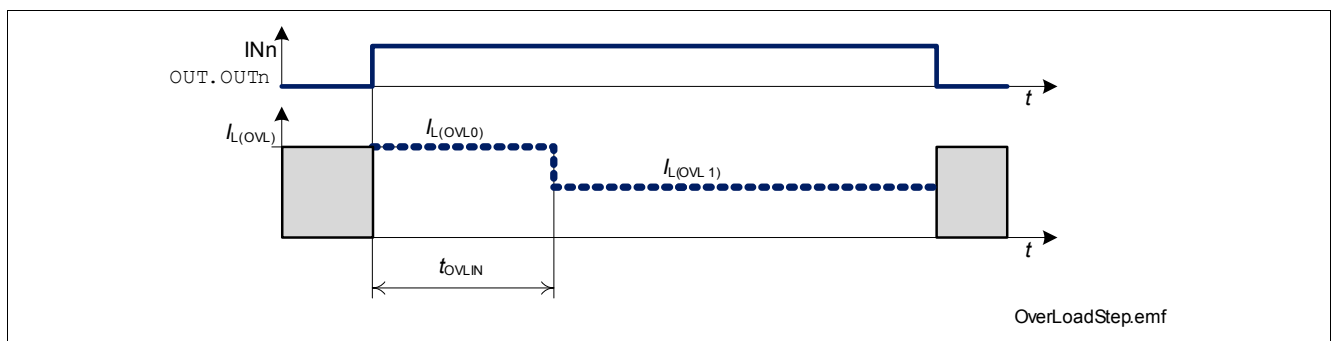


Figure 19 Over Load current thresholds

In case the load current is higher than $I_{L(OVL0)}$ or $I_{L(OVL1)}$, after time $t_{OFF(OVL)}$ the over loaded channel is switched OFF and the according diagnosis bit **ERRn** is set. The channel can be switched ON after clearing the protection latch by setting the corresponding **HWCR_OCL.OUTn** bit to "1". This bit is set back to "0" internally after de-latching the channel. Please refer to **Figure 20** for details.

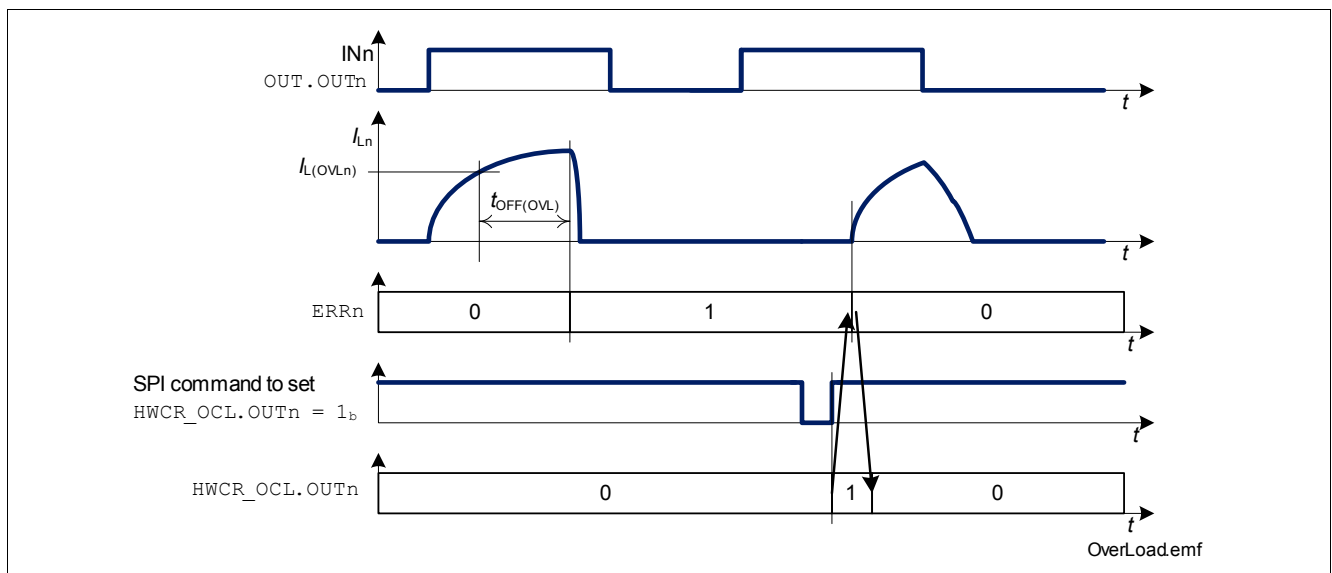


Figure 20 Latch OFF at Over Load

8.2 Over Temperature Protection

A temperature sensor is integrated for each channel, causing an overheated channel to switch OFF to prevent destruction. The according diagnosis bit **ERRn** is set (combined with Over Load protection). The channel can be

switched ON after clearing the protection latch by setting the corresponding `HWCR_OCL.OUTn` bit to “1”. This bit is set back to “0” internally after de-latching the channel.

8.3 Over Temperature and Over Load Protection in Limp Home mode

When TLE75080-EMH is in Limp Home mode, channels 2 and 3 can be switched ON using the input pins. In case of Over Load, Short Circuit or Over Temperature the channels switch OFF. If the input pins remain “high”, the channels restart with the following timings:

- 10 ms (first 8 retries)
- 20 ms (following 8 retries)
- 40 ms (following 8 retries)
- 80 ms (as long as the input pin remains “high” and the error is still present)

If at any time the input pin is set to “low” for longer than $2 \cdot t_{\text{SYNC}}$, the restart timer is reset. At the next channel activation while in Limp Home mode the timer starts from 10 ms again. See [Figure 21](#) for details. Over Load current thresholds behave as described in [Chapter 8.1](#).

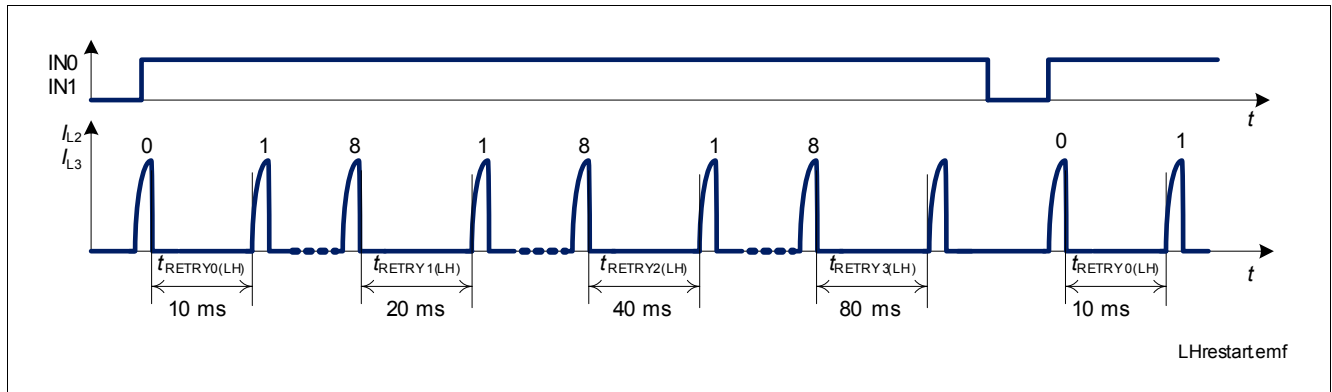


Figure 21 Restart timer in Limp Home mode

8.4 Reverse Polarity Protection

In Reverse Polarity (also known as Reverse Battery) condition, High-Side channels have Reversave™ functionality. Each ESD diode of the logic and supply pins contributes to total power dissipation. Channels with Reversave™ functionality are switched ON almost with the same $R_{\text{DS(ON)}}$ (see parameter $R_{\text{DS(REV)}}$). The reverse current through the channels has to be limited by the connected loads. The current through digital power supply V_{DD} and input pins has to be limited as well (please refer to the Absolute Maximum Ratings listed on [Chapter 4.1](#)).

Note: No protection mechanism like temperature protection or current limitation is active during reverse polarity.

8.5 Over Voltage Protection

In the case of supply voltages between $V_{\text{S(SC)}}$ and $V_{\text{S(LD)}}$ the output transistors are still operational and follow the input pins or the `OUT` register.

In addition to the output clamp for inductive loads as described in [Chapter 7.1.2](#), there is a clamp mechanism available for over voltage protection for the logic and all channels, monitoring the voltage between VS and GND pins ($V_{\text{S(AZ)}}$).

8.6 Electrical Characteristics Protection

Table 11 Electrical Characteristics Protection
 $V_{DD} = 3\text{ V to }5.5\text{ V}$, $V_S = 7\text{ V to }18\text{ V}$, $T_J = -40\text{ °C to }+150\text{ °C}$ (unless otherwise specified)

 Typical values: $V_{DD} = 5\text{ V}$, $V_S = 13.5\text{ V}$, $T_J = 25\text{ °C}$

Parameter	Symbol	Values			Unit	Note / Test Condition	Number
		Min.	Typ.	Max.			
Over Load							
Over Load detection current	$I_{L(OVL0)}$	1.3	1.7	2.3	A	$T_J = -40\text{ °C}$	P_8.8.19
Over Load detection current	$I_{L(OVL0)}$	1.25	1.55	2.3	A	¹⁾ $T_J = 25\text{ °C}$	P_8.8.20
Over Load detection current	$I_{L(OVL0)}$	1	1.45	2	A	$T_J = 150\text{ °C}$	P_8.8.21
Over Load detection current	$I_{L(OVL1)}$	0.7	0.95	1.3	A	$T_J = -40\text{ °C}$	P_8.8.22
Over Load detection current	$I_{L(OVL1)}$	0.65	0.85	1.3	A	¹⁾ $T_J = 25\text{ °C}$	P_8.8.23
Over Load detection current	$I_{L(OVL1)}$	0.5	0.8	1.25	A	$T_J = 150\text{ °C}$	P_8.8.24
Over Load threshold switch delay time	t_{OVLIN}	110	170	260	µs	¹⁾	P_8.8.5
Over Load shut-down delay time	$t_{OFF(OVL)}$	4	7	11	µs	¹⁾ BIM.OUTn=HWCR. PAR=0 _B	P_8.8.26
Over Temperature and Over Voltage							
Thermal shut-down temperature	$T_{J(SC)}$	150	175 ¹⁾	220 ¹⁾	°C		P_8.8.7
Over voltage protection	$V_{S(AZ)}$	42	50	60	V	$I_{VS} = 10\text{ mA}$ Sleep mode	P_8.8.8
Reverse Polarity							
On-State Resistance during Reverse Polarity (High-Side channels)	$R_{DS(REV)}$	–	1.0	–	Ω	¹⁾ $V_S = -V_{S(REV)}$ $I_L = I_{L(EAR)}$ $T_J = 25\text{ °C}$	P_8.8.11
On-State Resistance during Reverse Polarity (High-Side channels)	$R_{DS(REV)}$	–	1.8	–	Ω	¹⁾ $V_S = -V_{S(REV)}$ $I_L = I_{L(EAR)}$ $T_J = 150\text{ °C}$	P_8.8.12
Timings							
Restart time in Limp Home mode	$t_{RETRY0(LH)}$	7	10	13	ms	¹⁾	P_8.8.13
Restart time in Limp Home mode	$t_{RETRY1(LH)}$	14	20	26	ms	¹⁾	P_8.8.14

Table 11 Electrical Characteristics Protection (cont'd)

$V_{DD} = 3\text{ V to }5.5\text{ V}$, $V_S = 7\text{ V to }18\text{ V}$, $T_J = -40\text{ °C to }+150\text{ °C}$ (unless otherwise specified)
 Typical values: $V_{DD} = 5\text{ V}$, $V_S = 13.5\text{ V}$, $T_J = 25\text{ °C}$

Parameter	Symbol	Values			Unit	Note / Test Condition	Number
		Min.	Typ.	Max.			
Restart time in Limp Home mode	$t_{RETRY2(LH)}$	28	40	52	ms	1)	P_8.8.15
Restart time in Limp Home mode	$t_{RETRY3(LH)}$	56	80	104	ms	1)	P_8.8.16

1) Not subject to production test - specified by design

9 Diagnosis

The SPI of TLE75080-EMH provides diagnosis information about the device and the load status. Each channel diagnosis information is independent from other channels. An error condition on one channel has no influence on the diagnostic of other channels in the device (unless configured to work in parallel, see [Chapter 7.3](#) for more details).

9.1 Over Load and Over Temperature

When either an Over Load or an Over Temperature occurs on one channel, the diagnosis bit `ERRn` is set accordingly. As described in [Chapter 8.1](#) and [Chapter 8.2](#), the channel latches OFF and must be reactivated setting corresponding `HWCR_OCL.OUTn` bit to "1".

9.2 Output Status Monitor

The device compares each channel V_{OUT} with $V_{OUT(OL)}$ and sets the corresponding `DIAG_OSM.OUTn` bits accordingly. The bits are updated every time `DIAG_OSM` register is read.

- $V_{OUT} > V_{OUT(OL)} \rightarrow \text{DIAG_OSM.OUTn} = "1"$

A diagnosis current I_{OL} in parallel to the power switch can be enabled by programming the `DIAG_IOL.OUTn` bit, which can be used for Open Load at OFF detection. Each channel has its dedicated diagnosis current source. If the diagnosis current I_{OL} is enabled or if the channel changes state (ON \rightarrow OFF or OFF \rightarrow ON) it is necessary to wait a time t_{OSM} for a reliable diagnosis. Enabling I_{OL} current sources increases the current consumption of the device. Even if an Open Load is detected, the channel is not latched OFF.

See [Figure 22](#) for a timing overview (the values of `DIAG_IOL.OUTn` refer to a channel in normal operation properly connected to the load).

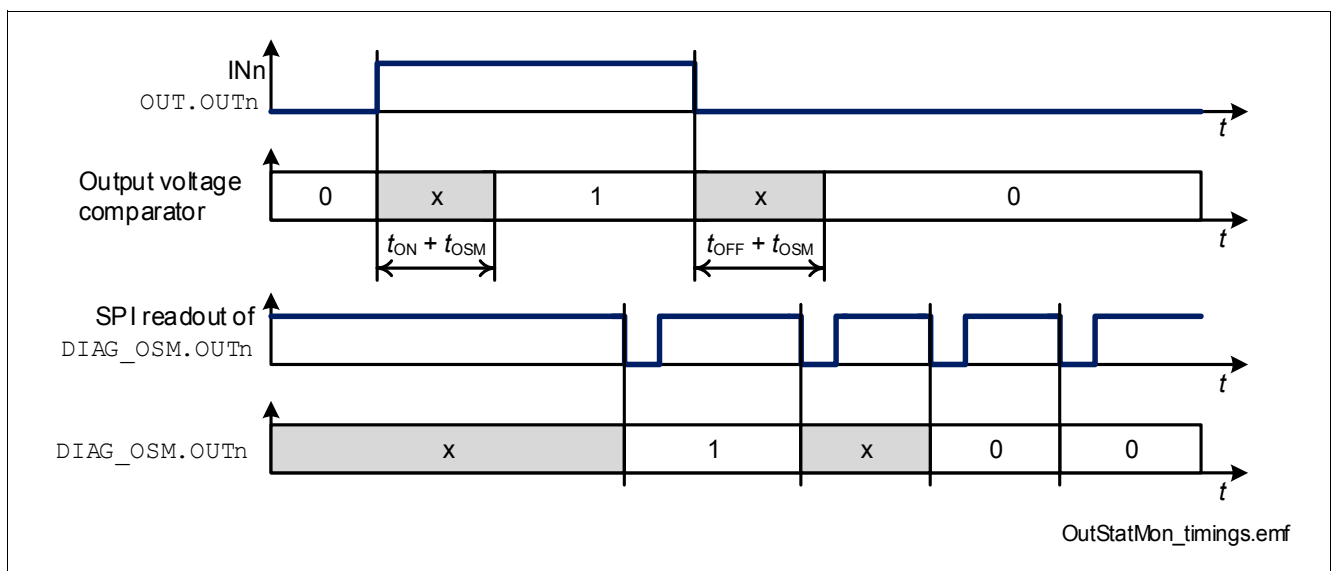


Figure 22 Output Status Monitor timing

Output Status Monitor diagnostic is available when $V_S = V_{S(NOR)}$ and $V_{DD} \geq V_{DD(UV)}$.

Due to the fact that Output Status Monitor checks the voltage level at the outputs in real time, for Open Load in OFF diagnostic it is necessary to synchronize the reading of `DIAG_OSM` register with the OFF state of the channels.

[Figure 23](#) shows how Output Status Monitor is implemented at concept level.

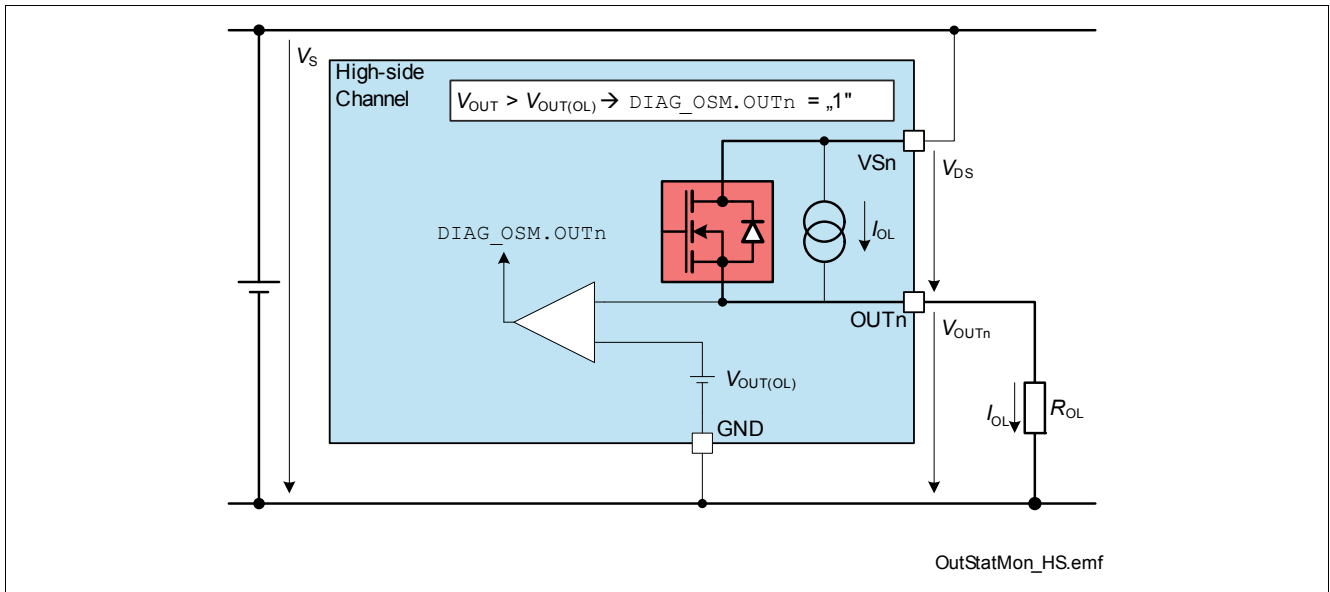


Figure 23 Output Status Monitor - concept

In Standard Diagnosis the bit **OLOFF** represents the OR combination of all **DIAG_OSM.OUTn** bits for all channels in OFF state which have the corresponding current source I_{OL} activated.

9.3 Open Load at ON

Each channel has the possibility of Open Load at ON diagnosis, which can be controlled programming **DIAG_OLONEN.MUX** bits. By default after a reset Open Load at ON diagnosis is not active. The device compares I_{L_Sn} with $I_{L(OL)}$ and sets the **DIAG_OLON.OUTn** accordingly:

- $I_{L_Sn} < I_{L(OL)} \rightarrow \text{DIAG_OLON.OUTn} = "1"$ if $V_{Sn} > V_{OUT(OL)}$

9.3.1 Open Load at ON - direct channel diagnosis

When **DIAG_OLONEN.MUX** bits are programmed with a value corresponding to a channel ($0000_B \rightarrow 0111_B$), the internal multiplexer checks for Open Load at ON condition on the selected channel. It is recommended that the channel is ON for at least t_{ON} before activating the diagnosis. After a time $t_{OLONSET}$ the corresponding **DIAG_OLON.OUTn** bit for the selected channel is available. All the other bits in the **DIAG_OLON** register are set to default ("0_B"). The bits are updated every time the register is read.

When a channel is selected, the corresponding **DIAG_OLON.OUTn** bit content is mirrored also in the Standard Diagnosis (bit **OLON**). In case of several register readouts in sequence the register content is updated at every read request from micro-controller. See **Figure 24** for further details.

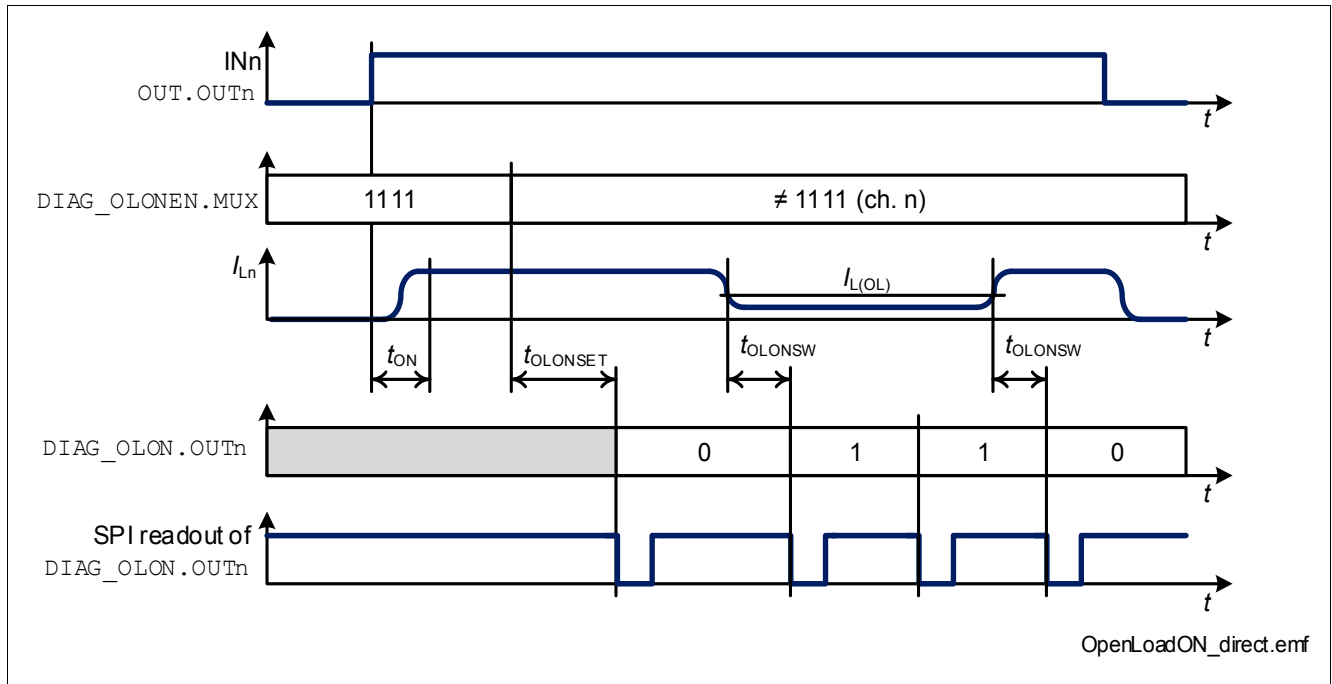


Figure 24 Open Load at ON timings (direct channels diagnosis)

9.3.2 Open Load at ON - diagnosis loop

When `DIAG_OLONEN.MUX` bits are programmed with the value 1010_B , the device starts a diagnosis loop where all channels are checked for Open Load at ON. The internal multiplexer is controlled by the internal logic, therefore there is no need for the micro-controller to send any additional command.

First the internal logic checks all channels which are directly driven by the micro-controller and not configured to be driven by the internal PWM generator, then the internal logic checks all channels which are configured to be driven by the internal PWM generator.

- Diagnosis sequence for channels driven directly by the micro-controller
 - First channel checked: channel 0. It is recommended that the channels are ON at least t_{ON} before activating the diagnosis loop.
 - After a time $t_{OLONSET} + t_{SYNC}$ the diagnosis for the first channel is completed (`DIAG_OLON.OUTn` bit is updated)
 - The internal multiplexer is set to the next channel. After a time $t_{OLONSW} + t_{SYNC}$ the diagnosis is completed (`DIAG_OLON.OUTn` bit is updated) for the currently selected channel. This step is repeated for all remaining directly driven channels.
 - If one channel is OFF when the diagnosis is performed, the corresponding `DIAG_OLON.OUTn` is set to “0_B”
- Diagnosis sequence for channels driven by the internal PWM Generators (see [Chapter 7.5](#))
 - These channels are diagnosed only after all channels directly driven by micro-controller are checked
 - Channels mapped to PWM Generator 0 are diagnosed first
 - After a time $t_{OLONSET}$ the channel activation (switch ON) is the trigger event to perform Open Load at ON diagnosis for the first channel
 - After a time $t_{ONMAX} + t_{OLONSW}$ the diagnosis for the first channel is completed (`DIAG_OLON.OUTn` bit is updated)
 - The internal multiplexer is set to the next channel. After a time t_{OLONSW} the diagnosis is completed (`DIAG_OLON.OUTn` bit is updated) for the currently selected channel. This step is repeated for all remaining PWM generator driven channels.

If the channel is in OFF state during the PWM period, the internal logic waits for the ON state to perform the diagnosis. After a time $t_{ONMAX} + t_{OLONSW}$ the diagnosis for that channel is completed.

- The minimum ON time for a reliable diagnosis is $> t_{ONMAX} + t_{OLONSW}$. If the ON time is $< t_{ONMAX} + t_{OLONSW}$ the corresponding **DIAG_OLON.OUTn** is set to "0".

When the loop finishes, **DIAG_OLONEN.MUX** bits are set back to 1111_B (default value) and **DIAG_OLON.OUTn** bits store the last diagnosis loop result. It is necessary to start another diagnosis loop to update the register content.

Figure 25 shows the timing in case of channels driven directly by micro-controller, while **Figure 26** represents the case with channels driven by internal PWM Generators.

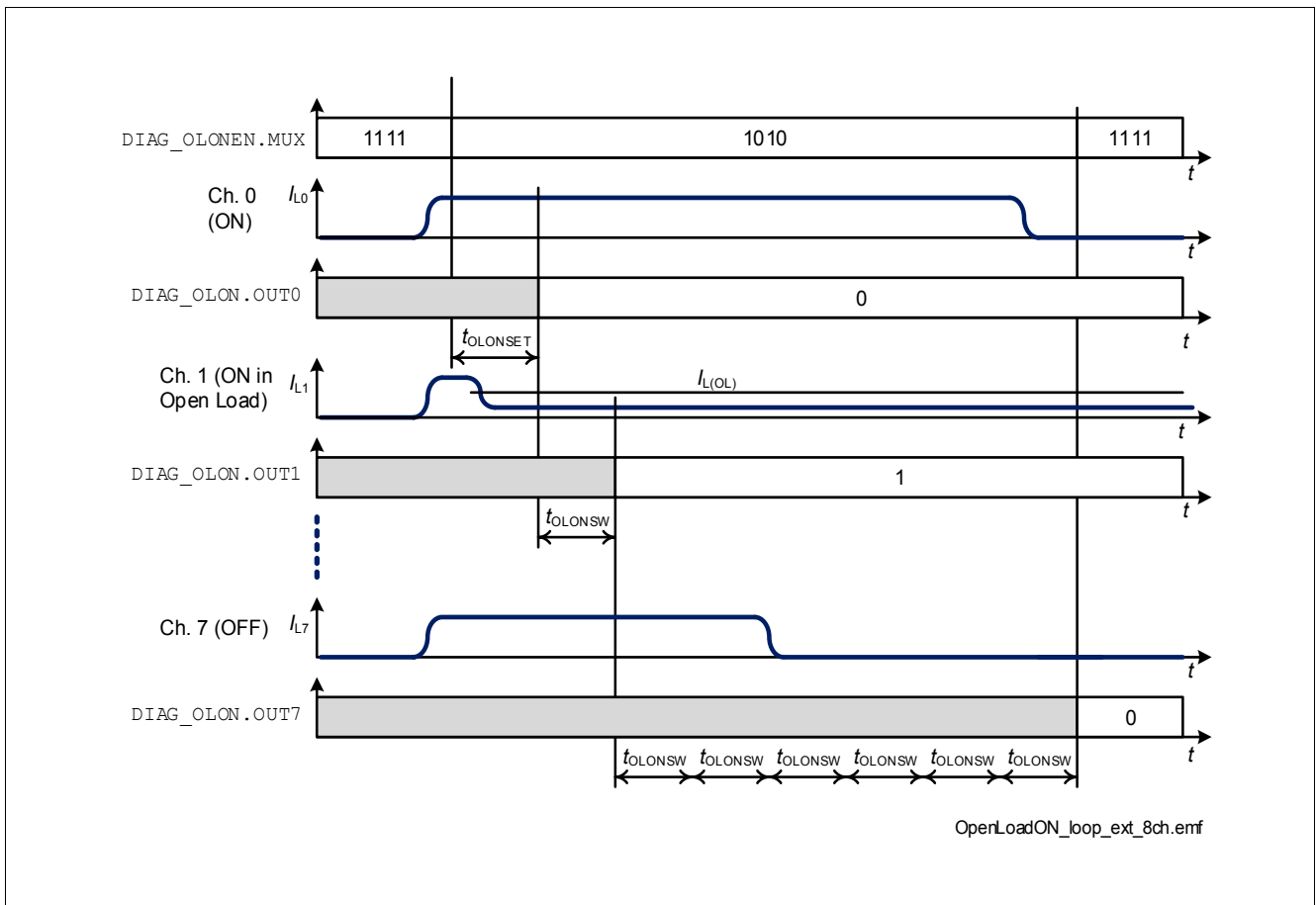


Figure 25 Open Load at ON timings (diagnosis loop - channels driven by micro-controller directly)

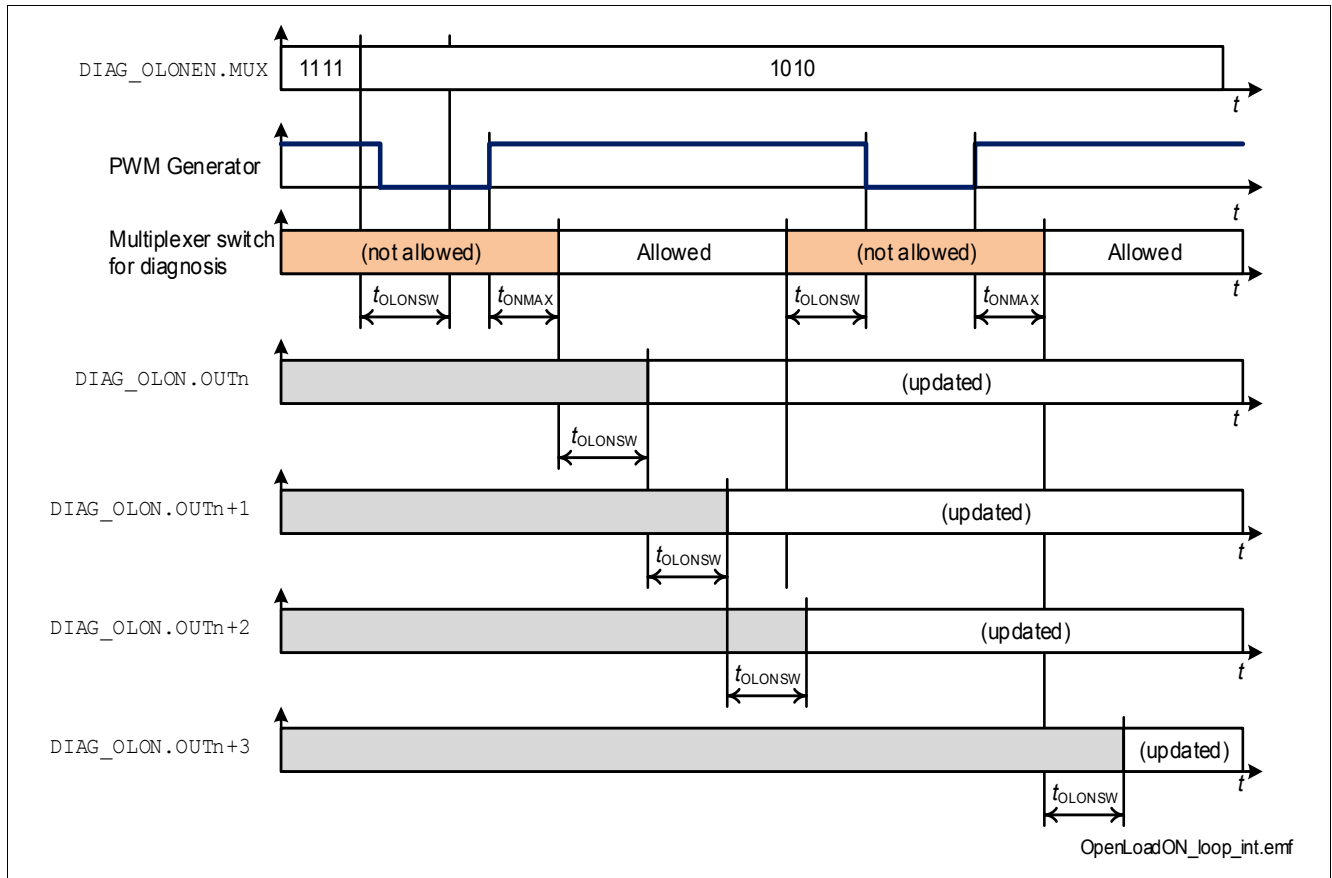


Figure 26 Open Load at ON timings (diagnosis loop - channels driven by internal PWM Generators)

9.3.3 OLON bit

The **OLON** bit can assume the following values:

- “0” = no Open Load at ON state detected, or the channel is OFF when the diagnosis is performed
- “1” = Open Load at ON state detected

According to the setting of `DIAG_OLONEN.MUX` different information are reported in the Standard Diagnosis.

- `DIAG_OLONEN.MUX` set to $0000_B \rightarrow 0111_B$: The **OLON** bit shows the Open Load at ON state diagnosis performed on the selected channel. The information is updated at every Standard Diagnosis readout.
- `DIAG_OLONEN.MUX` set to 1010_B : the **OLON** bit shows the “OR” combination of all bits in `DIAG_OLON` register. The information is updated while the diagnosis loop is running.
- `DIAG_OLONEN.MUX` set to 1111_B : the **OLON** bit shows the result of the latest diagnosis loop performed. It is necessary to start another diagnosis loop to update the information.
- `DIAG_OLONEN.MUX` set to any other value: The **OLON** bit is set to “0”. These values of `DIAG_OLONEN.MUX` bits are reserved and should not be used in the application.

9.4 Electrical Characteristics Diagnosis

Table 12 Electrical Characteristics Diagnosis

$V_{DD} = 3\text{ V to }5.5\text{ V}$, $V_S = 7\text{ V to }18\text{ V}$, $T_J = -40\text{ °C to }+150\text{ °C}$ (unless otherwise specified)

Typical values: $V_{DD} = 5\text{ V}$, $V_S = 13.5\text{ V}$, $T_J = 25\text{ °C}$

Parameter	Symbol	Values			Unit	Note / Test Condition	Number
		Min.	Typ.	Max.			
Output Status Monitor							
Output Status Monitor comparator settling time	t_{OSM}	–	–	20	μs	¹⁾	P_9.5.1
Output Status Monitor threshold voltage	$V_{OUT(OL)}$	3	3.3	3.6	V	²⁾	P_9.5.3
Output diagnosis current	I_{OL}	70	85	100	μA	$V_{OUT} = 3.3\text{ V}$	P_9.5.5
Open Load equivalent resistance	R_{OL}	30	–	300	$\text{k}\Omega$	¹⁾	P_9.5.6
Open Load at ON							
Open Load at ON Diagnosis waiting time before mux activation	t_{ONMAX}	40	58	76	μs	¹⁾	P_9.5.7
Open Load at ON Diagnosis settling time	$t_{OLONSET}$	–	20	40	μs	¹⁾	P_9.5.8
Open Load at ON Diagnosis channel switching time	t_{OLONSW}	–	10	20	μs	¹⁾	P_9.5.9
Open Load detection threshold current	$I_{L(OL)}$	1	6	10	mA	$T_J = -40\text{ °C}$	P_9.5.10
Open Load detection threshold current	$I_{L(OL)}$	–	6	–	mA	¹⁾ $T_J = 25\text{ °C}$	P_9.5.11
Open Load detection threshold current	$I_{L(OL)}$	1	6	10	mA	$T_J = 150\text{ °C}$	P_9.5.12

1) Not subject to production test - specified by design

2) Output status detection voltages are referenced to ground (GND pin)

10 Serial Peripheral Interface (SPI)

The serial peripheral interface (SPI) is a full duplex synchronous serial slave interface, which uses four lines: SO, SI, SCLK and CSN. Data is transferred by the lines SI and SO at the rate given by SCLK. The falling edge of CSN indicates the beginning of an access. Data is sampled in on line SI at the falling edge of SCLK and shifted out on line SO at the rising edge of SCLK. Each access must be terminated by a rising edge of CSN. A modulo 8/16 counter ensures that data is taken only when a multiple of 8 bit has been transferred after the first 16 bits. Otherwise a TER bit is asserted. In this way the interface provides daisy chain capability with 16 bit as well as with 8 bit SPI devices.

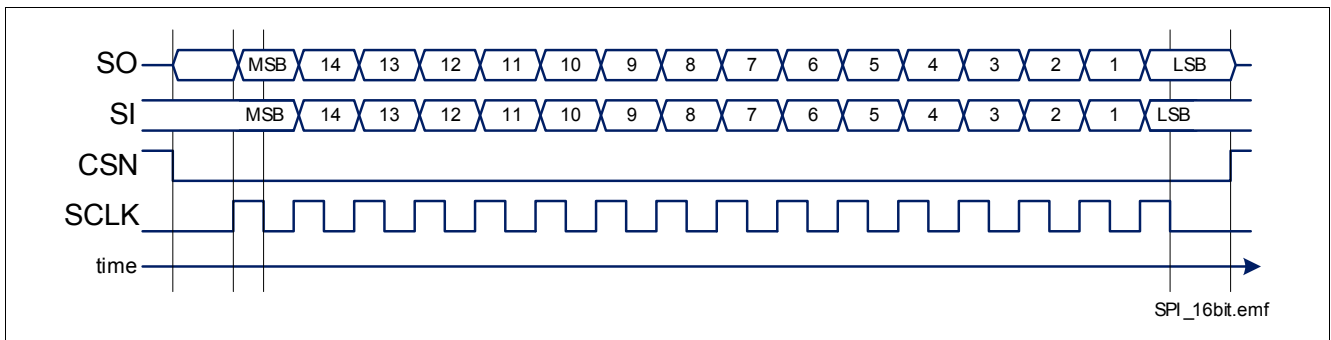


Figure 27 Serial Peripheral Interface

10.1 SPI Signal Description

CSN - Chip Select

The system microcontroller selects the TLE75080-EMH by means of the CSN pin. Whenever the pin is in "low" state, data transfer can take place. When CSN is in "high" state, any signals at the SCLK and SI pins are ignored and SO is forced into a high impedance state.

CSN "high" to "low" Transition

- The requested information is transferred into the shift register.
- SO changes from high impedance state to "high" or "low" state depending on the logic OR combination between the transmission error flag (TER) and the signal level at pin SI. This allows to detect a faulty transmission even in daisy chain configuration.
- If the device is in Sleep mode, SO pin remains in high impedance state and no SPI transmission occurs.

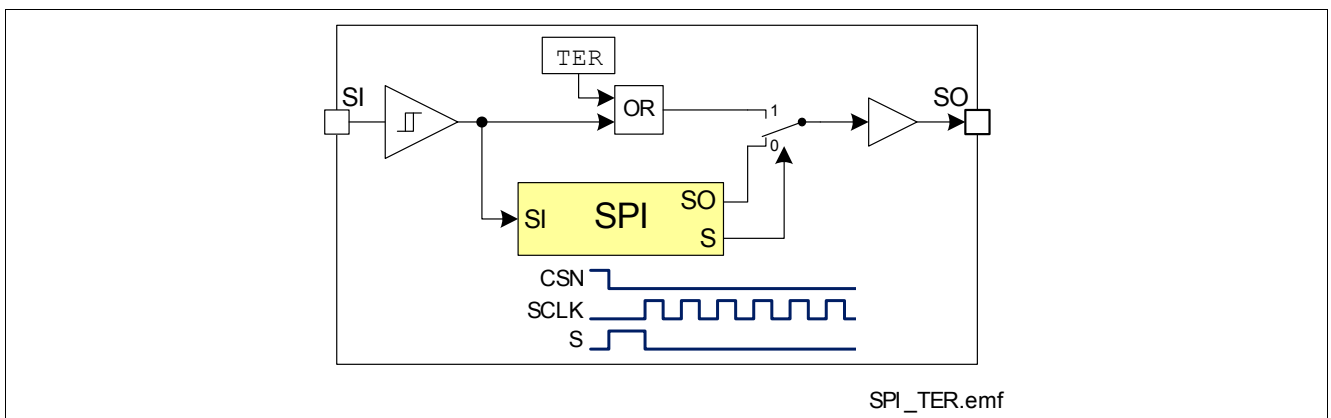


Figure 28 Combinatorial Logic for TER bit

CSN “low” to “high” Transition

- Command decoding is only done, when after the falling edge of CSN exactly a multiple (1, 2, 3, ...) of eight SCLK signals have been detected after the first 16 SCLK pulses. In case of faulty transmission, the transmission error bit (**TER**) is set and the command is ignored.
- Data from shift register is transferred into the addressed register.

SCLK - Serial Clock

This input pin clocks the internal shift register. The serial input (SI) transfers data into the shift register on the falling edge of SCLK while the serial output (SO) shifts diagnostic information out on the rising edge of the serial clock. It is essential that the SCLK pin is in “low” state whenever chip select CSN makes any transition, otherwise the command may be not accepted.

SI - Serial Input

Serial input data bits are shift-in at this pin, the most significant bit first. SI information is read on the falling edge of SCLK. The input data consists of two parts, control bits followed by data bits. Please refer to [Chapter 10.5](#) for further information.

SO Serial Output

Data is shifted out serially at this pin, the most significant bit first. SO is in high impedance state until the CSN pin goes to “low” state. New data appears at the SO pin following the rising edge of SCLK.

Please refer to [Chapter 10.5](#) for further information.

10.2 Daisy Chain Capability

The SPI of TLE75080-EMH provides daisy chain capability. In this configuration several devices are activated by the same CSN signal MCSN. The SI line of one device is connected with the SO line of another device (see [Figure 29](#)), in order to build a chain. The end of the chain is connected to the output and input of the master device, MO and MI respectively. The master device provides the master clock MCLK which is connected to the SCLK line of each device in the chain.

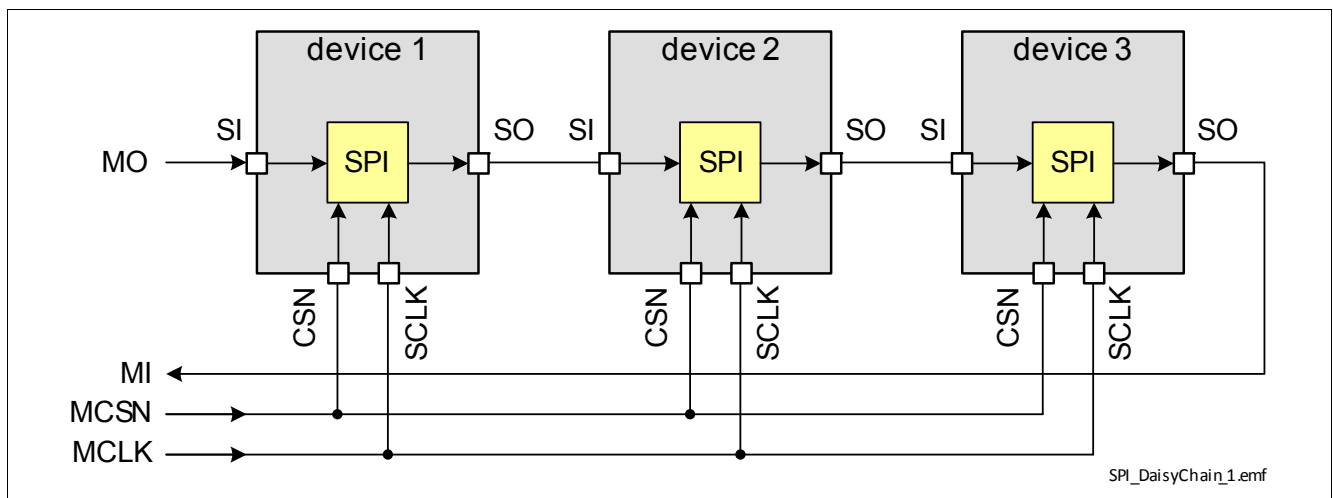


Figure 29 Daisy Chain Configuration

In the SPI block of each device, there is one shift register where each bit from SI line is shifted in each SCLK. The bit shifted out occurs at the SO pin. After sixteen SCLK cycles, the data transfer for one device is finished. In single chip configuration, the CSN line must turn “high” to make the device acknowledge the transferred data. In daisy

Serial Peripheral Interface (SPI)

chain configuration, the data shifted out at device 1 has been shifted in to device 2. When using three devices in daisy chain, several multiples of 8 bits have to be shifted through the devices (depending on how many devices with 8 bit SPI and how many with 16 bit SPI). After that, the MCSN line must turn “high” (see [Figure 30](#)).

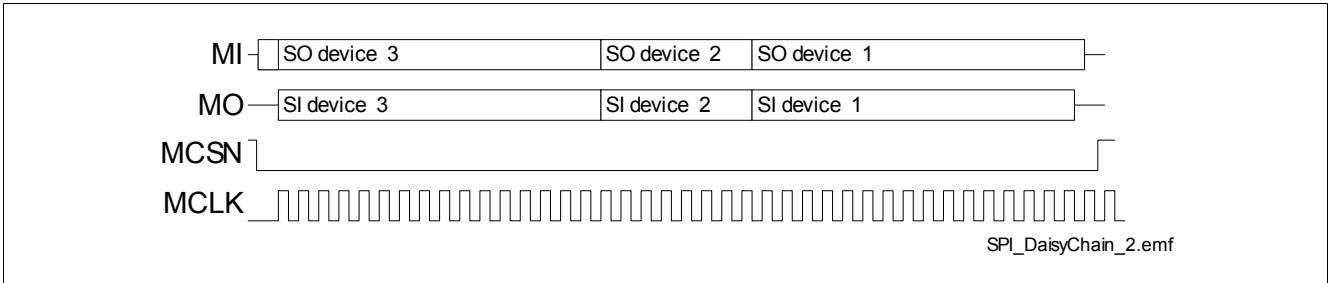


Figure 30 Data Transfer in Daisy Chain Configuration

10.3 Timing Diagrams

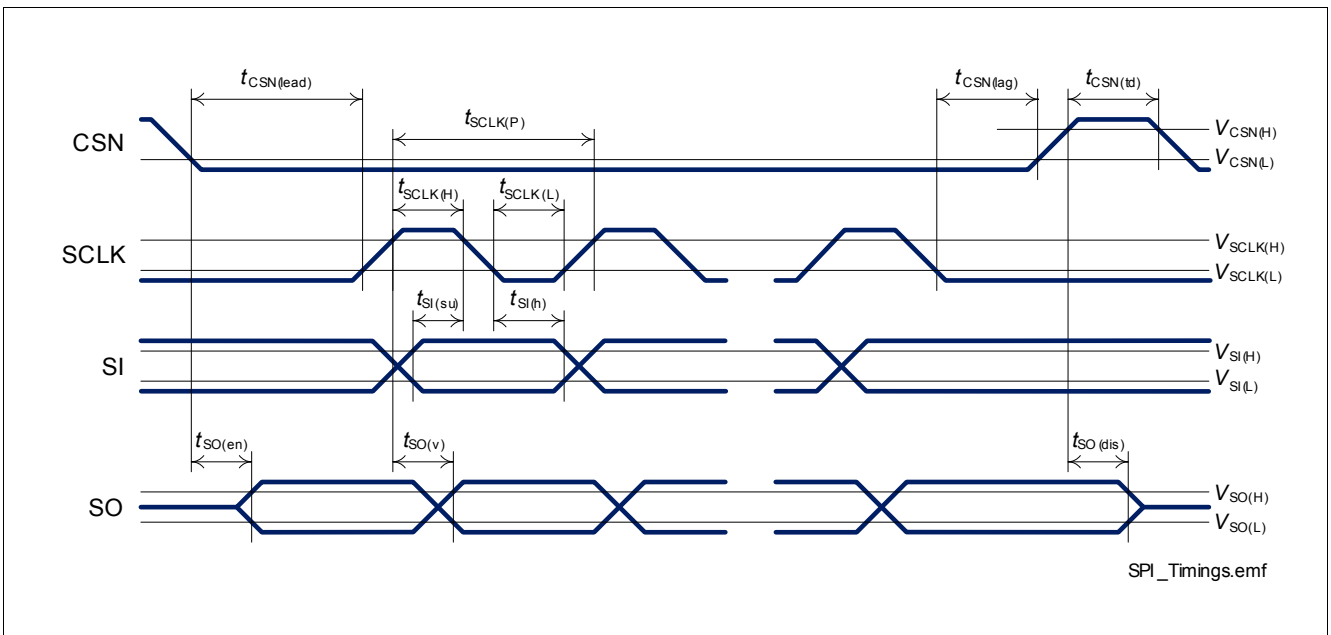


Figure 31 Timing Diagram SPI Access

10.4 Electrical Characteristics

$V_{DD} = 3\text{ V to }5.5\text{ V}$, $V_S = 7\text{ V to }18\text{ V}$, $T_J = -40\text{ °C to }+150\text{ °C}$ (unless otherwise specified)

Typical values: $V_{DD} = 5\text{ V}$, $V_S = 13.5\text{ V}$, $T_J = 25\text{ °C}$

Table 13 Electrical Characteristics Serial Peripheral Interface (SPI)

Parameter	Symbol	Values			Unit	Note / Test Condition	Number
		Min.	Typ.	Max.			
Input Characteristics (CSN, SCLK, SI) - "low" level of pin							
CSN	$V_{CSN(L)}$	0	–	0.8	V	–	P_10.4.1
SCLK	$V_{SCLK(L)}$	0	–	0.8	V	–	P_10.4.2
SI	$V_{SI(L)}$	0	–	0.8	V	–	P_10.4.3
Input Characteristics (CSN, SCLK, SI) - "high" level of pin							
CSN	$V_{CSN(H)}$	2	–	V_{DD}	V	–	P_10.4.4
SCLK	$V_{SCLK(H)}$	2	–	V_{DD}	V	–	P_10.4.5
SI	$V_{SI(H)}$	2	–	V_{DD}	V	–	P_10.4.6
Input Pull-Up Current at Pin CSN							
L-input pull-up current at CSN pin	$-I_{CSN(L)}$	30	60	90	μA	$V_{DD} = 5\text{ V}$ $V_{CSN} = 0.8\text{ V}$	P_10.4.7
H-input pull-up current at CSN pin	$-I_{CSN(H)}$	20	40	65	μA	$V_{DD} = 5\text{ V}$ $V_{CSN} = 2\text{ V}$	P_10.4.8
L-Input Pull-Down Current at Pin							
SCLK	$I_{SCLK(L)}$	5	12	20	μA	$V_{SCLK} = 0.8\text{ V}$	P_10.4.9
SI	$I_{SI(L)}$	5	12	20	μA	$V_{SI} = 0.8\text{ V}$	P_10.4.10
H-Input Pull-Down Current at Pin							
SCLK	$I_{SCLK(H)}$	14	28	45	μA	$V_{SCLK} = 2\text{ V}$	P_10.4.11
SI	$I_{SI(H)}$	14	28	45	μA	$V_{SI} = 2\text{ V}$	P_10.4.12
Output Characteristics (SO)							
L level output voltage	$V_{SO(L)}$	0	–	0.4	V	$I_{SO} = -1.5\text{ mA}$	P_10.4.13
H level output voltage	$V_{SO(H)}$	$V_{DD} - 0.4$	–	V_{DD}	V	$I_{SO} = 1.5\text{ mA}$	P_10.4.14
Output tristate leakage current	$I_{SO(OFF)}$	-1	–	1	μA	$V_{CSN} = V_{DD}$ $V_{SO} = 0\text{ V}$	P_10.4.15
Output tristate leakage current	$I_{SO(OFF)}$	-1	–	1	μA	$V_{CSN} = V_{DD}$ $V_{SO} = V_{DD}$	P_10.4.16
Timings							
Enable lead time (falling CSN to rising SCLK)	$t_{CSN(lead)}$	200	–	–	ns	¹⁾ $V_{DD} = 4.5\text{ V}$ or $V_S > 7\text{ V}$	P_10.4.17
Enable lag time (falling SCLK to rising CSN)	$t_{CSN(lag)}$	200	–	–	ns	¹⁾ $V_{DD} = 4.5\text{ V}$ or $V_S > 7\text{ V}$	P_10.4.18

Serial Peripheral Interface (SPI)
Table 13 Electrical Characteristics Serial Peripheral Interface (SPI) (cont'd)

Parameter	Symbol	Values			Unit	Note / Test Condition	Number
		Min.	Typ.	Max.			
Transfer delay time (rising CSN to falling CSN)	$t_{CSN(td)}$	250	–	–	ns	¹⁾ $V_{DD} = 4.5\text{ V}$ or $V_S > 7\text{ V}$	P_10.4.19
Output enable time (falling CSN to SO valid)	$t_{SO(en)}$	–	–	200	ns	¹⁾ $V_{DD} = 4.5\text{ V}$ or $V_S > 7\text{ V}$ $C_L = 20\text{ pF}$ at SO pin	P_10.4.20
Output disable time (rising CSN to SO tristate)	$t_{SO(dis)}$	–	–	200	ns	¹⁾ $V_{DD} = 4.5\text{ V}$ or $V_S > 7\text{ V}$ $C_L = 20\text{ pF}$ at SO pin	P_10.4.21
Serial clock frequency	f_{SCLK}	–	–	5	MHz	¹⁾ $V_{DD} = 4.5\text{ V}$ or $V_S > 7\text{ V}$	P_10.4.22
Serial clock period	$t_{SCLK(P)}$	200	–	–	ns	¹⁾ $V_{DD} = 4.5\text{ V}$ or $V_S > 7\text{ V}$	P_10.4.23
Serial clock “high” time	$t_{SCLK(H)}$	75	–	–	ns	¹⁾ $V_{DD} = 4.5\text{ V}$ or $V_S > 7\text{ V}$	P_10.4.24
Serial clock “low” time	$t_{SCLK(L)}$	75	–	–	ns	¹⁾ $V_{DD} = 4.5\text{ V}$ or $V_S > 7\text{ V}$	P_10.4.25
Data setup time (required time SI to falling SCLK)	$t_{SI(su)}$	20	–	–	ns	¹⁾ $V_{DD} = 4.5\text{ V}$ or $V_S > 7\text{ V}$	P_10.4.26
Data hold time (falling SCLK to SI)	$t_{SI(h)}$	20	–	–	ns	¹⁾ $V_{DD} = 4.5\text{ V}$ or $V_S > 7\text{ V}$	P_10.4.27
Output data valid time with capacitive load	$t_{SO(v)}$	–	–	100	ns	¹⁾ $V_{DD} = 4.5\text{ V}$ or $V_S > 7\text{ V}$ $C_L = 20\text{ pF}$ at SO pin	P_10.4.28
Enable lead time (falling CSN to rising SCLK)	$t_{CSN(lead)}$	1	–	–	μs	¹⁾ $V_{DD} = V_S = 3.0\text{ V}$	P_10.4.29
Enable lag time (falling SCLK to rising CSN)	$t_{CSN(lag)}$	1	–	–	μs	¹⁾ $V_{DD} = V_S = 3.0\text{ V}$	P_10.4.30
Transfer delay time (rising CSN to falling CSN)	$t_{CSN(td)}$	1.25	–	–	μs	¹⁾ $V_{DD} = V_S = 3.0\text{ V}$	P_10.4.31

Serial Peripheral Interface (SPI)
Table 13 Electrical Characteristics Serial Peripheral Interface (SPI) (cont'd)

Parameter	Symbol	Values			Unit	Note / Test Condition	Number
		Min.	Typ.	Max.			
Output enable time (falling CSN to SO valid)	$t_{SO(en)}$	–	–	1	μs	¹⁾ $V_{DD} = V_S = 3.0\text{ V}$ $C_L = 20\text{ pF}$ at SO pin	P_10.4.32
Output disable time (rising CSN to SO tristate)	$t_{SO(dis)}$	–	–	1	μs	¹⁾ $V_{DD} = V_S = 3.0\text{ V}$ $C_L = 20\text{ pF}$ at SO pin	P_10.4.33
Serial clock frequency	f_{SCLK}	–	–	1	MHz	¹⁾ $V_{DD} = V_S = 3.0\text{ V}$	P_10.4.34
Serial clock period	$t_{SCLK(P)}$	1	–	–	μs	¹⁾ $V_{DD} = V_S = 3.0\text{ V}$	P_10.4.35
Serial clock “high” time	$t_{SCLK(H)}$	375	–	–	ns	¹⁾ $V_{DD} = V_S = 3.0\text{ V}$	P_10.4.36
Serial clock “low” time	$t_{SCLK(L)}$	375	–	–	ns	¹⁾ $V_{DD} = V_S = 3.0\text{ V}$	P_10.4.37
Data setup time (required time SI to falling SCLK)	$t_{SI(su)}$	100	–	–	ns	¹⁾ $V_{DD} = V_S = 3.0\text{ V}$	P_10.4.38
Data hold time (falling SCLK to SI)	$t_{SI(h)}$	100	–	–	ns	¹⁾ $V_{DD} = V_S = 3.0\text{ V}$	P_10.4.39
Output data valid time with capacitive load	$t_{SO(v)}$	–	–	500	ns	¹⁾ $V_{DD} = V_S = 3.0\text{ V}$ $C_L = 20\text{ pF}$ at SO pin	P_10.4.40

1) Not subject to production test, specified by design

10.5 SPI Protocol

The relationship between SI and SO content during SPI communication is shown in [Figure 32](#). SI line represents the frame sent from the μC and SO line is the answer provided by TLE75080-EMH.

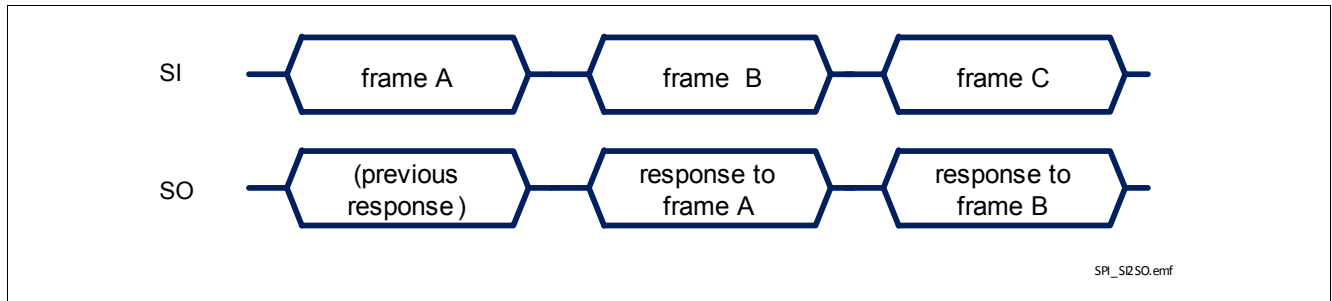


Figure 32 Relationship between SI and SO during SPI communication

The SPI protocol provides the answer to a command frame only with the next transmission triggered by the μC . Although the biggest majority of commands and frames implemented in TLE75080-EMH can be decoded without the knowledge of what happened before, it is advisable to consider what the μC sent in the previous transmission to decode TLE75080-EMH response frame completely.

More in detail, the sequence of commands to “read” and “write” the content of a register looks as follows:

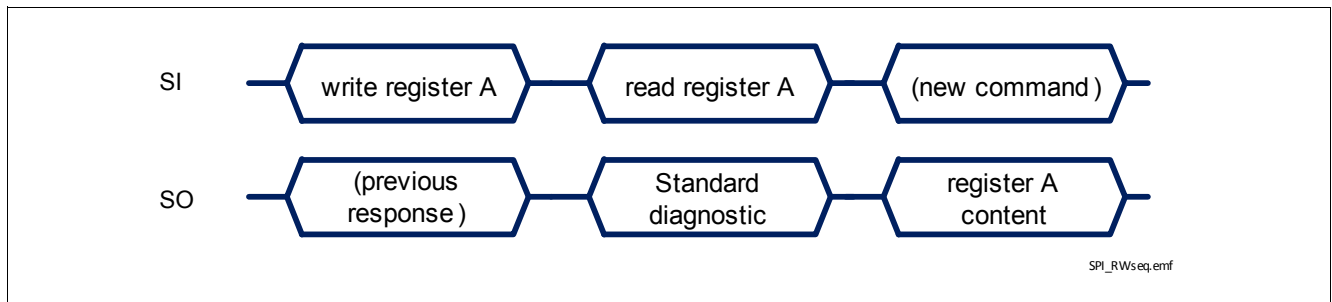


Figure 33 Register content sent back to μC

There are 3 special situations where the frame sent back to the μC is not related directly to the previous received frame:

- in case an error in transmission happened during the previous frame (for instance, the clock pulses were not multiple of 8 with a minimum of 16 bits), shown in [Figure 34](#)
- when TLE75080-EMH logic supply comes out of Power-On reset condition or after a Software Reset, as shown in [Figure 35](#)
- in case of command syntax errors
 - “write” command starting with “11” instead of “10”
 - “read” command starting with “00” instead of “01”
 - “read” or “write” commands on registers which are “reserved” or “not used”

Serial Peripheral Interface (SPI)

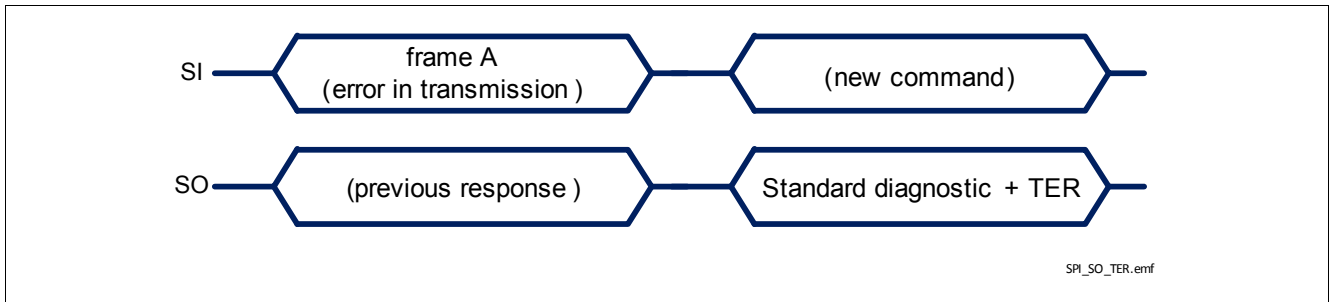


Figure 34 TLE75080-EMH response after a error in transmission

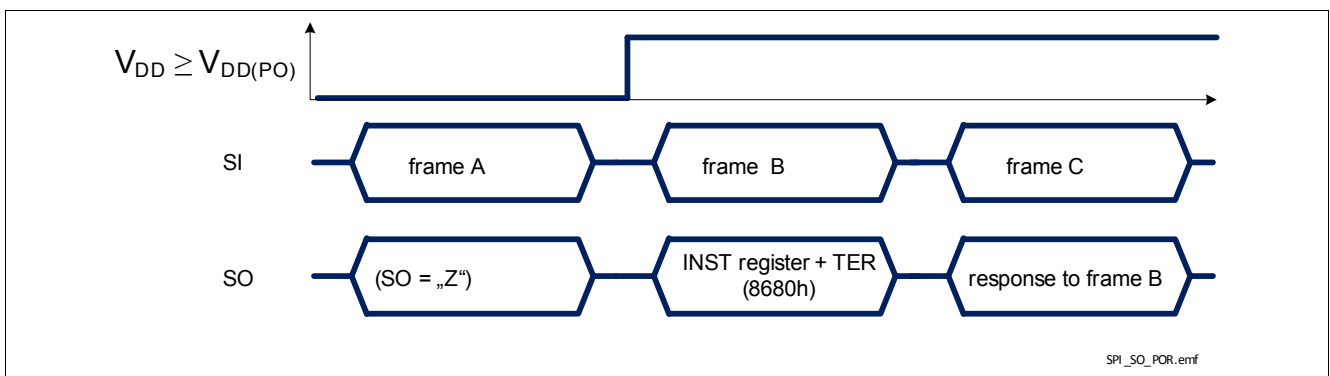


Figure 35 TLE75080-EMH response after coming out of Power-On reset at V_{DD}

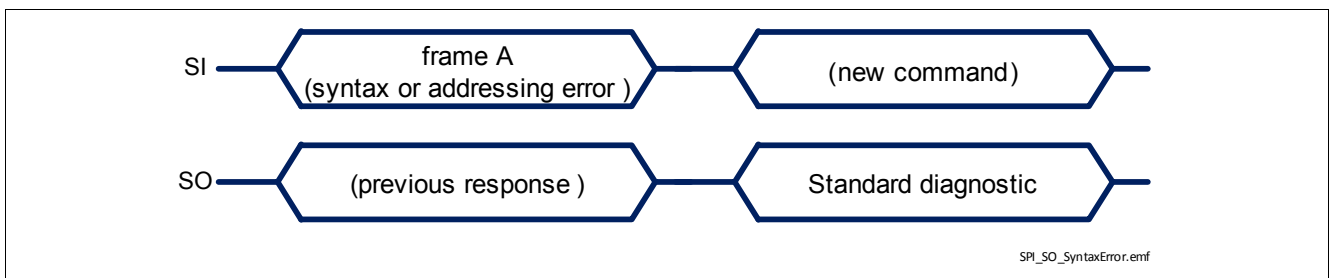


Figure 36 TLE75080-EMH response after a command syntax error

A summary of all possible SPI commands is presented in [Table 14](#), including the answer that TLE75080-EMH sends back at the next transmission.

Serial Peripheral Interface (SPI)

Table 14 SPI Command summary¹⁾

Requested Operation	Frame sent to SPIDER+ (SI pin)	Frame received from SPIDER+ (SO pin) with the next command
Read Standard Diagnosis	0xxxxxxxxxxxxxxxxx01 _B ("xxxxxxxxxxxxxxxx _B " = don't care)	0ddddddddddddddd _B (Standard Diagnosis)
Write 10 bit register	10aaaaccccccccccc _B where: "aaa _B " = register address ADDR0 "cccccccccc _B " = new register content	0ddddddddddddddd _B (Standard Diagnosis)
Read 10 bit registers	01aaaaxxxxxxxxxx10 _B where: "aaa _B " = register address ADDR0 "xxxxxxxx _B " = don't care	10aaaaccccccccccc _B where: "aaa _B " = register address ADDR0 "cccccccccc _B " = register content
Write 8 bit register	10aaaabbcccccccccc _B where: "aaa _B " = register address ADDR0 "bb _B " = register address ADDR1 "cccccccccc _B " = new register content	0ddddddddddddddd _B (Standard Diagnosis)
Read 8 bit registers	01aaaabbxxxxxxxx10 _B where: "aaa _B " = register address ADDR0 "bb _B " = register address ADDR1 "xxxxxxxx _B " = don't care	10aaaabbcccccccccc _B where: "aaa _B " = register address ADDR0 "bb _B " = register address ADDR1 "cccccccccc _B " = register content

1) "a" = address bits for ADDR0 field, "b" = address bit for ADDR1 field, "c" = register content, "d" = diagnostic bit

10.6 SPI Registers Overview

10.6.1 Standard Diagnosis

Table 15 Standard Diagnosis

15	14	13	12	11	10	9	8	7	6	5	4	3	2	1	0	Default
----	----	----	----	----	----	---	---	---	---	---	---	---	---	---	---	---------

0	UVR VS	LOP VDD	MODE	TER	OL ON	OL OFF	ERR									7800 _H
---	-----------	------------	------	-----	----------	-----------	-----	--	--	--	--	--	--	--	--	-------------------

Field	Bits	Type	Description
UVRVS	14	r	V_S Undervoltage Monitor 0 _B No undervoltage condition on V_S detected (see Chapter 6.2.1 for more details) 1 _B (default) There was at least one V_S Undervoltage condition since last Standard Diagnosis readout
LOPVDD	13	r	V_{DD} Lower Operating Range Monitor 0 _B V_{DD} is above $V_{DD(LOP)}$ 1 _B (default) There was at least one " $V_{DD} = V_{DD(LOP)}$ " condition since last Standard Diagnosis readout
MODE	12:11	r	Operative Mode Monitor 00 _B (reserved) 01 _B Limp Home Mode 10 _B Active Mode 11 _B (default) Idle Mode
TER	10	r	Transmission Error 0 _B Previous transmission was successful (modulo 16 + n*8 clocks received, where n = 0, 1, 2...) 1 _B (default) Previous transmission failed The first frame after a reset is TER set to "high" and the INST register. The second frame is the Standard Diagnosis with TER set to "low" (if there was no fail in the previous transmission).
OLON	9	r	Open Load at ON state Diagnosis 0 _B (default) No Open Load at ON detected 1 _B Open Load at ON detected See Chapter 9.3.3 for a detailed explanation

Serial Peripheral Interface (SPI)

Field	Bits	Type	Description
OLOFF	8	r	<p>Open Load in OFF Diagnosis</p> <p>0_B (default) All channels in OFF state (which have DIAG_IOL.OUTn bit set to "1") have $V_{OUT_S} < V_{OUT_S(OL)}$</p> <p>1_B At least one channel in OFF state (with DIAG_IOL.OUTn bit set to "1") has $V_{OUT_S} > V_{OUT_S(OL)}$</p> <p>Channels in ON state are not considered</p>
ERRn n = 7 to 0	n:0	r	<p>Over Load / Over Temperature Diagnosis of channel n</p> <p>0_B (default) No failure detected</p> <p>1_B Over Temperature or Over Load</p>

10.6.2 Register structure

The register banks the digital part have following structure:

Table 16 Register structure - all registers (with the exclusion of PWM_CR0 and PWM_CR1)

15	14	13	12	11	10	9	8	7	6	5	4	3	2	1	0	Default
----	----	----	----	----	----	---	---	---	---	---	---	---	---	---	---	---------

r = 0 w = 1	r = 1 w = 0	ADDR0	ADDR1	DATA	XXXX _H
----------------	----------------	-------	-------	------	-------------------

Table 17 Register structure - PWM_CR0 and PWM_CR1

15	14	13	12	11	10	9	8	7	6	5	4	3	2	1	0	Default
----	----	----	----	----	----	---	---	---	---	---	---	---	---	---	---	---------

r = 0 w = 1	r = 1 w = 0	ADDR0	DATA	XXXX _H
----------------	----------------	-------	------	-------------------

Table 18 summarizes the available registers with their addressing space and size

Table 18 Register addressing space

Register name	ADDR0	ADDR1	Size	Type	Purpose
OUT n = 7 to 0	0000 _B	00 _B	n	r/w	Power output control register bits OUT.OUTn 0 _B (default) Output is OFF 1 _B Output is ON
BIM	0000 _B	01 _B	8	r/w	Bulb Inrush Mode bits BIM.OUTn 0 _B (default) Output latches OFF in case of errors 1 _B Output restarts automatically in case of errors
MAPIN0 n = 7 to 0	0001 _B	00 _B	n	r/w	Input Mapping (Input Pin 0) bits MAPIN0.OUTn 0 _B (default) The output is not connected to the input pin 1 _B The output is connected to the input pin Note: Channel 2 has the corresponding bit set to "1" by default
MAPIN1 n = 7 to 0	0001 _B	01 _B	n	r/w	Input Mapping (Input Pin 1) bits MAPIN1.OUTn 0 _B (default) The output is not connected to the input pin 1 _B The output is connected to the input pin Note: Channel 3 has the corresponding bit set to "1" by default

Serial Peripheral Interface (SPI)

Table 18 Register addressing space (cont'd)

Register name	ADDR0	ADDR1	Size	Type	Purpose
INST	0001 _B	10 _B	8	r	Input Status Monitor bit TER 0 _B Previous transmission was successful (modulo 16 + n*8 clocks received, where n = 0, 1, 2...) 1 _B (default) Previous transmission failed bits INST.RES (6:2) - reserved bits INST.INn (1:0) 0 _B (default) The input pin is set to "low" 1 _B The input pin is set to "high" First register transmitted after a reset of the logic
DIAG_IOL n = 7 to 0	0010 _B	00 _B	n	r/w	Open Load diagnostic current control bits DIAG_IOL.OUTn 0 _B (default) Diagnosis current not enabled 1 _B Diagnosis current enabled
DIAG_OSM n = 7 to 0	0010 _B	01 _B	n	r	Output Status Monitor bits DIAG_OSM.OUTn 0 _B (default) $V_{OUT_S} < V_{OUT_S(OL)}$ 1 _B $V_{OUT_S} > V_{OUT_S(OL)}$
DIAG_OLON	0010 _B	10 _B	8	r	Open Load at ON monitor bits DIAG_OLON.OUTn 0 _B (default) normal operation or diagnosis performed on channel OFF 1 _B Open Load at ON detected This feature is active only on
DIAG_OLONEN	0010 _B	11 _B	8	r/w	Open Load at ON diagnostic control bits (7:4) - reserved bits DIAG_OLONEN.MUX (3:0) 0000 _B Open Load at ON diagnostic active on channel 0 0001 _B Open Load at ON diagnostic active on channel 1 0010 _B Open Load at ON diagnostic active on channel 2 0011 _B Open Load at ON diagnostic active on channel 3 0100 _B Open Load at ON diagnostic active on channel 4 0101 _B Open Load at ON diagnostic active on channel 5 0110 _B Open Load at ON diagnostic active on channel 6 0111 _B Open Load at ON diagnostic active on channel 7 1000 _B (reserved) 1001 _B (reserved) 1010 _B Open Load at ON diagnosis loop start 1011 _B (reserved) 1100 _B (reserved) 1101 _B (reserved) 1110 _B (reserved) 1111 _B (default) Open Load at ON diagnostic not active

Serial Peripheral Interface (SPI)

Table 18 Register addressing space (cont'd)

Register name	ADDR0	ADDR1	Size	Type	Purpose
HWCR	0011 _B	00 _B	8	r/w	Hardware Configuration Register bit HWCR.ACT (7) (Active Mode) 0 _B (default) Normal operation or device leaves Active Mode 1 _B Device enters Active Mode (see Chapter 6.1 for a description of the possible operative mode transitions) bit HWCR.RST (6) (Reset) 0 _B (default) Normal operation 1 _B Execute Reset command (self clearing) bits HWCR.PAR (3:0) (channels operating in parallel) 0 _B (default) Normal operation 1 _B two neighbour channels have Over Load and Over Temperature synchronized (see Chapter 7.3 for more details) bits 5:4 - reserved (default: 0 _B)
HWCR_OCL n = 7 to 0	0011 _B	01 _B	n	w	Output Clear Latch bits HWCR_OCL.OUT _n 0 _B (default) Normal operation 1 _B Clear the error latch for the selected output
HWCR_PWM	0011 _B	10 _B	8	r/w	PWM Configuration Register bits HWCR_PWM.ADJ (7:4) 0000 _B (reserved) 0001 _B base frequency $f_{INT} - 37.2\%$ 0010 _B base frequency $f_{INT} - 31.9\%$ 0011 _B base frequency $f_{INT} - 26.9\%$ 0100 _B base frequency $f_{INT} - 21.0\%$ 0101 _B base frequency $f_{INT} - 15.5\%$ 0110 _B base frequency $f_{INT} - 10.9\%$ 0111 _B base frequency $f_{INT} - 5.8\%$ 1000 _B (default) base frequency f_{INT} 1001 _B base frequency $f_{INT} + 4.3\%$ 1010 _B base frequency $f_{INT} + 8.9\%$ 1011 _B base frequency $f_{INT} + 14.0\%$ 1100 _B base frequency $f_{INT} + 19.5\%$ 1101 _B base frequency $f_{INT} + 25.6\%$ 1110 _B base frequency $f_{INT} + 32.4\%$ 1111 _B base frequency $f_{INT} + 40.0\%$ bits HWCR_PWM.PWM1 (1) 0 _B (default) PWM Generator 1 not active 1 _B PWM Generator 1 active bits HWCR_PWM.PWM0 (0) 0 _B (default) PWM Generator 0 not active 1 _B PWM Generator 0 active bits HWCR_PWM.RES (3:2) - reserved

Table 18 Register addressing space (cont'd)

Register name	ADDR0	ADDR1	Size	Type	Purpose
PWM_CR0	0100 _B	–	10	r/w	PWM Generator Configuration 0 bits PWM_CR0.FREQ (9:8) 00 _B (default) internal clock divided by 1024 01 _B internal clock divided by 512 10 _B internal clock divided by 256 11 _B 100% duty cycle bits PWM_CR0.DC (7:0) (resolution: 0.39%) 00000000 _B , PWM generator is OFF 11111111 _B , PWM generator is ON (99.61% duty cycle)
PWM_CR1	0101 _B	–	10	r/w	PWM Generator Configuration 1 bits PWM_CR1.FREQ (9:8) 00 _B (default) internal clock divided by 1024 01 _B internal clock divided by 512 10 _B internal clock divided by 256 11 _B 100% duty cycle bits PWM_CR1.DC (7:0) (resolution: 0.39%) 00000000 _B , PWM generator is OFF 11111111 _B , PWM generator is ON (99.61% duty cycle)
PWM_OUT	1001 _B	00 _B	8	r/w	PWM Generator Output Control bits PWM_OUT.OUTn 0 _B (default) The selected output is not driven by one of the two PWM Generators 1 _B The selected output is connected to a PWM Generator
PWM_MAP	1001 _B	01 _B	8	r/w	PWM Generator Output Mapping bits PWM_MAP.OUTn 0 _B (default) The selected output is connected to PWM Generator 0 1 _B The selected output is connected to PWM Generator 1 It is necessary to set the PWM_OUT register to activate the PWM Generator control for the outputs.

10.6.3 Register summary

All registers with addresses not mentioned in [Table 19](#) and [Table 20](#) have to be considered as “reserved”. “Read” operations performed on those registers return the Standard Diagnosis. The column “Default” indicates the content of the register (8 or 10 bits) after a reset.

Table 19 Addressable registers (basic functions)

15	14	13-10	9	8	7	6	5	4	3	2	1	0	Default
r = 0 w = 1	r = 1 w = 0	0000	00										00 _H
r = 0 w = 1	r = 1 w = 0	0001	00										04 _H
r = 0 w = 1	r = 1 w = 0	0001	01										08 _H

Serial Peripheral Interface (SPI)

Table 19 Addressable registers (basic functions)

15	14	13-10	9	8	7	6	5	4	3	2	1	0	Default
0	1	0001	10		TER	(reserved)					INST.INn	00 _H	
r = 0 w = 1	r = 1 w = 0	0010	00		DIAG_IOL.OUTn							00 _H	
0	1	0010	01		DIAG_OSM.OUTn							00 _H	
r = 0 w = 1	r = 1 w = 0	0011	00		HWCR .ACT	HWCR .RST	(reserved)		HWCR.PAR			00 _H	
r = 0 w = 1	r = 1 w = 0	0011	01		HWCR_OCL.OUTn							00 _H	

Table 20 Addressable registers (advanced functions)

15	14	13-10	9	8	7	6	5	4	3	2	1	0	Default
r = 0 w = 1	r = 1 w = 0	0000	01		BIM.OUTn							00 _H	
r = 0 w = 1	r = 1 w = 0	0010	10		DIAG_OLON.OUTn							00 _H	
r = 0 w = 1	r = 1 w = 0	0010	11		(reserved)				DIAG_OLONEN.MUX				0F _H
r = 0 w = 1	r = 1 w = 0	0011	10		HWCR_PWM.ADJ				(reserved)		HWCR _PWM .PWM 1	HWCR _PWM .PWM 0	80 _H
r = 0 w = 1	r = 1 w = 0	0100		PWM_CR0.FR EQ	PWM_CR0.DC							000 _H	
r = 0 w = 1	r = 1 w = 0	0101		PWM_CR1.FR EQ	PWM_CR1.DC							000 _H	
r = 0 w = 1	r = 1 w = 0	1001	00		PWM_OUT.OUTn							00 _H	
r = 0 w = 1	r = 1 w = 0	1001	01		PWM_MAP.OUTn							00 _H	

10.6.4 SPI command quick list

A summary of the most used SPI commands (read and write operations on all registers) is shown in [Table 21](#)

Table 21 SPI command quick list

Register	“read” command”	“write” command	content written
OUT	4002 _H	80XX _H	XX _H = xxxxxxxx _B
BIM	4102 _H	81XX _H	XX _H = xxxxxxxx _B
MAPIN0	4402 _H	84XX _H	XX _H = xxxxxxxx _B
MAPIN1	4502 _H	85XX _H	XX _H = xxxxxxxx _B
INST	4602 _H	n.a. (read-only)	–
DIAG_IOL	4802 _H	88XX _H	XX _H = xxxxxxxx _B

Serial Peripheral Interface (SPI)

Table 21 SPI command quick list (cont'd)

Register	“read” command”	“write” command	content written
DIAG_OSM	4902 _H	n.a. (read-only)	–
DIAG_OLON	4A02 _H	8AXX _H	XX _H = xxxxxxxx _B
DIAG_OLONEN	4B02 _H	8BXX _H	XX _H = xxxxxxxx _B
HWCR	4C02 _H	8CXX _H	XX _H = xxxxxxxx _B
HWCR_OCL	4D02 _H	8DXX _H	XX _H = xxxxxxxx _B
HWCR_PWM	4E02 _H	8EXX _H	XX _H = xxxxxxxx _B
PWM_CR0	5002 _H	90XX _H	0XX _H = 00xxxxxxxx _B
		91XX _H	1XX _H = 01xxxxxxxx _B
		92XX _H	2XX _H = 10xxxxxxxx _B
		93XX _H	3XX _H = 11xxxxxxxx _B
PWM_CR1	5402 _H	94XX _H	0XX _H = 00xxxxxxxx _B
		95XX _H	1XX _H = 01xxxxxxxx _B
		96XX _H	2XX _H = 10xxxxxxxx _B
		97XX _H	3XX _H = 11xxxxxxxx _B
PWM_OUT	6402 _H	A4XX _H	XX _H = xxxxxxxx _B
PWM_MAP	6502 _H	A5XX _H	XX _H = xxxxxxxx _B

11 Application Information

Note: The following information is given as a hint for the implementation of the device only and shall not be regarded as a description or warranty of a certain functionality, condition or quality of the device.

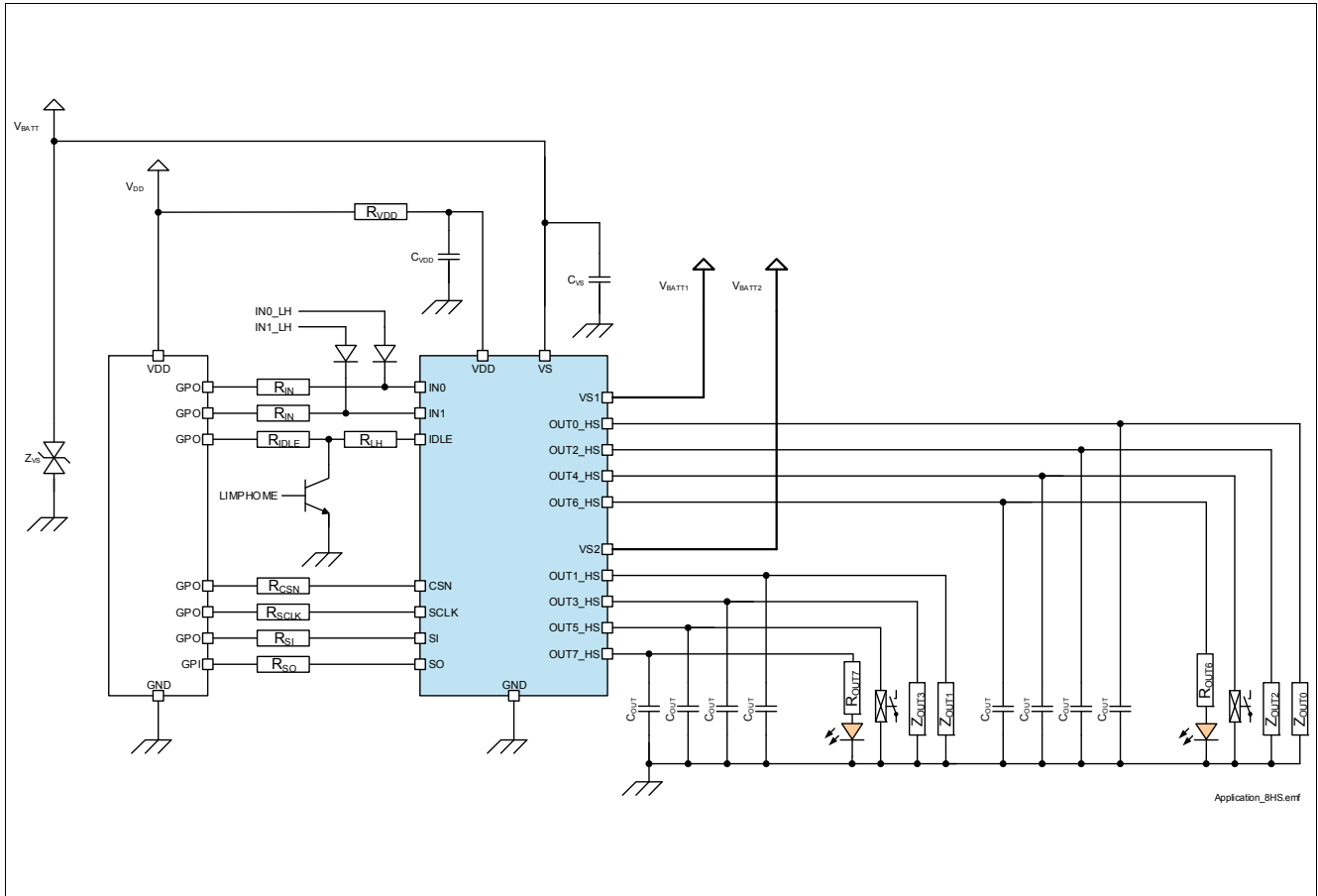


Figure 37 TLE75080-EMH Application Diagram

Note: This is a very simplified example of an application circuit. The function must be verified in the real application.

Table 22 Suggested Component values

Reference	Value	Purpose
R_{IN}	4.7 k Ω	Protection of the micro-controller during Over Voltage and Reverse Polarity Guarantee TLE75080-EMH channels OFF during Loss of Ground
R_{IDLE}	4.7 k Ω	Protection of the micro-controller during Over Voltage and Reverse Polarity Guarantee TLE75080-EMH channels OFF during Loss of Ground
R_{CSN}	500 Ω	Protection of the micro-controller during Over Voltage and Reverse Polarity
R_{SCLK}	500 Ω	Protection of the micro-controller during Over Voltage and Reverse Polarity
R_{SI}	500 Ω	Protection of the micro-controller during Over Voltage and Reverse Polarity
R_{SO}	500 Ω	Protection of the micro-controller during Over Voltage and Reverse Polarity
R_{VDD}	100 Ω	Logic supply voltage spikes filtering
C_{VDD}	100 nF	Logic supply voltage spikes filtering
C_{VS}	68 nF	Analog supply voltage spikes filtering

Table 22 Suggested Component values (cont'd)

Reference	Value	Purpose
Z_{VS}	P6SMB30	Protection of device during Over Voltage. Zener diode
C_{OUT}	10 nF	Protection of TLE75080-EMH against ESD and BCI

11.1 Further Application Information

- Please contact us for information regarding the Pin FMEA
- For further information you may contact <http://www.infineon.com/>

12 Package Outlines

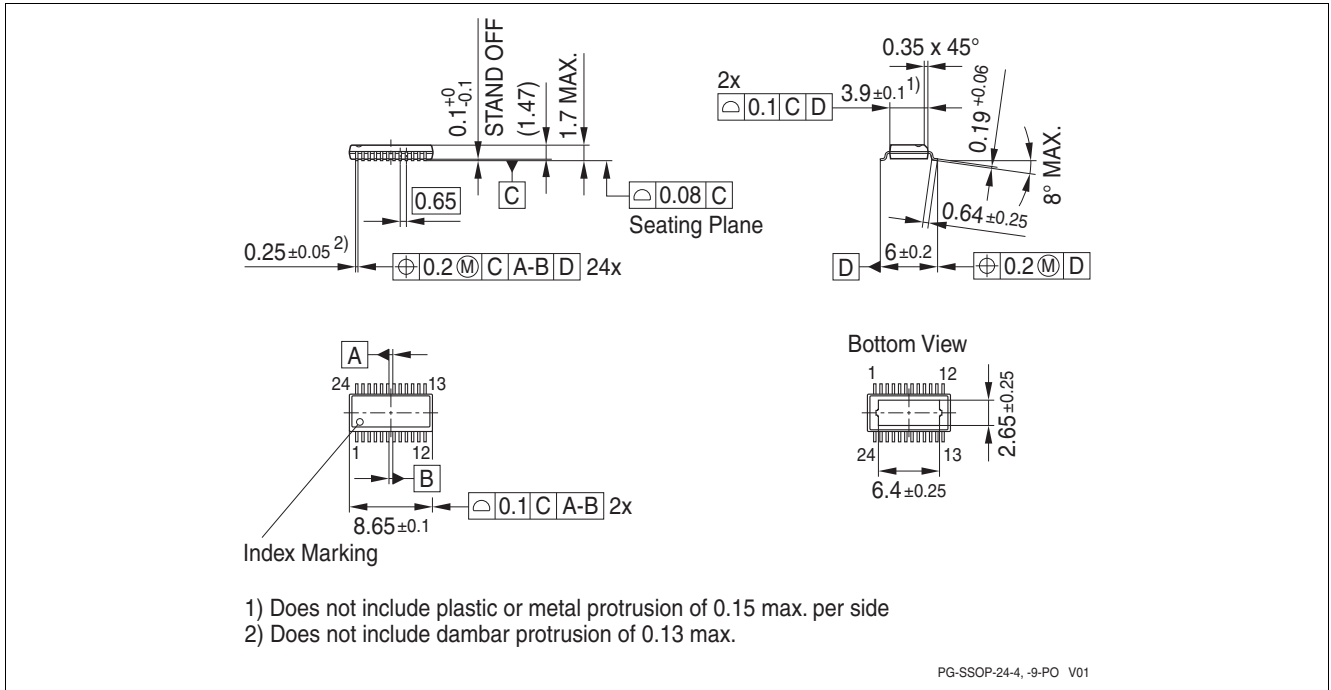


Figure 38 PG-SSOP-24-9 Package drawing

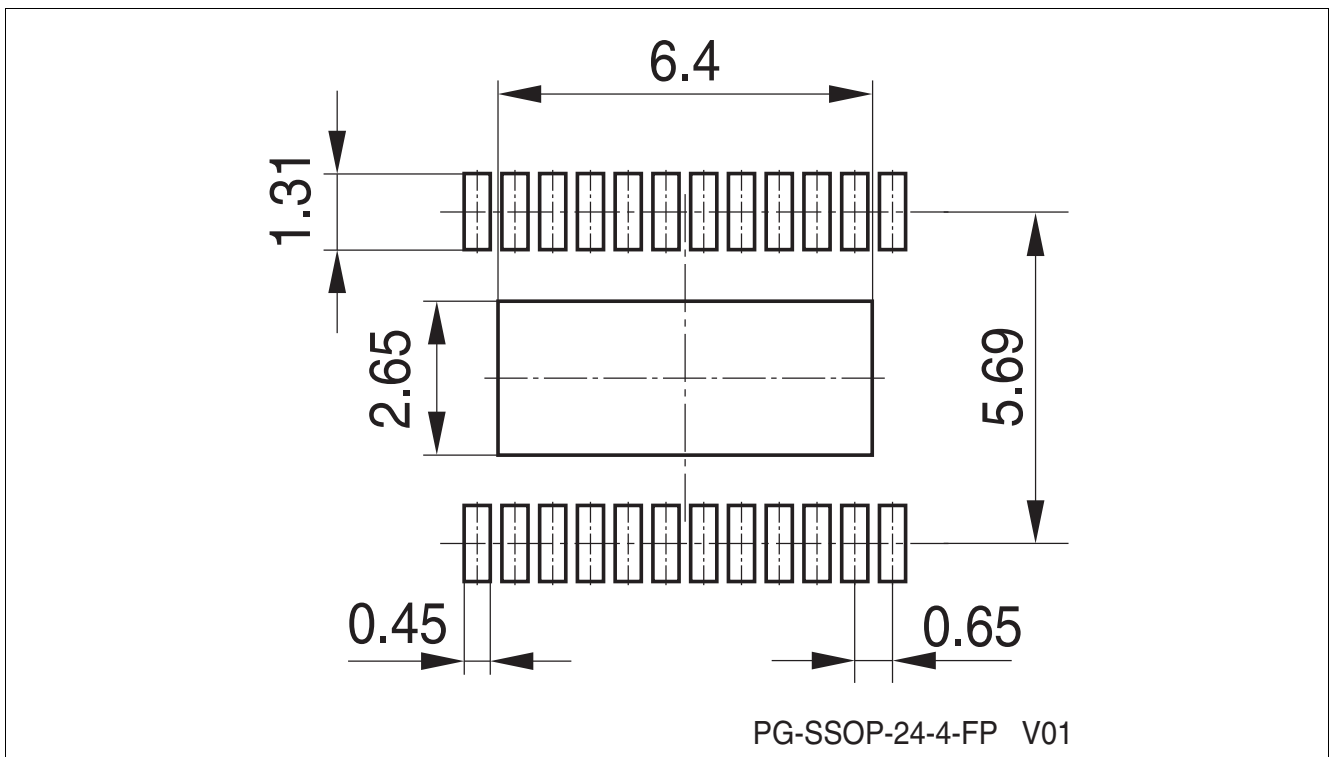


Figure 39 TLE75080-EMH Package pads and stencil

Note: Although the package footprint refer to PG-SSOP-24-4, they can be used as reference also the PG-SSOP-24-9 (physical dimensions are the same).

Green Product (RoHS compliant)

To meet the world-wide customer requirements for environmentally friendly products and to be compliant with government regulations the device is available as a green product. Green products are RoHS-Compliant (i.e Pb-free finish on leads and suitable for Pb-free soldering according to IPC/JEDEC J-STD-020).

13 Revision History

Page or Item	Changes since previous revision
All	
Rev. 1.0, 2016-06-22	
TLE75080-EMH	Datasheet released
LED package	

Trademarks of Infineon Technologies AG

AURIX™, C166™, CanPAK™, CIPOS™, CIPURSE™, EconoPACK™, CoolMOS™, CoolSET™, CORECONTROL™, CROSSAVE™, DAVE™, DI-POL™, EasyPIM™, EconoBRIDGE™, EconoDUAL™, EconoPIM™, EconoPACK™, EiceDRIVER™, eupec™, FCOS™, HITFET™, HybridPACK™, I²RF™, ISOFACE™, IsoPACK™, MIPAQ™, ModSTACK™, my-d™, NovalithIC™, OptiMOS™, ORIGA™, POWERCODE™, PRIMARION™, PrimePACK™, PrimeSTACK™, PRO-SIL™, PROFET™, RASIC™, ReverSave™, SatRIC™, SIEGET™, SINDRION™, SIPMOS™, SmartLEWIS™, SOLID FLASH™, TEMPFET™, thinQ!™, TRENCHSTOP™, TriCore™.

Other Trademarks

Advance Design System™ (ADS) of Agilent Technologies, AMBA™, ARM™, MULTI-ICE™, KEIL™, PRIMECELL™, REALVIEW™, THUMB™, µVision™ of ARM Limited, UK. AUTOSAR™ is licensed by AUTOSAR development partnership. Bluetooth™ of Bluetooth SIG Inc. CAT-iq™ of DECT Forum. COLOSSUS™, FirstGPS™ of Trimble Navigation Ltd. EMV™ of EMVCo, LLC (Visa Holdings Inc.). EPCOS™ of Epcos AG. FLEXGO™ of Microsoft Corporation. FlexRay™ is licensed by FlexRay Consortium. HYPERTERMINAL™ of Hilgraeve Incorporated. IEC™ of Commission Electrotechnique Internationale. IrDA™ of Infrared Data Association Corporation. ISO™ of INTERNATIONAL ORGANIZATION FOR STANDARDIZATION. MATLAB™ of MathWorks, Inc. MAXIM™ of Maxim Integrated Products, Inc. MICROTEC™, NUCLEUS™ of Mentor Graphics Corporation. MIPI™ of MIPI Alliance, Inc. MIPS™ of MIPS Technologies, Inc., USA. muRata™ of MURATA MANUFACTURING CO., MICROWAVE OFFICE™ (MWO) of Applied Wave Research Inc., OmniVision™ of OmniVision Technologies, Inc. Openwave™ Openwave Systems Inc. RED HAT™ Red Hat, Inc. RFMD™ RF Micro Devices, Inc. SIRIUS™ of Sirius Satellite Radio Inc. SOLARIS™ of Sun Microsystems, Inc. SPANSION™ of Spansion LLC Ltd. Symbian™ of Symbian Software Limited. TAIYO YUDEN™ of Taiyo Yuden Co. TEAKLITE™ of CEVA, Inc. TEKTRONIX™ of Tektronix Inc. TOKO™ of TOKO KABUSHIKI KAISHA TA. UNIX™ of X/Open Company Limited. VERILOG™, PALLADIUM™ of Cadence Design Systems, Inc. VLYNQ™ of Texas Instruments Incorporated. VXWORKS™, WIND RIVER™ of WIND RIVER SYSTEMS, INC. ZETEX™ of Diodes Zetex Limited.

Last Trademarks Update 2011-11-11

Edition 2016-06-22

**Published by
Infineon Technologies AG
81726 Munich, Germany**

**© 2016 Infineon Technologies AG
All Rights Reserved.**

Legal Disclaimer

The information given in this document shall in no event be regarded as a guarantee of conditions or characteristics. With respect to any examples or hints given herein, any typical values stated herein and/or any information regarding the application of the device, Infineon Technologies hereby disclaims any and all warranties and liabilities of any kind, including without limitation, warranties of non-infringement of intellectual property rights of any third party.

Information

For further information on technology, delivery terms and conditions and prices, please contact the nearest Infineon Technologies Office (www.infineon.com).

Warnings

Due to technical requirements, components may contain dangerous substances. For information on the types in question, please contact the nearest Infineon Technologies Office.

Infineon Technologies components may be used in life-support devices or systems only with the express written approval of Infineon Technologies, if a failure of such components can reasonably be expected to cause the failure of that life-support device or system or to affect the safety or effectiveness of that device or system. Life support devices or systems are intended to be implanted in the human body or to support and/or maintain and sustain and/or protect human life. If they fail, it is reasonable to assume that the health of the user or other persons may be endangered.