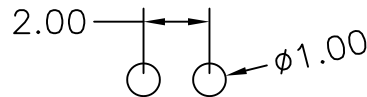
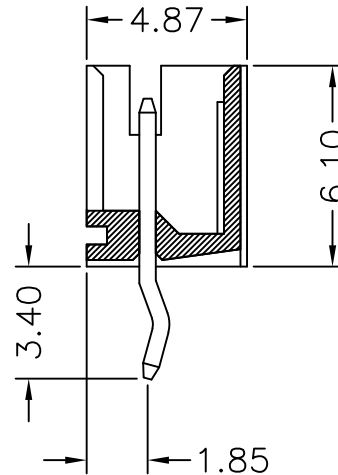


0.5mm±0.05 square pin



Top view

Recommended P.C.B Layout

MATERIAL

Insulator : NYLON 66+30% Glass fiber UL94-V0

Contact Pin : Brass

SPECIFICATION

Current Rate : 2 AMP

Dielectric voltage : 800V AC for one minute

Insulation Resistance : 1000MΩMin.

△ Contact Resistance : 20mΩMax

Voltage Rating :12V/DC

适用波峰焊制程温度; 260°C±5°C 3~5s

Operating Temperature:-55° C to +105° C

721-8 1-02 5 W 00
 1 2 3 4 5

- 1. 8: Green Product
- 2. No. of contacts per row
- 3. G: Gold flash
- S: Selective
- T: Tin plated
- 5: Matte Tin plated
- 4. B: Black insulator
- W: White insulator
- 5. Pinrex internal code.



			TOLERANCE	UNITS : mm		OLD PART NO.	TITLE	頻銳科技股份有限公司 PINREX TECHNOLOGY CORP.
D	修改絕緣抗阻, 100Ω-->20Ω	2018/06/14	.0 =±.30	SCALE	SIZE	DRAWER	CHECK	
C	增加工作溫度	2017/11/07	.00 =±.20	NONE	A4	楊海琴	李劍	NEW PART NO. 721-81-025W00
B	增加防火等級	2014/09/24	.000 =±.XXX	SHEET	REV.	1 OF 1	APP'D	
A	RELEASE	2013/05/17	.0000=±.				李劍	
REV.	DESCRIPTION	DATE	ANG.=±3'					