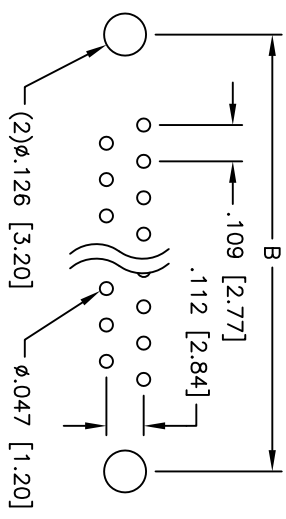
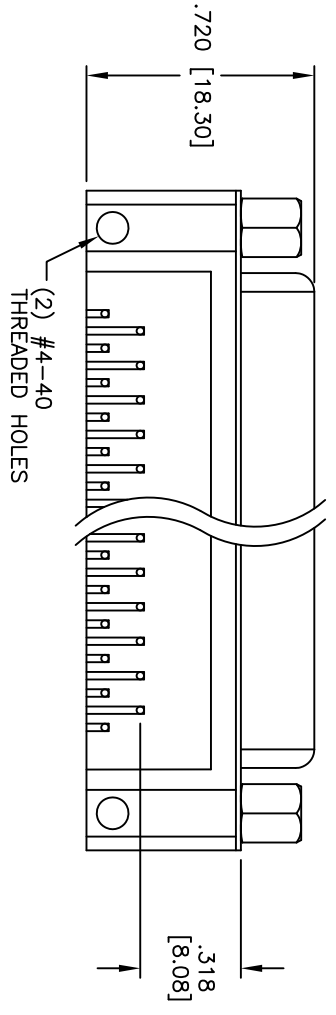
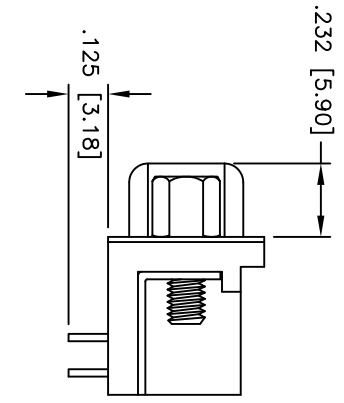
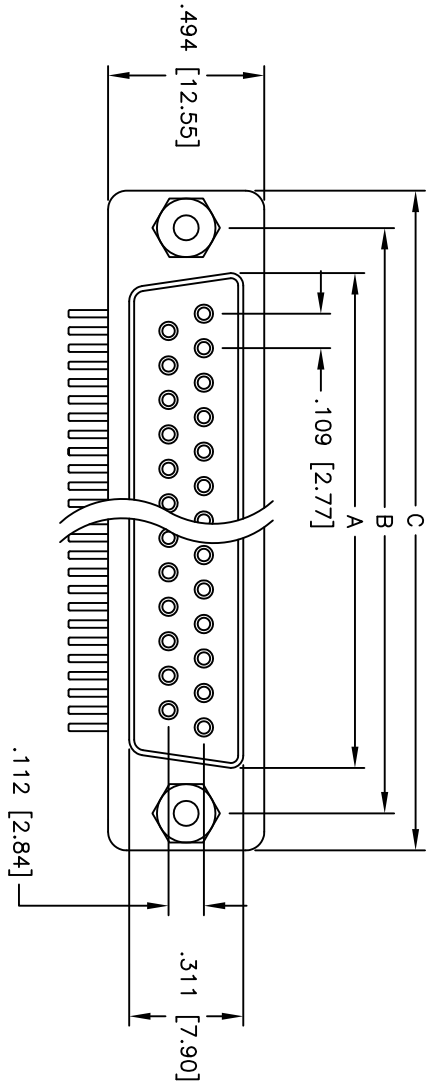


Rev	AWO #	Description	Date	Appr
-		RELEASED	4/19/05	

APPROVED: \_\_\_\_\_  
 DATE: \_\_\_\_\_ TITLE: \_\_\_\_\_



DXXX	NO. OF CONTACTS	DIMENSIONS		
		A	B	C
DE09	9	.643 [16.33]	.984 [24.99]	1.213 [30.81]
DA15	15	.971 [24.66]	1.312 [33.32]	1.541 [39.14]
DB25	25	1.511 [38.38]	1.852 [47.04]	2.088 [53.04]
DC37	37	2.159 [54.84]	2.500 [63.50]	2.729 [69.32]

PCB LAYOUT

**SPECIFICATIONS:**

Material: Insulator: PBT, glass reinforced, rated UL 94V-0  
 Insulator color: Black  
 Contacts: Phosphor Bronze  
 Shell: Steel, Tin plated  
 Hardware: Brass, Nickel plated  
 Plating: Gold flash over Nickel underplate overall  
 Electrical: Operating voltage: 250 VAC max  
 Current rating: 5 Amps max  
 Contact resistance: 20 mohms max  
 Insulation resistance: 5,000 Mohms min  
 Dielectric withstanding voltage: 1,000 VAC for 1 minute  
 Temperature Rating: Operating temperature: -65°C to +125°C  
 Environmental: Lead free, RoHS compliant  
 Recommended soldering temp: 230°C for 5 seconds



**ADAM TECH**

909 Rahway Avenue, Union, NJ 07083  
 Phone: 908-687-5000 Fax: 908-687-5710

TITLE: .318 [8.08] FOOTPRINT D-SUB SOCKET  
 TOPSIDE GROUNDSTRAPS, FIXED JACKSCREWS

UNLESS OTHERWISE SPECIFIED ALL DIMENSIONS ARE INCHES [MM] TOLERANCES: EXCEPT AS NOTED INCHES		DATE	
.X ±.10	ØXX ±.10	DATE	
.XX ±.020	ØXXX ±.015		
.XXX ±.015	ØXXXX ±.010		
APPROVALS			
DRAWN	SS	4/19/05	
CHECKED			
APPROVED			
SIZE	PART NO.	SCALE:	REV.
X	DXXX-SL-43	NTS	-
REF:		SHEET	1 OF 1