

Dialight

Tactical 45 Degree Marker Lights



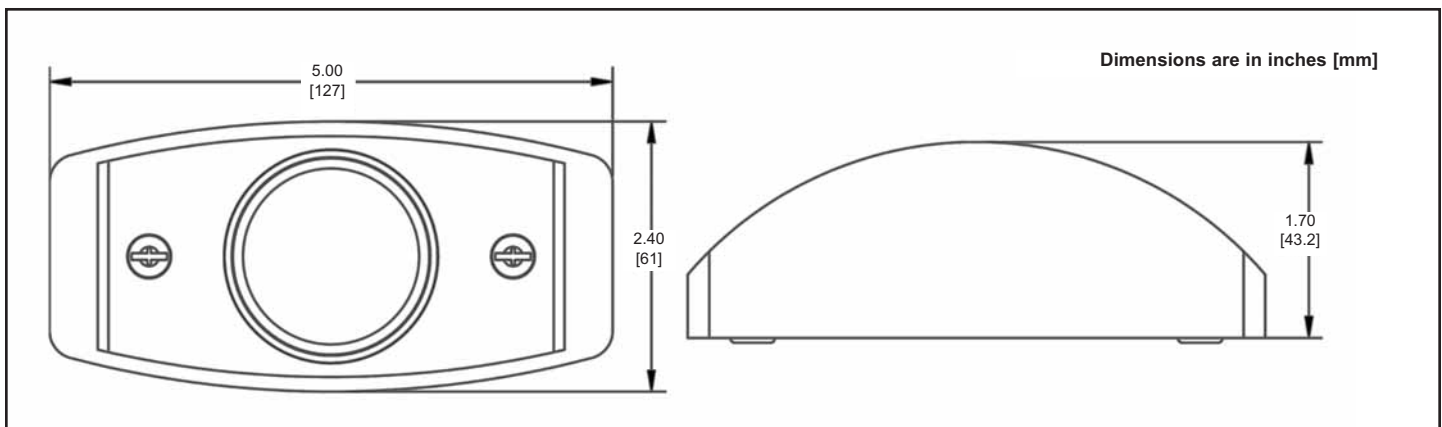
FEATURES / BENEFITS

- ▲ Specifically designed for military applications
- ▲ Voltage range 10-30 volts
- ▲ Designed to comply with FMVSS 108 and MIL-STD-1179 requirements
- ▲ Lamp housing comes in standard military olive drab
- ▲ LEDs provide safer instant on, faster illumination than incandescent
- ▲ Low power consumption
- ▲ High vibration resistance
- ▲ Robust design
- ▲ Easy retrofit of existing incandescent

APPLICATION

Dialight has developed Tactical 45 Degree Marker Lights as an easy incandescent retrofit upgrade for new and existing military vehicles. These lamps were designed to conform to all of the FMVSS 108 and military specifications for marker/clearance lights.

SPECIFICATIONS



Part Number	Description
TM4-RR-13T-13	Lamp with Bracket Red
TM4-AA-13T-13	Lamp with Bracket Amber

Dialight Corporation

1501 Route 34 South • Farmingdale, NJ 07727 USA

Tel: (1) 732-919-3119 • Fax: (1) 732-751-5778 • www.dialight.com



MDTBT45DLX001_B