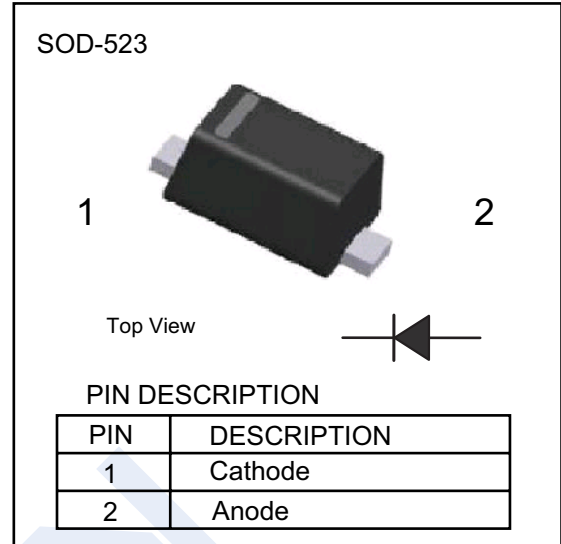


Schottky Barrier Diode

RB521S-30

■ Features

- Low Forward Voltage Drop
- Flat Lead SOD-523 Small Outline Plastic Package
- Extremely Small SOD-523 Package
- Surface Device Type Mounting
- RoHS Compliant
- Green EMC
- Matte Tin(Sn) Lead Finish



■ Absolute Maximum Ratings $T_a = 25^\circ\text{C}$

Parameter	Symbol	Rating	Unit
Peak Reverse Voltage	V_{RM}	30	V
Average Rectified Output Current	$I_{F(AV)}$	200	mA
Power Dissipation	P_D	200	mW
Junction Temperature	T_J	125	°C
Storage Temperature Range	T_{stg}	-55 to +125	

■ Electrical Characteristics $T_a = 25^\circ\text{C}$

Parameter	Symbol	Test Conditions	Min	Typ	Max	Unit
Reverse breakdown voltage	B_V	$I_R = 500\mu\text{A}$	30			V
Forward voltage	V_F	$I_F = 200\text{mA}$			0.5	
Reverse voltage leakage current	I_R	$V_R = 10\text{V}$			30	μA

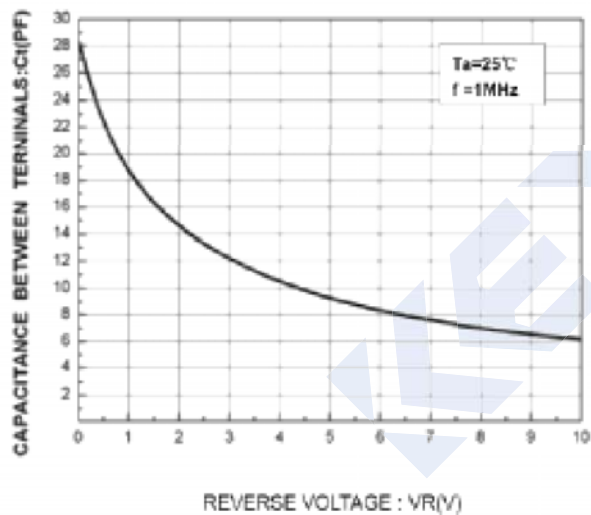
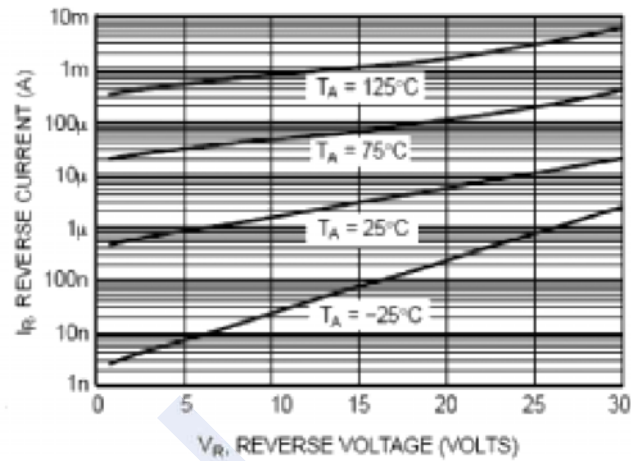
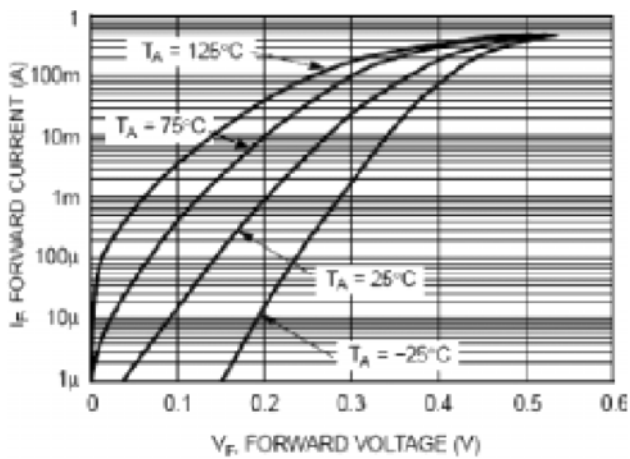
■ Marking

Marking	C
---------	---

Schottky Barrier Diode

RB521S-30

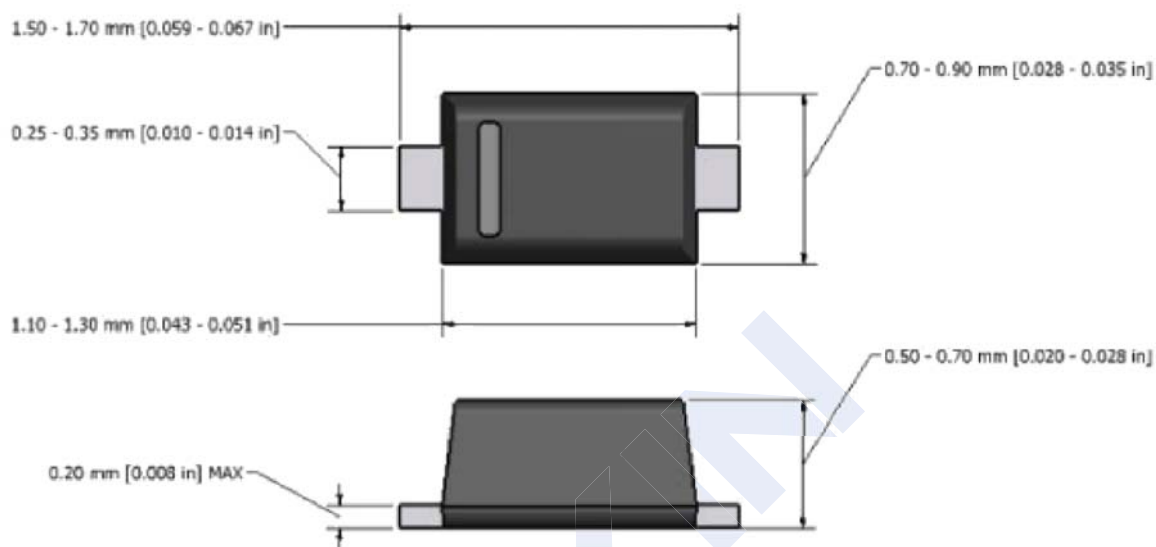
■ Typical Characteristics



Schottky Barrier Diode

RB521S-30

■ Package Outline Dimensions (SOD-523)



Note: Dimensions are exclusive of Burrs, Mold Flash & Tie Bar extrusions.

■ The Recommended Mounting Pad Size

