



RL-2270

TWO IN ONE™ POWER TRANSFORMERS • CHASSIS MOUNT

DESCRIPTION

- Chassis Mount Linear Transformers

ENVIRONMENTAL DATA

- Storage temperature range: -55°C to +130°C
- Operating temperature range: -40°C to +130°C

PACKAGING INFORMATION

- Packaging information: pg. 494

FEATURES & APPLICATIONS

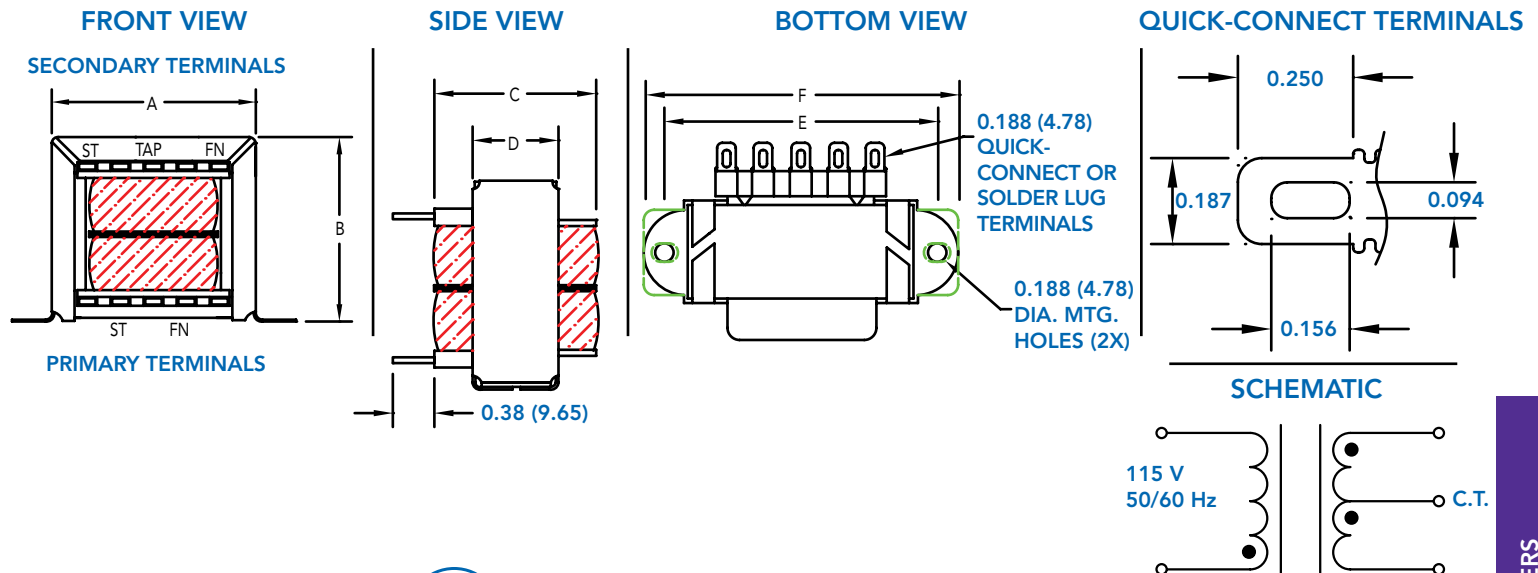
- Provide superior isolation and low capacitive coupling
- Available in ratings of 2.4 VA to 100 VA
- Available with single primary 115 V 50/60 Hz
- Split bobbin construction eliminates the need for electrostatic shielding
- Designed with solder lug/quick connect type terminals
- Hipot tested at 2500 VRMS
- Manufactured to class B (130°C) insulation

Verify operation with sample in actual circuit. Order samples at www.rencousa.com.

MECHANICAL DIMENSIONS

U.S. Standard (mm)

PART NUMBER	SIZE	VA	A (MAX.)	B (MAX.)	C (MAX.)	D (MAX.)	E (MAX.)	F (MAX.)
RL-2270	3	2.4	1.62 (41.14)	1.18 (29.97)	1.06 (26.92)	0.56 (14.22)	1.75 (44.44)	2.06 (52.32)
RL-2270	4	6	1.68 (42.67)	1.37 (34.79)	1.25 (31.75)	0.68 (17.27)	2.00 (50.80)	2.37 (60.19)
RL-2270	5	12	1.93 (49.02)	1.62 (41.14)	1.37 (34.79)	0.81 (20.57)	2.37 (60.19)	2.81 (71.37)
RL-2270	6	30	2.31 (58.67)	1.93 (49.02)	1.68 (42.67)	1.06 (26.92)	2.81 (71.37)	3.25 (82.55)
RL-2270	7	56	2.68 (68.07)	2.25 (57.15)	1.81 (45.97)	1.06 (26.92)	3.12 (79.34)	3.68 (93.47)
RL-2270	8	100	3.06 (77.72)	2.56 (65.02)	2.25 (57.15)	1.31 (33.27)	3.50 (88.89)	4.03 (102.36)



RENCO ELECTRONICS INC.



595 International Place, Rockledge, FL 32955-4200 USA • www.rencousa.com • ISO 9001 Certified
Toll Free Engineering Hot Line: 800.645.5828 • P: 321.637.1000 • F: 321.637.1600

RL-2270

PART NUMBER		PART NUMBER	
Single 115V	Secondary RMS Rating	Single 115V	Secondary RMS Rating
RL-2270-3-10	10VCT @ 0.25 A	RL-2270-3-28	28VCT @ 0.085 A
RL-2270-4-10	10VCT @ 0.60 A	RL-2270-4-28	28VCT @ 0.20 A
RL-2270-5-10	10VCT @ 1.20 A	RL-2270-5-28	28VCT @ 0.42 A
RL-2270-6-10	10VCT @ 3.00 A	RL-2270-6-28	28VCT @ 1.10 A
RL-2270-7-10	10VCT @ 5.00 A	RL-2270-7-28	28VCT @ 3.00 A
RL-2270-8-10	10VCT @ 10.00 A	RL-2270-8-28	28VCT @ 3.60 A
RL-2270-3-12	12.6VCT @ 0.20 A	RL-2270-3-36	36VCT @ 0.065 A
RL-2270-4-12	12.6VCT @ 0.50 A	RL-2270-4-36	36VCT @ 0.17 A
RL-2270-5-12	12.6VCT @ 1.00 A	RL-2270-5-36	36VCT @ 0.35 A
RL-2270-6-12	12.6VCT @ 2.50 A	RL-2270-6-36	36VCT @ 0.85 A
RL-2270-7-12	12.6VCT @ 4.00 A	RL-2270-7-36	36VCT @ 1.50 A
RL-2270-8-12	12.6VCT @ 8.00 A	RL-2270-8-36	36VCT @ 2.80 A
RL-2270-3-16	16VCT @ 0.15 A	RL-2270-3-48	48VCT @ 0.05 A
RL-2270-4-16	16VCT @ 0.40 A	RL-2270-4-48	48VCT @ 0.125 A
RL-2270-5-16	16VCT @ 0.80 A	RL-2270-5-48	48VCT @ 0.25 A
RL-2270-6-16	16VCT @ 2.00 A	RL-2270-6-48	48VCT @ 0.63 A
RL-2270-7-16	16VCT @ 3.50 A	RL-2270-7-48	48VCT @ 1.20 A
RL-2270-8-16	16VCT @ 6.25 A	RL-2270-8-48	48VCT @ 2.00 A
RL-2270-3-20	20VCT @ 0.12 A	RL-2270-3-56	56VCT @ 0.045 A
RL-2270-4-20	20VCT @ 0.30 A	RL-2270-4-56	56VCT @ 0.11 A
RL-2270-5-20	20VCT @ 0.60 A	RL-2270-5-56	56VCT @ 0.22 A
RL-2270-6-20	20VCT @ 1.50 A	RL-2270-6-56	56VCT @ 0.54 A
RL-2270-7-20	20VCT @ 2.80 A	RL-2270-7-56	56VCT @ 1.00 A
RL-2270-8-20	20VCT @ 5.00 A	RL-2270-8-56	56VCT @ 1.80 A
RL-2270-3-24	24VCT @ 0.10 A	RL-2270-3-120	120VCT @ 0.02 A
RL-2270-4-24	24VCT @ 0.25 A	RL-2270-4-120	120VCT @ 0.05 A
RL-2270-5-24	24VCT @ 0.50 A	RL-2270-5-120	120VCT @ 0.10 A
RL-2270-6-24	24VCT @ 1.25 A	RL-2270-6-120	120VCT @ 0.25 A
RL-2270-7-24	24VCT @ 2.40 A	RL-2270-7-120	120VCT @ 0.50 A
RL-2270-8-24	24VCT @ 4.00 A	RL-2270-8-120	120VCT @ 0.85 A

NOTES:

1. ELECTRICAL SPECIFICATIONS MEASURED AT 25°C

PART NUMBER	PART WEIGHT
RL-2270-3	116.0g (4.09oz)
RL-2270-4	188.0g (6.63oz)
RL-2270-5	316.0g (11.15oz)
RL-2270-6	552.0g (19.47oz)
RL-2270-7	784.0g (27.65oz)
RL-2270-8	1,294.0g (45.64oz)



RENCO ELECTRONICS INC.

595 International Place, Rockledge, FL 32955-4200 USA • www.rencousa.com • ISO 9001 Certified
Toll Free Engineering Hot Line: 800.645.5828 • P: 321.637.1000 • F: 321.637.1600

