

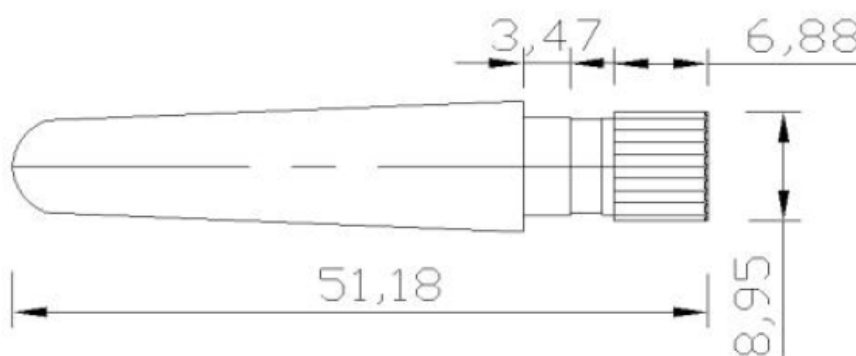
Electrical Specifications

Parameters	Specification	Unit
Frequency Range	890 ~ 960 1710 ~ 2170	MHz
VSWR	1.5	-
Impedance	50	Ω
Gain, max	2.5	dBi
Polarization	Vertical	-
Power	50	W

Mechanical Specifications

Parameters	Specification	Unit
RF Connector	SMA	-
Radome Color	Black	-

Dimensions



Dimensions in mm

May, 2016