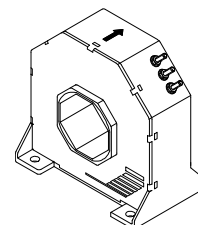


Current Transducer LT 2005-S

$I_{PN} = 2000 \text{ A}$

For the electronic measurement of currents : DC, AC, pulsed..., with a galvanic isolation between the primary circuit (high power) and the secondary circuit (electronic circuit).



Electrical data

I_{PN}	Primary nominal r.m.s. current	2000	A			
I_P	Primary current, measuring range @ $\pm 24 \text{ V}$	0 .. ± 3000	A			
R_M	Measuring resistance	$R_{M \min}$	$R_{M \max}$			
				with $\pm 15 \text{ V}$	@ $\pm 2000 \text{ A}_{\max}$	0
			@ $\pm 2200 \text{ A}_{\max}$	0	4	Ω
		with $\pm 24 \text{ V}$	@ $\pm 2000 \text{ A}_{\max}$	5	27.5	Ω
	@ $\pm 3000 \text{ A}_{\max}$	5	10	Ω		
I_{SN}	Secondary nominal r.m.s. current	400	mA			
K_N	Conversion ratio	1 : 5000				
V_C	Supply voltage ($\pm 5 \%$)	$\pm 15 \dots 24$	V			
I_C	Current consumption	20 (@ $\pm 24 \text{ V}$) + I_S	mA			
V_d	R.m.s. voltage for AC isolation test, 50 Hz, 1 mn	6	kV			

Features

- Closed loop (compensated) current transducer using the Hall effect
- Insulated plastic case recognized according to UL 94-V0.

Advantages

- Excellent accuracy
- Very good linearity
- Low temperature drift
- Optimized response time
- Wide frequency bandwidth
- No insertion losses
- High immunity to external interference
- Current overload capability.

Accuracy - Dynamic performance data

X_G	Overall accuracy @ $I_{PN}, T_A = 25^\circ\text{C}$	± 0.3	%
e_L	Linearity	< 0.1	%
I_O	Offset current @ $I_P = 0, T_A = 25^\circ\text{C}$	Typ	Max
I_{OT}	Thermal drift of I_O	± 0.2	± 0.3
t_r	Response time ¹⁾ @ 90 % of $I_{P \max}$	< 1	μs
di/dt	di/dt accurately followed	> 50	A/ μs
f	Frequency bandwidth (- 1 dB)	DC .. 100	kHz

Applications

- AC variable speed drives and servo motor drives
- Static converters for DC motor drives
- Battery supplied applications
- Uninterruptible Power Supplies (UPS)
- Switched Mode Power Supplies (SMPS)
- Power supplies for welding applications.

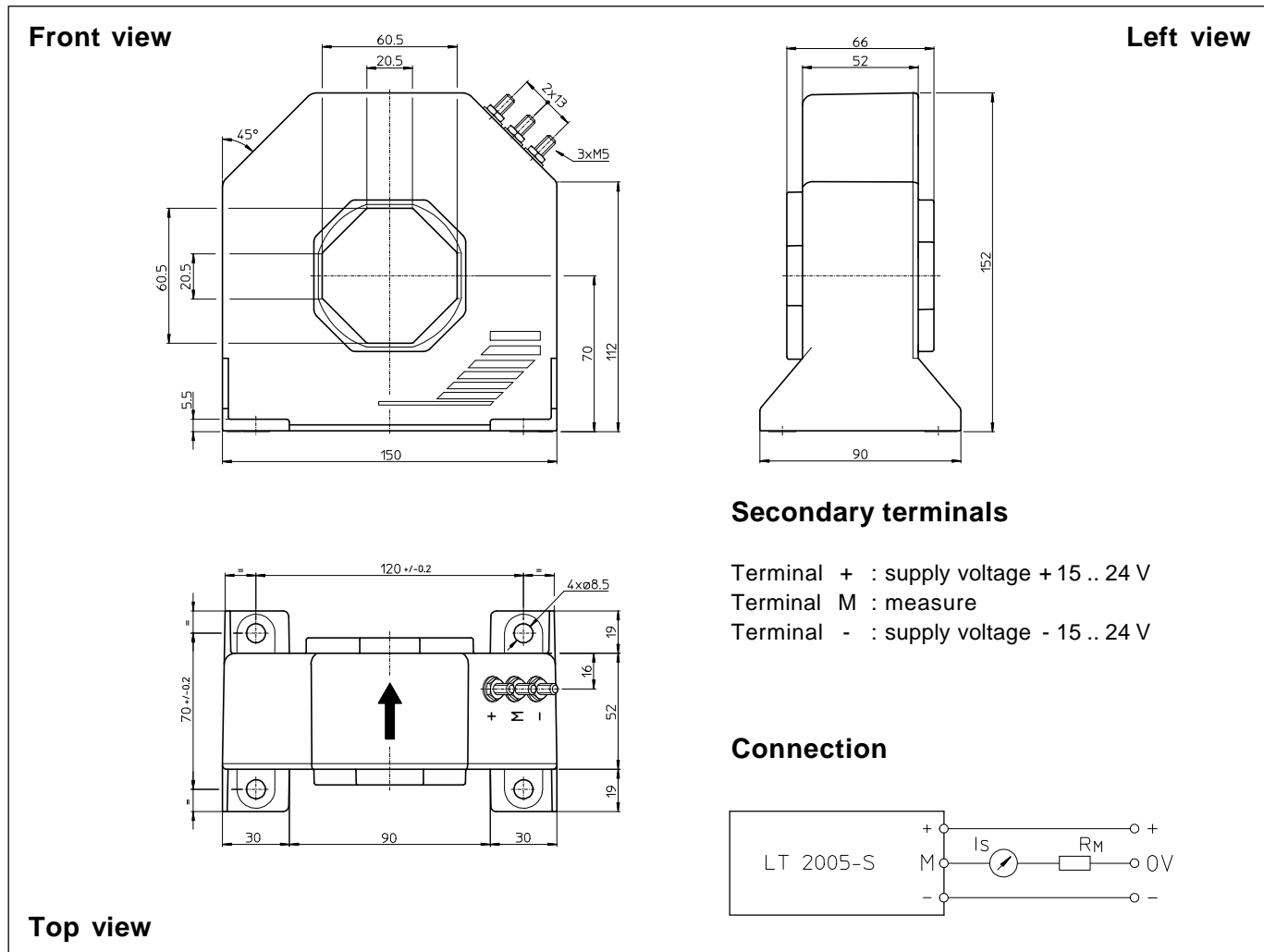
General data

T_A	Ambient operating temperature	0 .. +70	$^\circ\text{C}$
T_S	Ambient storage temperature	- 25 .. + 85	$^\circ\text{C}$
R_S	Secondary coil resistance @ $T_A = 70^\circ\text{C}$	25	Ω
m	Mass	1.5	kg
	Standards ²⁾	EN 50178	

Notes : ¹⁾ With a di/dt of 100 A/ μs

²⁾ A list of corresponding tests is available

Dimensions LT 2005-S (in mm. 1 mm = 0.0394 inch)



Mechanical characteristics

- | | |
|---------------------------|------------------------|
| • General tolerance | ± 0.5 mm |
| • Fastening | 4 holes Ø 8.5 mm |
| • Primary through-hole | 60.5 x 60.5 mm |
| • Connection of secondary | M5 threaded studs |
| Fastening torque | 2.2 Nm or 1.62 Lb - Ft |

Remarks

- I_s is positive when I_p flows in the direction of the arrow.
- Temperature of the primary conductor should not exceed 100°C.
- Dynamic performances (di/dt and response time) are best with a single bar completely filling the primary hole.
- This is a standard model. For different versions (supply voltages, turns ratios, unidirectional measurements...), please contact us.