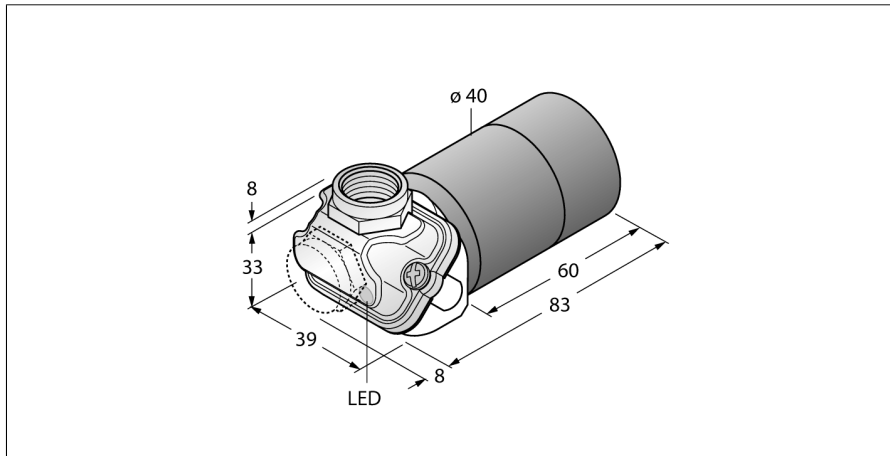


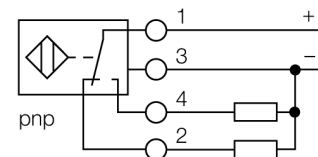
Capacitive sensor
For the food industry
BC20-K40WDTC-VP4X2/S930



- 2 cable entries (axial, radial)
- Plastic LV-30H FWA
- Smooth barrel, Ø 40 mm
- High protection class IP69K, for harsh environments
- Special double-lip seal
- Protection against all common acid and alkaline cleaning agents
- Laser engraved label, permanently legible
- For the food industry
- Fine adjustment via potentiometer
- DC 4-wire, 10...65 VDC
- Complementary contact, PNP output
- Terminal chamber

Type designation	BC20-K40WDTC-VP4X2/S930
Ident-No.	2510105
Ident-No (TUSA)	M2510105
Special version	S930 = Except for transparent housing parts, all other plastic parts are black
Rated switching distance (flush)	20 mm
Rated switching distance (non-flush)	30 mm
Secured operating distance	≤ (0.72 x Sn) mm
Hysteresis	2...20 %
Temperature drift	type 20 %
Repeat accuracy	≤ 2 % of full scale
Ambient temperature	-25...+70 °C
Operating voltage	10...65 VDC
Residual ripple	≤ 10 % U _s
DC rated operational current	≤ 200 mA
No-load current I ₀	≤ 15 mA
Residual current	≤ 0.1 mA
Switching frequency	0.1 kHz
Isolation test voltage	≤ 0.5 kV
Output function	4-wire, Complementary contact, PNP
Short-circuit protection	yes/ Cyclic
Voltage drop at I ₀	≤ 1.8 V
Wire breakage/Reverse polarity protection	yes/ Complete
Design	Smooth barrel, 40 mm
Dimensions	91 mm
Housing material	Plastic, Grilamid LV-30H FWA
Active area material	Plastic
Electrical connection	Terminal chamber, Removable cage clamp terminals
Coverage of terminal chamber	Ultem
Clamping ability	≤ 1.5 mm ²
Vibration resistance	55 Hz (1 mm)
Shock resistance	30 g (11 ms)
Protection class	IP69K
MTTF	1080 years acc. to SN 29500 (Ed. 99) 40 °C
Packaging unit	1
Power-on indication	LED, Green
Switching state	LED, Yellow

Wiring Diagram



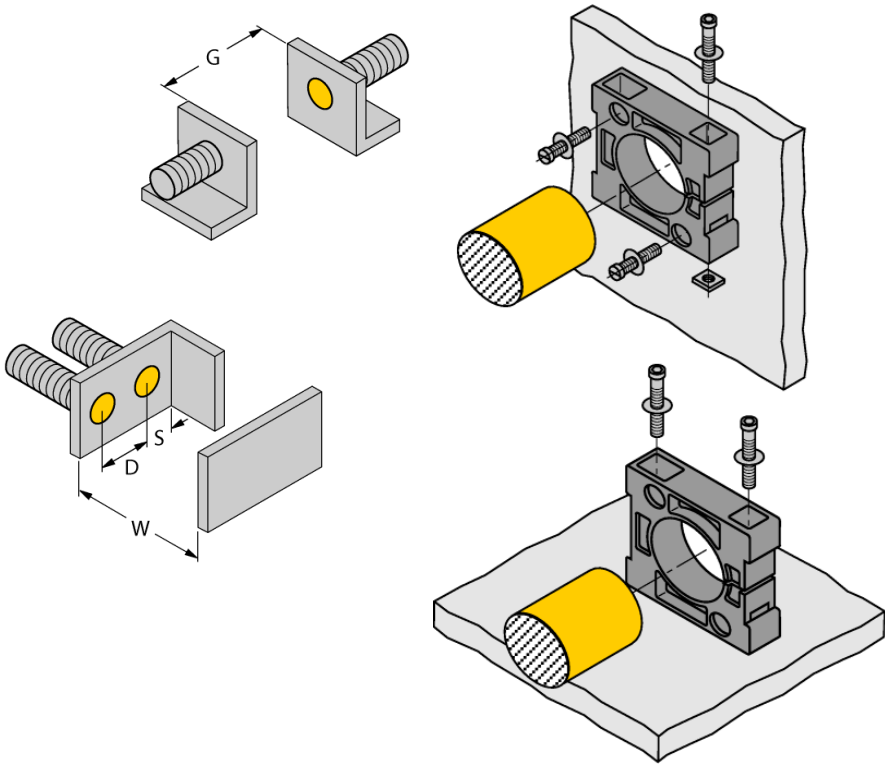
Functional principle

Capacitive proximity switches are designed for non-contact and wear-free detection of electrically conductive as well as non-conductive metal objects.

**Capacitive sensor
For the food industry
BC20-K40WDTC-VP4X2/S930**

Mounting instructions/Description	minimum distances
Distance D	40 mm
Distance W	60 mm
Distance S	60 mm
Distance G	120 mm

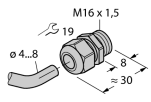
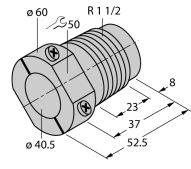
Diameter active area B	Ø 40 mm
-------------------------------	---------



The given minimum distances have been checked in compliance with the standard switching distance. Should the sensitivity of the sensors be changed via potentiometer, the data sheet specifications no longer apply.

Capacitive sensor
For the food industry
BC20-K40WDTC-VP4X2/S930

Accessories

Type code	Ident-No.	Description	
M16X1.5 PVDF CABLE GLAND	1634759	Cable glands M16 x 1.5, material PVDF	
MAP-K40	6950014	Mounting adapter; material: Polypropylene; sensor replacement with filled container possible (adapter remains in container during sensor replacement)	
BS-40	69466	Fixing clamp; material mounting block: PBT	