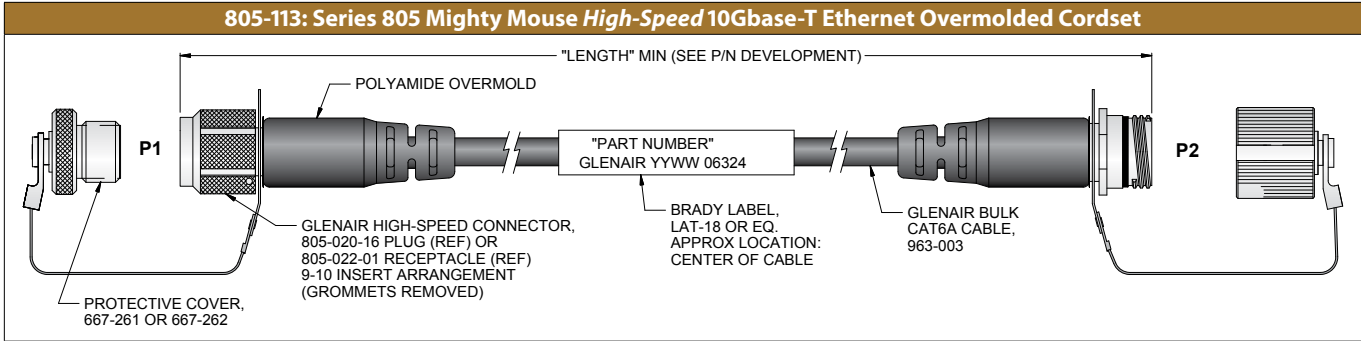




Series 805 10Gbase-T Ethernet Cordsets

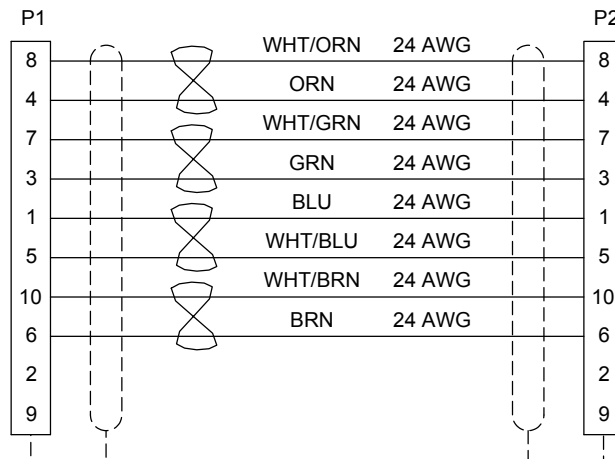
Mighty Mouse *High-Speed* Back-to-Back 10Gbase-T Cordset with Triple-Start ACME Threads

805-113 Ordering Information



How To Order		805-113	-A	D	NF	N	A	-48
Sample Part Number								
Series	805-113 = Back-to-Back 10Gbase-T Ethernet Overmolded cordset							
P1 Connector	-A = Plug, Contacts -B = Plug, Socket Contacts -C = Receptacle Pin Contacts -D = Receptacle, Socket Contacts							
P2 Connector	A = Plug, Pin Contacts B = Plug, Socket Contacts C = Receptacle, Pin Contacts D = Receptacle, Socket Contacts N = No Connector (Single-Ended)							
Shell Material / Finish	M = Aluminum / Electroless Nickel RoHS Compliant NF = Aluminum / Cadmium with Olive Drab Chromate ZNU = Aluminum / Zinc-Nickel with Black Chromate MT = Aluminum / Nickel-PTFE, RoHS Compliant Z1 = Stainless Steel / Passivated RoHS Compliant							
Protective Cover	P = Metal Protective Covers Included N = No Covers Supplied							
Shell Key Pos. (See Page N3)	A (Normal), B, C, D							
Length	Overall Length In Inches 78" Max							

WIRING DIAGRAM



Dimensions in Inches (millimeters) are subject to change without notice.