

PLEASE CHECK WWW.MOLEX.COM FOR LATEST PART INFORMATION

Part Number: [0472720021](#)
Status: **Active**
Overview: [displayport](#)
Description: 0.50mm (.020") Pitch DisplayPort* Male Receptacle, Right Angle, SMT, Gold (Au) Flash Plating, 20 Circuits, without Cover, Flange, or Mylar; with Latch Holes, Peg and Solder Tab of Shell, Leadfree

Documents:

[3D Model](#) [RoHS Certificate of Compliance \(PDF\)](#)
[Drawing \(PDF\)](#)

Agency Certification

UL E29179

General

Product Family	I/O Connectors
Series	47272
Application	Wire-to-Board
Comments	With EMI Shield
Component Type	Receptacle
Overview	displayport
Product Name	DisplayPort*
Type	N/A

Physical

Boot Color	N/A
Circuits (Loaded)	20
Circuits (maximum)	20
Color - Resin	Black
Flammability	94V-0
Gender	Male
Keying to Mating Part	Yes
Lock to Mating Part	Yes
Material - Metal	Copper Alloy
Material - Plating Mating	Gold
Material - Plating Termination	Tin-Bismuth
Material - Resin	High Temperature Thermoplastic
Number of Rows	2
Orientation	Right Angle
PCB Locator	Yes
PCB Retention	Yes
Packaging Type	Embossed Tape on Reel
Panel Mount	Without Flange
Pitch - Mating Interface (in)	0.039 In
Pitch - Mating Interface (mm)	0.50 mm
Pitch - Term. Interface (in)	0.039 In
Pitch - Term. Interface (mm)	0.50 mm
Plating min: Mating (µin)	2
Plating min: Mating (µm)	0.05
Plating min: Termination (µin)	40
Plating min: Termination (µm)	1
Polarized to Mating Part	Yes
Polarized to PCB	Yes
Ports	1
Temperature Range - Operating	-20°C to +85°C
Termination Interface: Style	Surface Mount



image - Reference only

Series

EU RoHS

**ELV and RoHS
Compliant**
**REACH SVHC
Not Reviewed**
**Halogen-Free
Status**

China RoHS



**Need more information on product
environmental compliance?**

Email productcompliance@molex.com
For a multiple part number RoHS Certificate of Compliance, [click here](#)

Please visit the [Contact Us](#) section for any non-product compliance questions.

Search Parts in this Series

[47272Series](#)

Mates With

[47271](#) Plug Sub-Assemblies, [68783](#) Cable Series

Waterproof / Dustproof No

Electrical

Current - Maximum per Contact 0.5A
Grounding to Panel Yes
Shielded Yes
Voltage - Maximum 40V AC

Material Info

Reference - Drawing Numbers

Packaging Specification PK-47272-001
Sales Drawing SD-47272-001

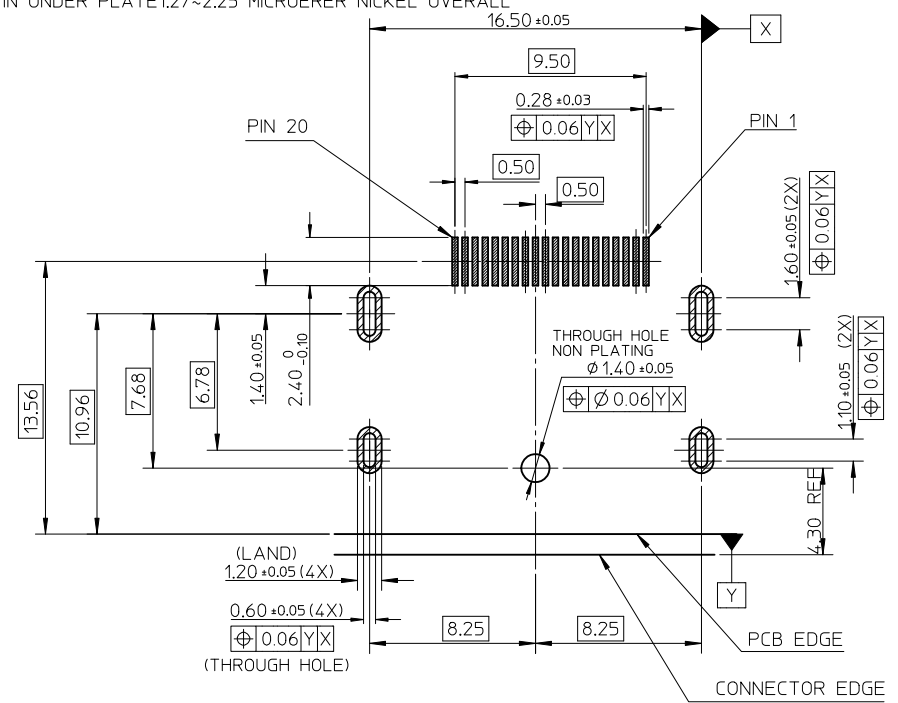
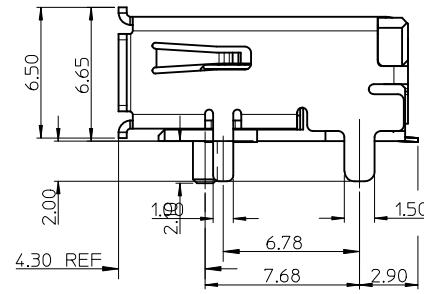
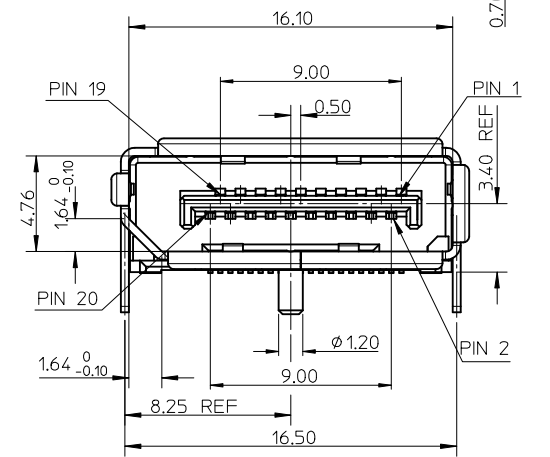
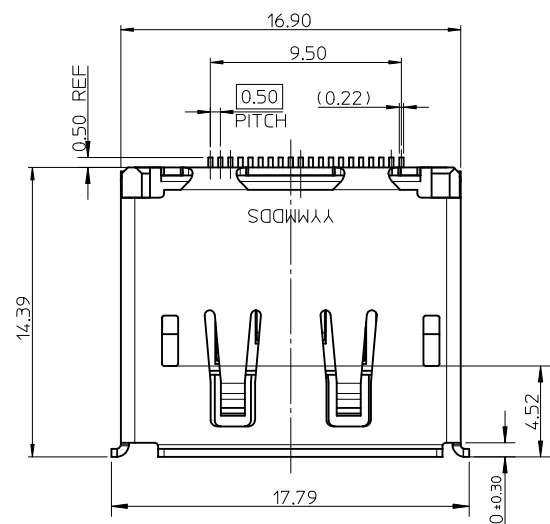
* DisplayPort is a Trademark of VESA

This document was generated on 05/19/2010

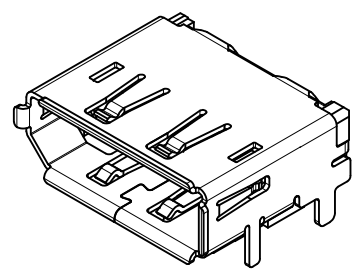
PLEASE CHECK WWW.MOLEX.COM FOR LATEST PART INFORMATION

NOTES:

- MATERIAL:
 - HOUSING: HIGH TEMPERATURE THERMAL PLASTIC, BLACK, 30% GLASS FILLED, UL94V-0.
 - TERMINAL: COPPER ALLOY.
 - SHELL: COPPER ALLOY.
- PLATING:
 - TERMINAL: CONTACT AREA(1)0.76 MICROMETER GOLD PLATING
 - (2)0.38 MICROMETER GOLD PLATING
 - (3)GOLD FLASH PLATING
 - (4)0.64MIN. MICROMETER PALLADIUM/NICKEL AND GOLD FLASH PLATING
 - AND SOLDER TAIL 1-3 MICROMETER TIN BISMUTH UNDER PLATE1-3 MICROMETER NICKEL PLATING OVERALL.
 - SHELL:(a)1.27-2.54 MICROETER SOLDERABLE NICKEL PLATING OVERALL.
 - (b)SHELL PEG SOLDERING SURFACE PLATE GOLD FLASH UNDER PLATE1-3 MICROMETER NICKEL PLATING OVERALL.
 - (c) SHELL PLATE 2.1~3.0 MICROMETER TIN UNDER PLATE1.27~2.25 MICROERER NICKEL OVERALL
- SOLDERTAIL COPLANARITY 0.10 MAX.
- PS REFER TO PS-47272-001



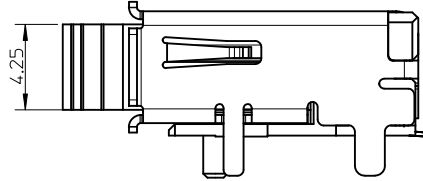
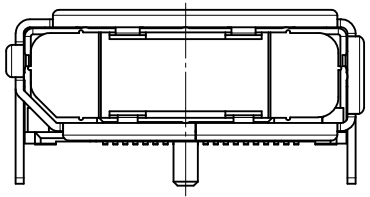
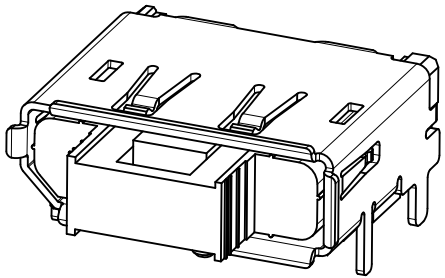
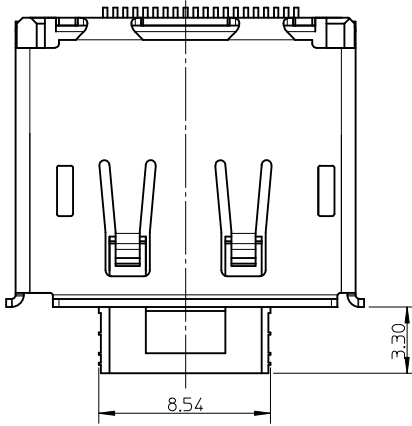
RECOMMENDED PCB LAYOUT (THICKNESS=1.6±0.15)



REVISED EC NO: SH2010-0353 DRWN:HHE CHKD:FYANG05 APPR:RZHANG 2010/03/08 2010/03/24 2010/03/29	DESCRIPTION REV	QUALITY SYMBOLS	GENERAL TOLERANCES (UNLESS SPECIFIED)		DIMENSION STYLE		SCALE	DESIGN UNITS	THIRD ANGLE PROJECTION		
		$\nabla \pm 0$ $\nabla \pm 0$ $\nabla \pm 0$	mm	INCH	MM ONLY		1:1	METRIC			
			4 PLACES	± ---	± ---	DRAWN BY	DATE	TITLE			
			3 PLACES	± ---	± ---	RZHANG	2005/07/01	1.0MM PITCH DISPLAY PORT RECEPTACLE ASSEMBLY			
		2 PLACES	± 0.25	± ---	CHECKED BY	DATE					
		1 PLACE	± 0.25	± ---	IWANG	2005/07/01					
		ANGULAR ± 3 °		APPROVED BY	DATE						
				RZHANG	2010/03/26						
		DRAFT WHERE APPLICABLE MUST REMAIN WITHIN DIMENSIONS		MATERIAL NO.		DOCUMENT NO.		SHEET NO.			
				SEE SHEETS 5		SD-47272-001		1 OF 8			
				THIS DRAWING CONTAINS INFORMATION THAT IS PROPRIETARY TO MOLEX INCORPORATED AND SHOULD NOT BE USED WITHOUT WRITTEN PERMISSION							

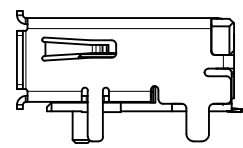
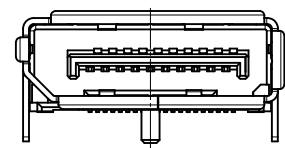
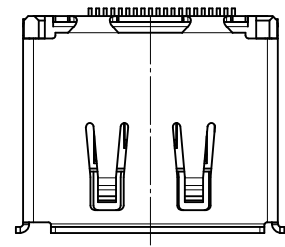
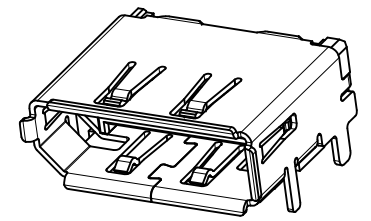
10 9 8 7 6 5 4 3 2 1

WITH COVER



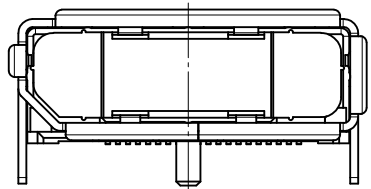
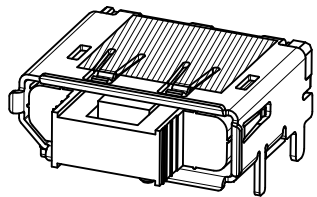
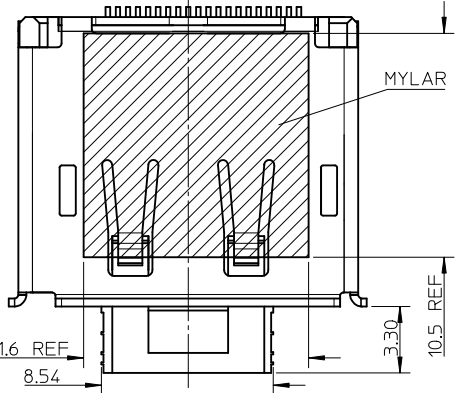
- NOTES:
 1.UNSPECIFIED DIMENSION ARE SAME AS SHEET1
 2.CONNECTOR WITH COVER IS USED FOR WARE SOLDERING PEG

WITHOUT LATCH HOLE



- NOTES:
 1.UNSPECIFIED DIMENSION ARE SAME AS SHEET1

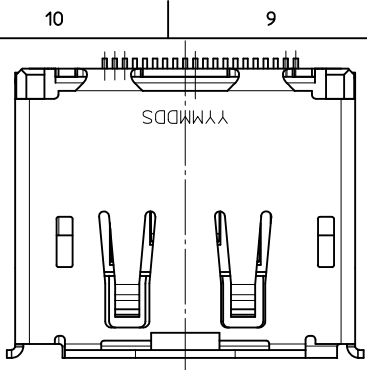
WITH COVER AND MYLAR



- NOTES:
 1.UNSPECIFIED DIMENSION ARE SAME AS SHEET1
 2.CONNECTOR WITH COVER IS USED FOR WARE SOLDERING PEG

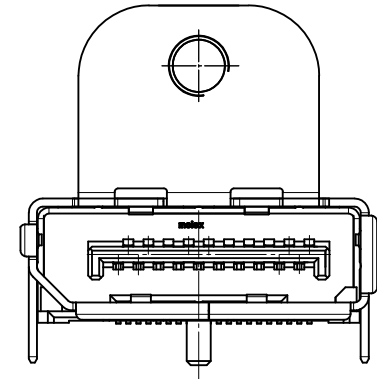
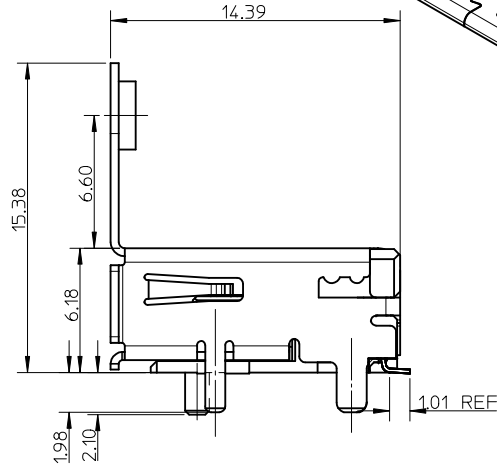
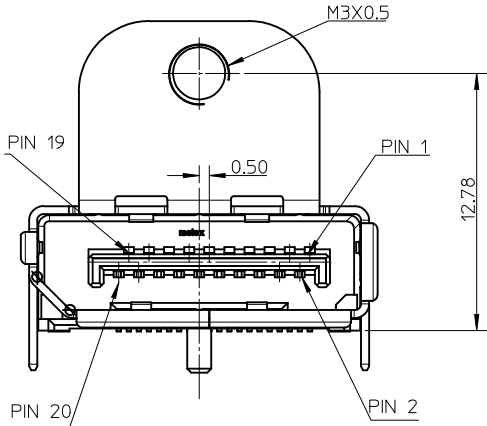
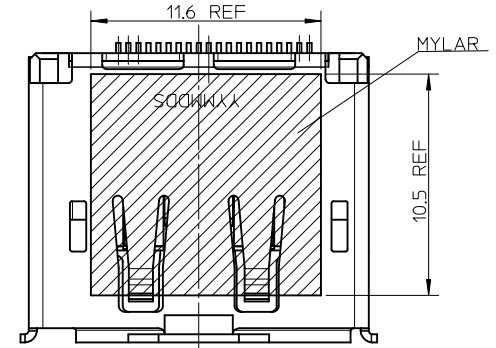
REVISED EC NO: SH2010-0353 DRW:HHH 2010/03/08 CHK:D:YANG05 2010/03/24 APPR:RZHANG 2010/03/29 B	DESCRIPTION REV	QUALITY SYMBOLS	GENERAL TOLERANCES (UNLESS SPECIFIED)		DIMENSION STYLE	SCALE	DESIGN UNITS	THIRD ANGLE PROJECTION
		$\nabla_F = 0$ $\nabla_F = 0$ $\nabla_F = 0$	mm INCH	MM ONLY	1:1	METRIC		
		4 PLACES ± --- ± --- 3 PLACES ± --- ± --- 2 PLACES ± 0.25 ± --- 1 PLACE ± 0.25 ± ---	DRAWN BY: RZHANG CHECKED BY: IWANG APPROVED BY: RZHANG	DATE: 2005/07/01 DATE: 2005/07/01 DATE: 2010/03/26	TITLE: 1.0MM PITCH DISPLAY PORT RECEPTACLE ASSEMBLY			
		ANGULAR ± 3 °	MATERIAL NO. SEE SHEETS 5	DOCUMENT NO. SD-47272-001	SHEET NO. 2 OF 8			
DRAFT WHERE APPLICABLE MUST REMAIN WITHIN DIMENSIONS					THIS DRAWING CONTAINS INFORMATION THAT IS PROPRIETARY TO MOLEX INCORPORATED AND SHOULD NOT BE USED WITHOUT WRITTEN PERMISSION			

9 8 7 6 5 4 3 2 1



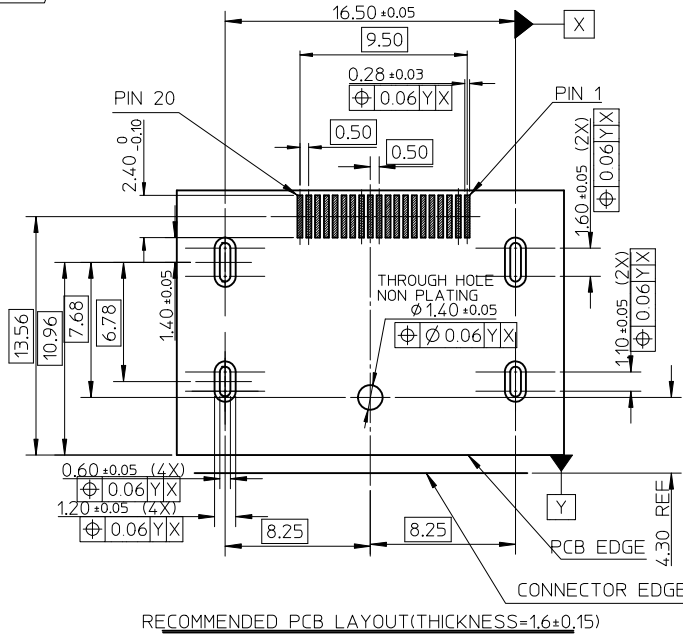
WITH FLANGE AND THROUGH HOLE PEG

WITH MYLAR



NOTES:
UNSPECIFIED DIMENSION ARE SAME AS SHEET1

NOTES:
UNSPECIFIED DIMENSION ARE SAME AS SHEET1

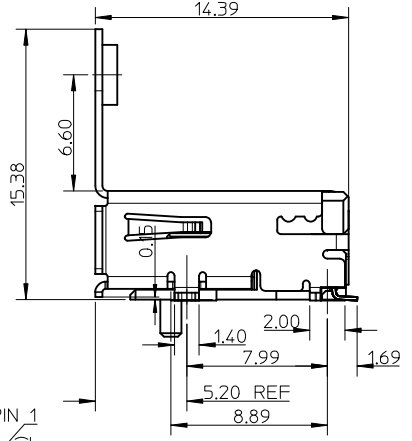
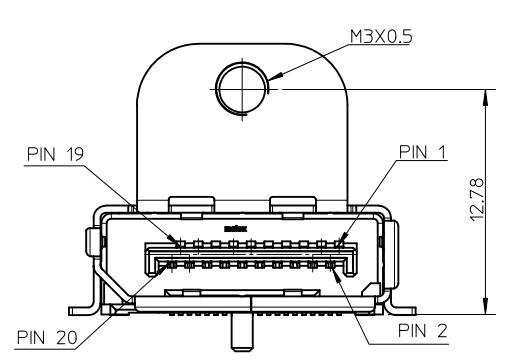
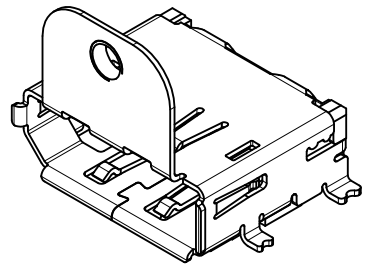
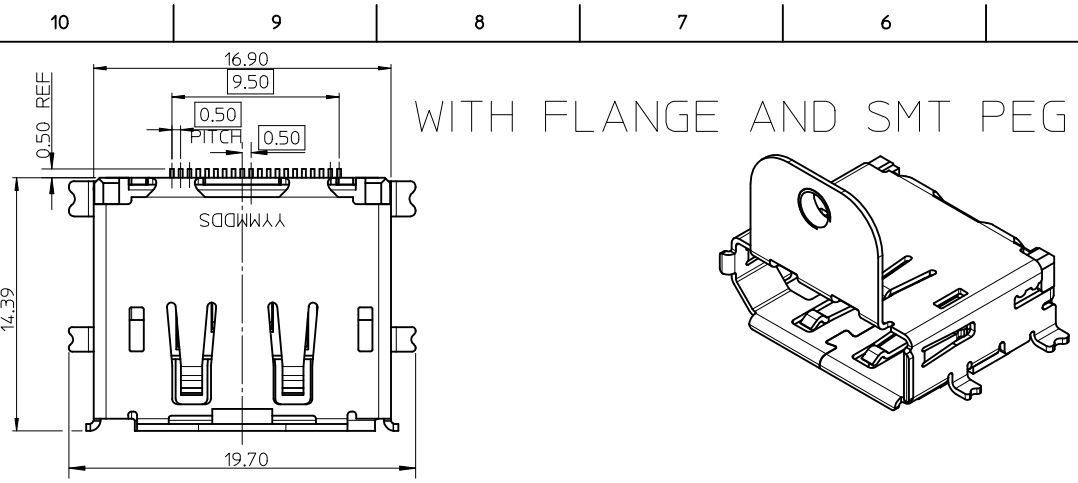


REVISED	EC NO: SH2010-0353	2010/03/08	2010/03/24	2010/03/29
B	DRW:NHHE	CHK:DFYANG05	APPR:RZHANG	
REV	DESCRIPTION	QUALITY SYMBOLS		
		▽E=0		
		▽E=0		
		▽E=0		

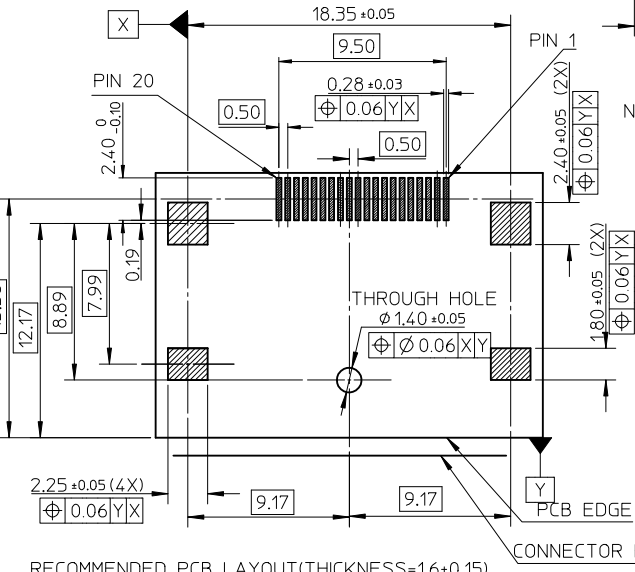
GENERAL TOLERANCES (UNLESS SPECIFIED)	
	mm INCH
4 PLACES	± --- ± ---
3 PLACES	± --- ± ---
2 PLACES	± 0.25 ± ---
1 PLACE	± 0.25 ± ---
ANGULAR ± 3 °	
DRAFT WHERE APPLICABLE MUST REMAIN WITHIN DIMENSIONS	

DIMENSION STYLE		SCALE	DESIGN UNITS	THIRD ANGLE PROJECTION
MM ONLY		1:1	METRIC	
DRAWN BY	DATE	TITLE		
RZHANG	2005/07/01	1.0MM PITCH DISPLAY PORT RECEPTACLE ASSEMBLY		
CHECKED BY	DATE			
IWANG	2005/07/01			
APPROVED BY	DATE			
RZHANG	2010/03/26			
MATERIAL NO.		DOCUMENT NO.		
SEE SHEETS 5		SD-47272-001		
SIZE	THIS DRAWING CONTAINS INFORMATION THAT IS PROPRIETARY TO MOLEX INCORPORATED AND SHOULD NOT BE USED WITHOUT WRITTEN PERMISSION			
A3				

MOLEX INCORPORATED		SHEET NO.	
		3 OF 8	

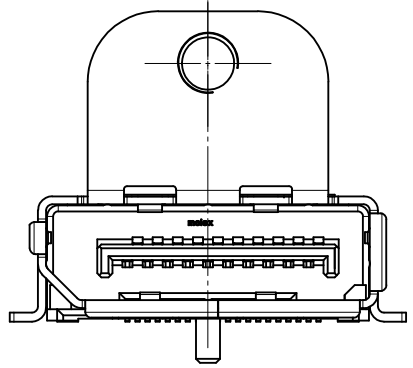
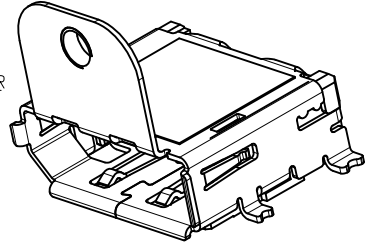
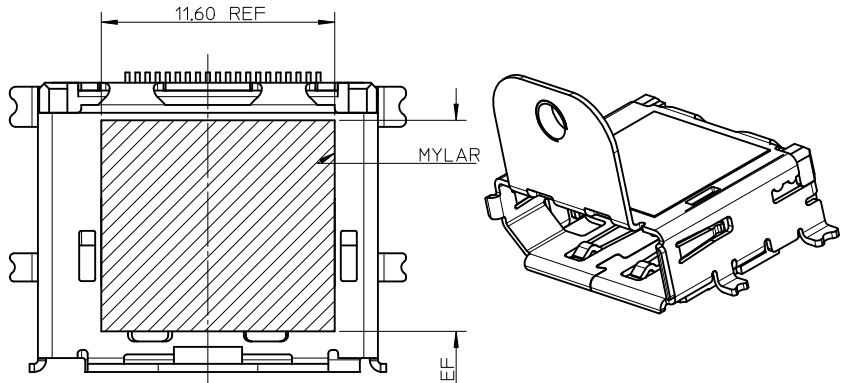


NOTES:
UNSPECIFIED DIMENSION ARE SAME AS SHEET1



RECOMMENDED PCB LAYOUT (THICKNESS=1.6±0.15)

WITH FLANGE AND MYLAR



NOTES:
1. UNSPECIFIED DIMENSION ARE SAME AS SHEET1
2. THE RECOMMENDER PCB ARE SAME AS LEFT RECOMMENDER PCB

REVISED EC NO: SH2010-0353 DRW: HHE CHK: FYANG05 APP: RZHANG	DESCRIPTION 2010/03/08 2010/03/24 2010/03/29	QUALITY SYMBOLS	GENERAL TOLERANCES (UNLESS SPECIFIED)		DIMENSION STYLE	SCALE	DESIGN UNITS	THIRD ANGLE PROJECTION	
		▽ _A =0 ▽ _B =0 ▽ _C =0	mm	INCH	MM ONLY	1:1	METRIC		
			4 PLACES ± --- ± ---	DRAWN BY	DATE	TITLE	1.0MM PITCH DISPLAY PORT RECEPTACLE ASSEMBLY		
			3 PLACES ± --- ± ---	RZHANG	2005/07/01				
	2 PLACES ± 0.25 ± ---	CHECKED BY	DATE	MOLEX INCORPORATED					
	1 PLACE ± 0.25 ± ---	IWANG	2005/07/01						
	ANGULAR ± 3 °	APPROVED BY	DATE	SD-47272-001					
		RZHANG	2010/03/26						
		MATERIAL NO.	DOCUMENT NO.	SEE SHEETS 5					
		DRAFT WHERE APPLICABLE MUST REMAIN WITHIN DIMENSIONS			THIS DRAWING CONTAINS INFORMATION THAT IS PROPRIETARY TO MOLEX INCORPORATED AND SHOULD NOT BE USED WITHOUT WRITTEN PERMISSION				
		SIZE	4 OF 8						
		A3	4 OF 8						

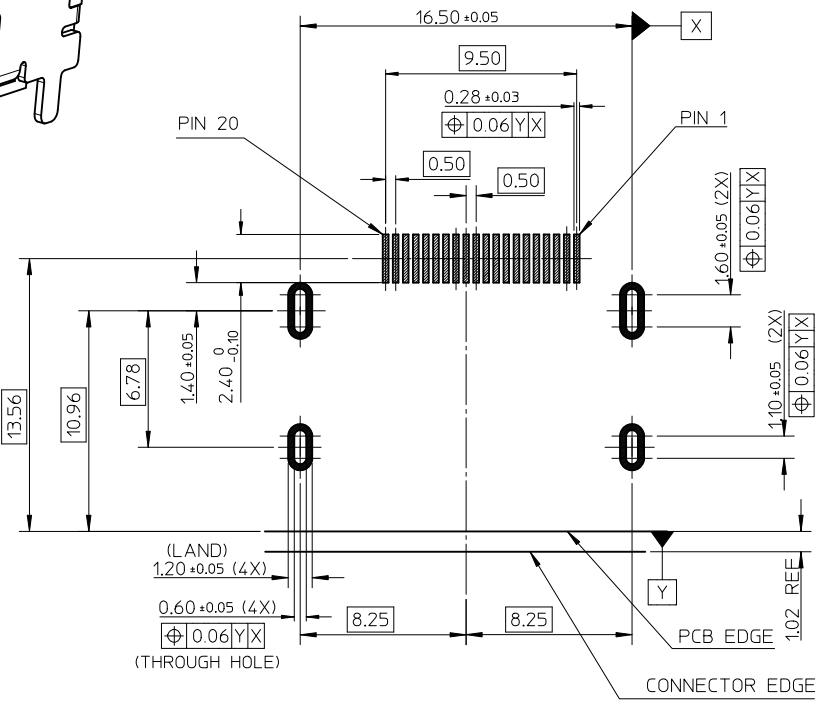
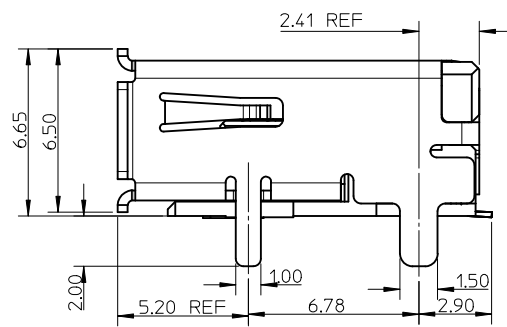
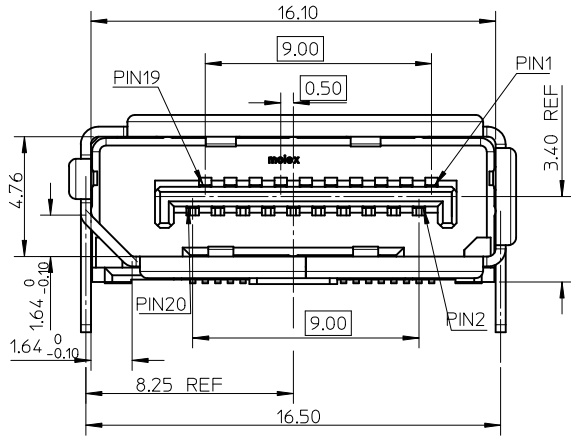
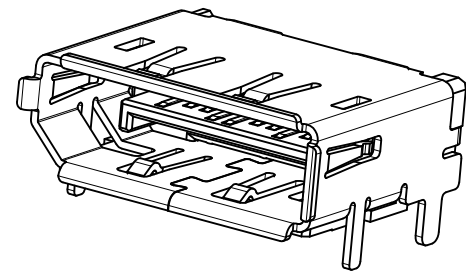
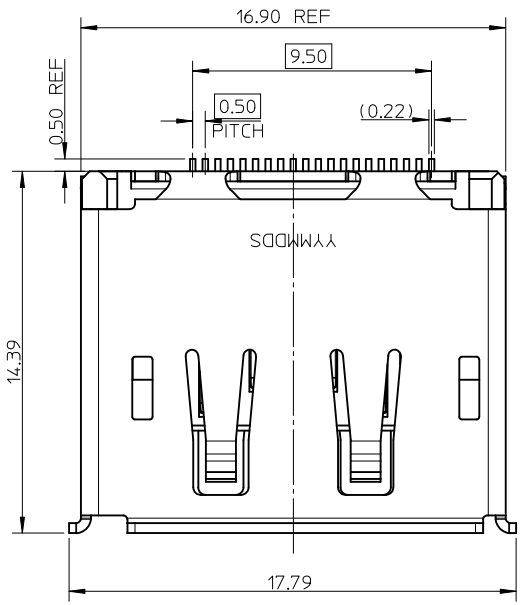
	10	9	8	7	6	5	4	3	2	1		
	ASSEMBLY NO.	WITH COVER	WITH FLANGE	SMT PEG OF SHELL	THROUGH HOLE PEG OF SHELL	PLATING IN CONTACT AREA	SHELL PLATING	WITH LATCH HOLE	MYLAR	POST	PACKAGE METHOD	REMARK
F	47272-0001	WITHOUT	WITHOUT	/	WITH	SEE NOTE2(1)	SEE NOTE2(a)	WITH	WITHOUT	WITH		WITH EMI SHELL FOR SHEET 1
	47272-0002	WITHOUT	WITHOUT	/	WITH	SEE NOTE2(1)	SEE NOTE2(a)	WITH	WITHOUT	WITH		
	47272-0011	WITHOUT	WITHOUT	/	WITH	SEE NOTE2(2)	SEE NOTE2(a)	WITH	WITHOUT	WITH		
	47272-0021	WITHOUT	WITHOUT	/	WITH	SEE NOTE2(3)	SEE NOTE2(a)	WITH	WITHOUT	WITH		
E	47272-0003	WITHOUT	WITHOUT	/	WITH	SEE NOTE2(1)	SEE NOTE2(a)	WITHOUT	WITHOUT	WITH		FOR SHEET 2
	47272-1002	WITH	WITHOUT	/	WITH	SEE NOTE2(1)	SEE NOTE2(a)	WITH	WITHOUT	WITH		
	47272-0012	WITH	WITHOUT	/	WITH	SEE NOTE2(2)	SEE NOTE2(a)	WITH	WITHOUT	WITH		
	47272-0022	WITH	WITHOUT	/	WITH	SEE NOTE2(3)	SEE NOTE2(a)	WITH	WITHOUT	WITH		
	47272-0024	WITH	WITHOUT	/	WITH	SEE NOTE2(1)	SEE NOTE2(a)	WITH	WITH	WITH		FOR SHEET 3
D	47272-0004	WITH	WITH	/	WITH	SEE NOTE2(1)	SEE NOTE2(c)	WITH	WITHOUT	WITH		
	47272-1004	WITHOUT	WITH	/	WITH	SEE NOTE2(1)	SEE NOTE2(c)	WITH	WITHOUT	WITH		
	47272-0025	WITHOUT	WITH	/	WITH	SEE NOTE2(1)	SEE NOTE2(c)	WITH	WITH	WITH		
	47272-0028	WITHOUT	WITH	/	WITH	SEE NOTE2(3)	SEE NOTE2(c)	WITH	WITH	WITH		FOR SHEET 4
C	47272-1005	WITHOUT	WITH	SMT PEG	/	SEE NOTE2(1)	SEE NOTE2(c)	WITH	WITHOUT	WITH		
	47272-0023	WITHOUT	WITH	SMT PEG	/	SEE NOTE2(1)	SEE NOTE2(c)	WITH	WITH	WITH		
	47272-0026	WITHOUT	WITHOUT	/	WITH	SEE NOTE2(1)	SEE NOTE2(a)	WITH	WITHOUT	WITHOUT		FOR SHEET 6
	47272-0027	WITH	WITH	/	WITH	SEE NOTE2(1)	SEE NOTE2(c)	WITH	WITH	WITH		FOR SHEET 7
	47272-0201	WITHOUT	WITHOUT	/	WITH	SEE NOTE2(4)	SEE NOTE2(a)	WITH	WITHOUT	WITH		FOR SHEET 1
	47272-0029	WITHOUT	WITHOUT	/	WITH	SEE NOTE2(1)	SEE NOTE2(a)	WITH	WITH	WITH		FOR SHEET 8

B

REVISED IEC NO: SH2010-0353 DRW:HHH 2010/03/08 CHKD:FYANG05 2010/03/24 APPR:RZHANG 2010/03/29	DESCRIPTION REV	$F_A=0$ $F_B=0$ $F_C=0$	QUALITY SYMBOLS	GENERAL TOLERANCES (UNLESS SPECIFIED)	DIMENSION STYLE MM ONLY	SCALE 1:1	DESIGN UNITS METRIC	THIRD ANGLE PROJECTION	
		4 PLACES ± --- ± --- 3 PLACES ± --- ± --- 2 PLACES ± 0.25 ± --- 1 PLACE ± 0.25 ± ---	mm INCH	DRAWN BY RZHANG	DATE 2005/07/01	TITLE 1.0MM PITCH DISPLAY PORT RECEPTACLE ASSEMBLY			
		ANGULAR ± 3 °	DRAFT WHERE APPLICABLE MUST REMAIN WITHIN DIMENSIONS	CHECKED BY IWANG	DATE 2005/07/01	MOLEX INCORPORATED			
		SEE CHART	THIS DRAWING CONTAINS INFORMATION THAT IS PROPRIETARY TO MOLEX INCORPORATED AND SHOULD NOT BE USED WITHOUT WRITTEN PERMISSION	APPROVED BY RZHANG	DATE 2010/03/26	MATERIAL NO.	DOCUMENT NO.	SHEET NO.	

10 9 8 7 6 5 4 3 2 1

WITHOUT POST

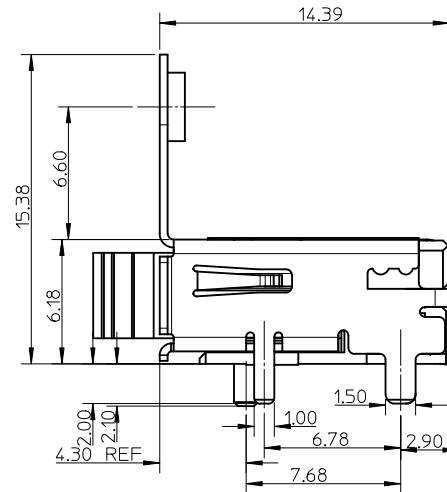
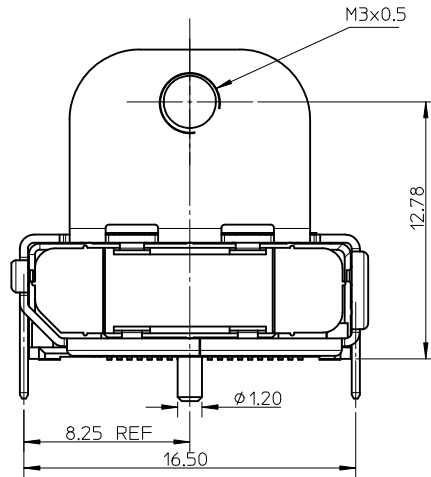
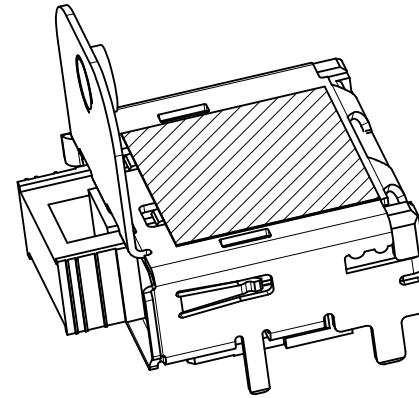
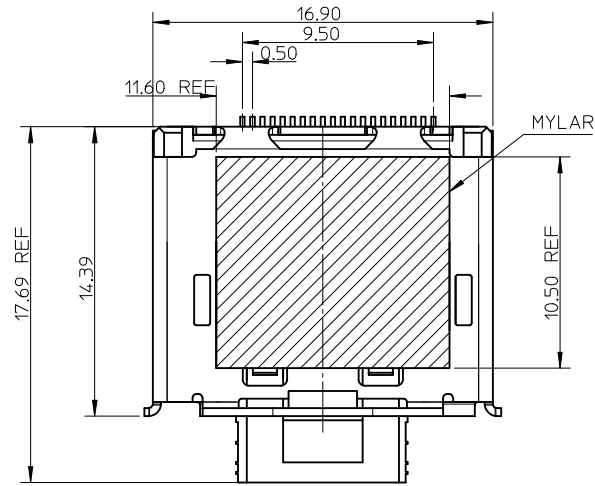


RECOMMENDED PCB LAYOUT (THICKNESS=1.6±0.15)

NOTES:
UNSPECIFIED DIMENSION ARE SAME AS SHEET1

REVISED EC NO: SH2010-0353 DRW: HHE CHK: FYANG05 APP: RZHANG	2010/03/08	QUALITY SYMBOLS ▽=0 ▽=0 ▽=0	GENERAL TOLERANCES (UNLESS SPECIFIED)		DIMENSION STYLE	SCALE	DESIGN UNITS	THIRD ANGLE PROJECTION
	2010/03/24		mm	INCH	MM ONLY	1:1	METRIC	
	2010/03/29		4 PLACES ± --- ± ---	3 PLACES ± --- ± ---	DRAWN BY	DATE	TITLE	
			2 PLACES ± 0.25 ± ---	1 PLACE ± 0.25 ± ---	RZHANG	2005/07/01	1.0MM PITCH DISPLAY PORT RECEPTACLE ASSEMBLY	
			ANGULAR ± 3 °					
			DRAFT WHERE APPLICABLE MUST REMAIN WITHIN DIMENSIONS		APPROVED BY	DATE	MOLEX INCORPORATED	
					RZHANG	2010/03/26	DOCUMENT NO.	SHEET NO.
					MATERIAL NO.		SD-47272-001	6 OF 8
					SEE SHEETS 5		THIS DRAWING CONTAINS INFORMATION THAT IS PROPRIETARY TO MOLEX INCORPORATED AND SHOULD NOT BE USED WITHOUT WRITTEN PERMISSION	

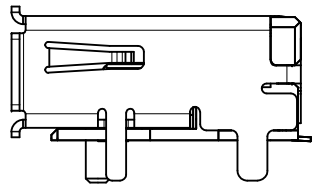
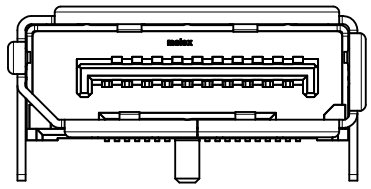
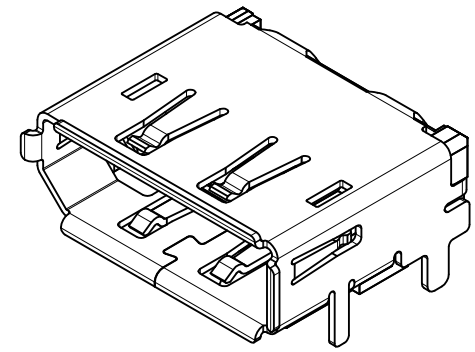
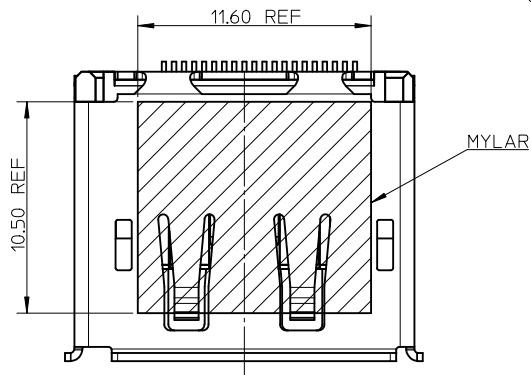
9 8 7 6 5 4 3 2 1



- NOTES:
1. UNSPECIFIC DIMENSION ARE SAME AS SHEET1
 2. THE RECOMMENDER PCB ARE SAME AS SHEET1

REVISED EC NO: SH2010-0353 DRW: HHE CHK: D-FYANG05 APP: RZHANG	REV DESCRIPTION 2010/03/08 2010/03/24 2010/03/29	QUALITY SYMBOLS	GENERAL TOLERANCES (UNLESS SPECIFIED)		DIMENSION STYLE	SCALE	DESIGN UNITS	THIRD ANGLE PROJECTION	
		$\nabla = 0$	mm	INCH	MM ONLY	1:1	METRIC		
		$\nabla = 0$	4 PLACES ± ---	± ---	DRAWN BY	DATE	TITLE		
		$\nabla = 0$	3 PLACES ± ---	± ---	RZHANG	2005/07/01	1.0MM PITCH DISPLAY PORT RECEPTACLE ASSEMBLY		
		2 PLACES ± 0.25	± ---	CHECKED BY	DATE	MATERIAL NO.			
		1 PLACE ± 0.25	± ---	IWANG	2005/07/01	DOCUMENT NO.			
		ANGULAR ± 3 °		APPROVED BY	DATE	SHEET NO.			
		DRAFT WHERE APPLICABLE MUST REMAIN WITHIN DIMENSIONS		RZHANG	2010/03/26	7 OF 8			
				SEE SHEETS 5	MATERIAL NO. SD-47272-001				
				SIZE A3	THIS DRAWING CONTAINS INFORMATION THAT IS PROPRIETARY TO MOLEX INCORPORATED AND SHOULD NOT BE USED WITHOUT WRITTEN PERMISSION				

STANDARD TYPE WITH MYLAR



NOTES:

- 1. UNSPECIFIC DIMENSION ARE SAME AS SHEET1
- 2. THE RECOMMENDER PCB ARE SAME AS SHEET1

REVISED EC NO: SH2010-0353 DRWN: HHE CHKD: FYANG05 APPR: RZHANG	2010/03/08 2010/03/24 2010/03/29	DESCRIPTION REV	QUALITY SYMBOLS $\nabla = 0$ $\nabla = 0$ $\nabla = 0$	GENERAL TOLERANCES (UNLESS SPECIFIED)		DIMENSION STYLE MM ONLY		SCALE 4:1	DESIGN UNITS METRIC	THIRD ANGLE PROJECTION			
				mm	INCH	DRAWN BY RZHANG	DATE 2005/07/01	TITLE 1.0MM PITCH DISPLAY PORT RECEPTACLE ASSEMBLY					
	4 PLACES			± ---	± ---	CHECKED BY IWANG	DATE 2005/07/01						
	3 PLACES			± ---	± ---	APPROVED BY RZHANG		DATE 2010/03/26	MATERIAL NO. SEE SHEETS 5		DOCUMENT NO. SD-47272-001		
2 PLACES	± 0.25	± ---	DRAFT WHERE APPLICABLE MUST REMAIN WITHIN DIMENSIONS										
1 PLACE	± 0.25	± ---	ANGULAR ± 3 °										