



# MI6-EC12-DF series

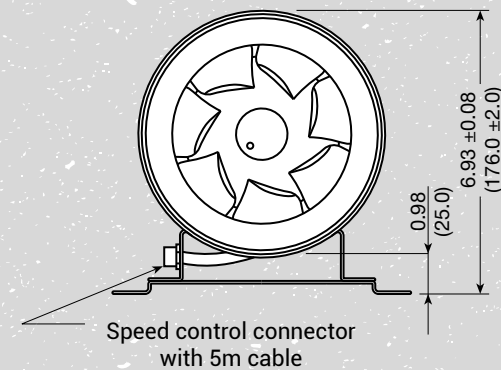
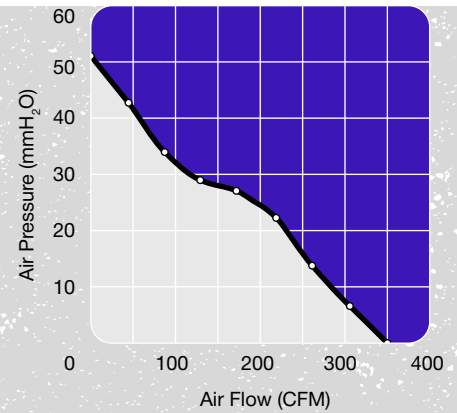


**(176 x 150 x 165 mm)**

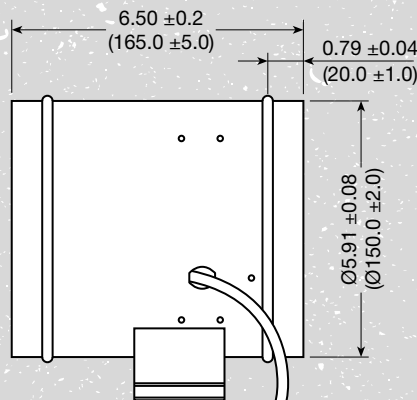
6.93 x 5.91 x 6.50 inches

- Construction: UL94V-0 plastic impeller
- Frame: steel
- Motor Design: EC Three Phase Six Pole Motor
- Bearing option: 2 ball bearings
- Lead Wire: 1.5m Cable with Wall Plug
- Features: Speed Controller (5m Cord), auto-restart, soft start, IPX4

Model No.	Rated Voltage	Freq.	Input Power	Rated Cur.	Speed	Air Volume		Max. Sta tic Pressure (H <sub>2</sub> O)		Sound Noise	Wt .
	VAC	HZ	W	A	RPM	M <sup>3</sup> /Min.	CFM	MM	INCH	dbA	g
MI6-EC12-DF	110	50/60	40	0.55	5,000	9.91	350	51.0	2.01	60	1600



Speed control connector with 5m cable



1.5m power code

