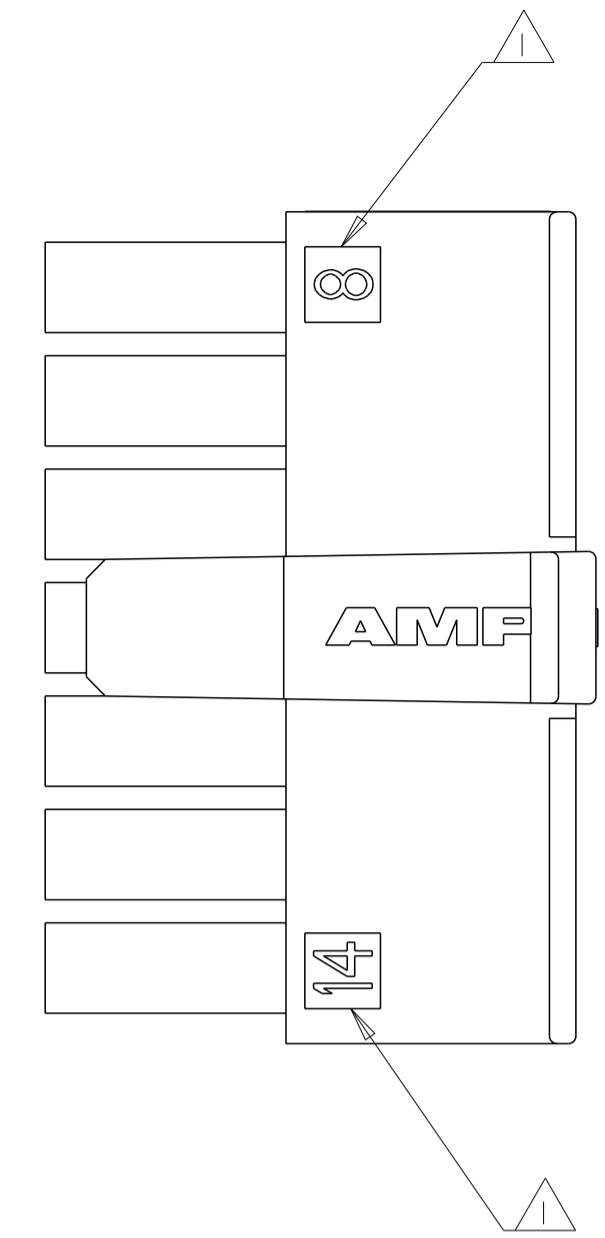
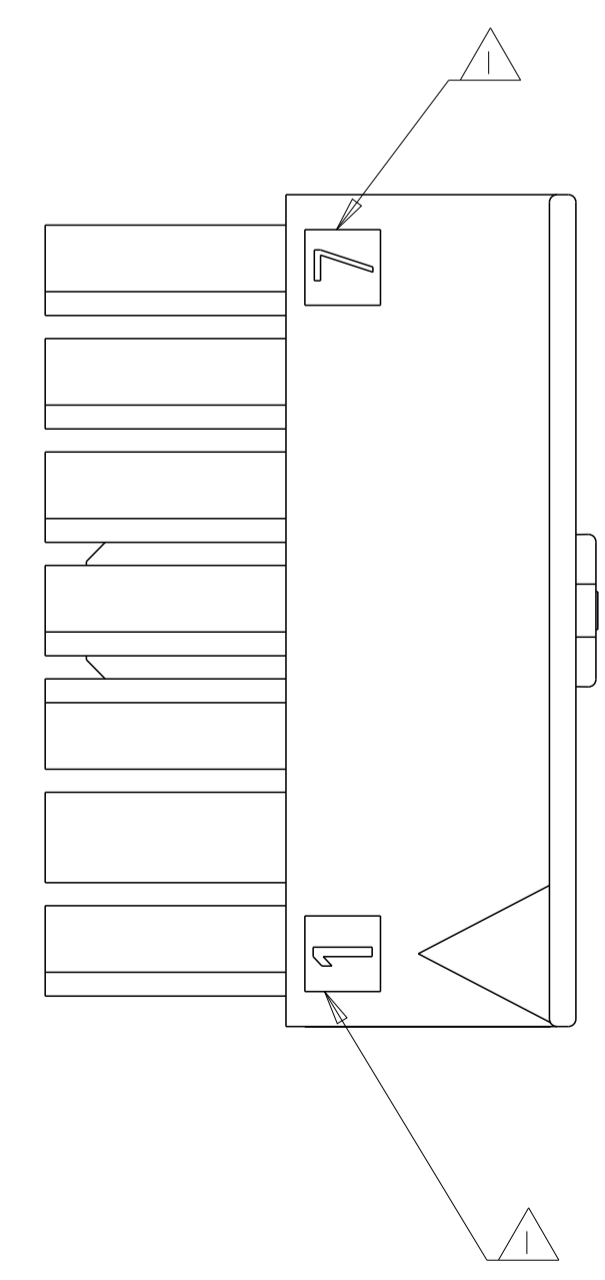
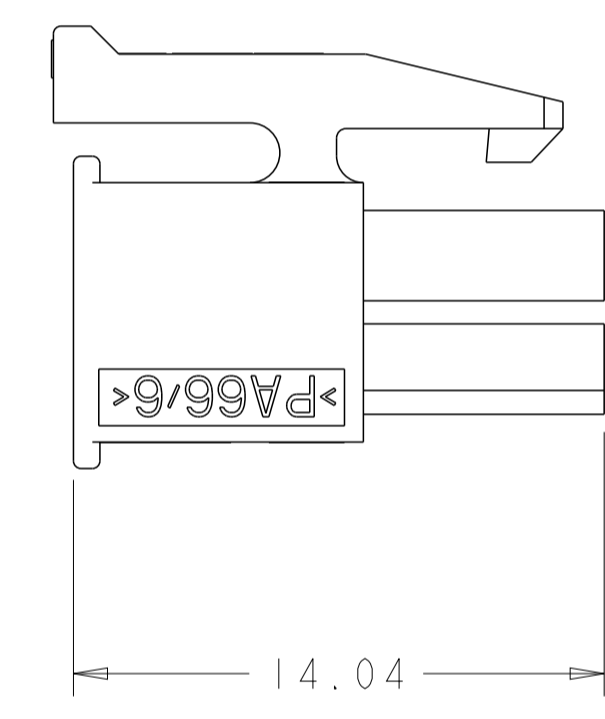
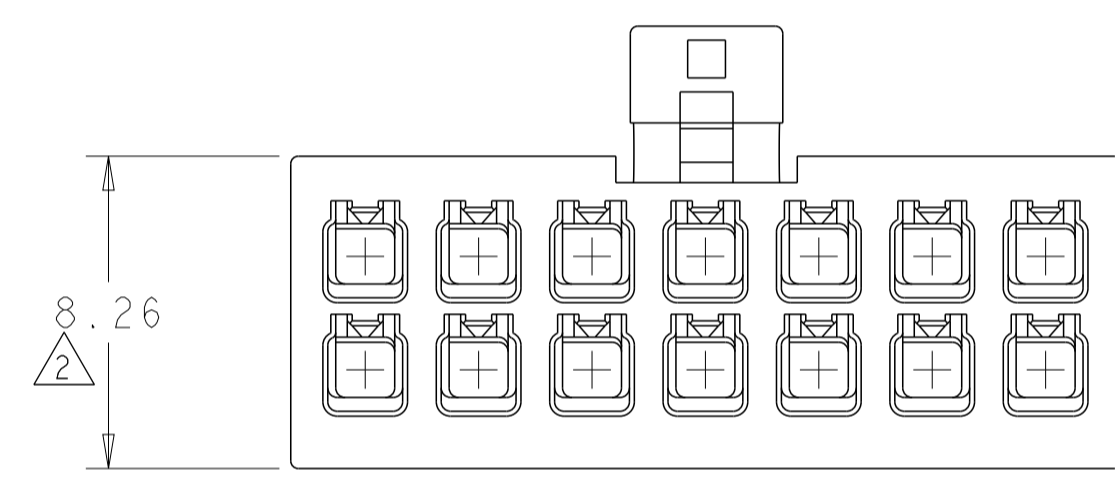
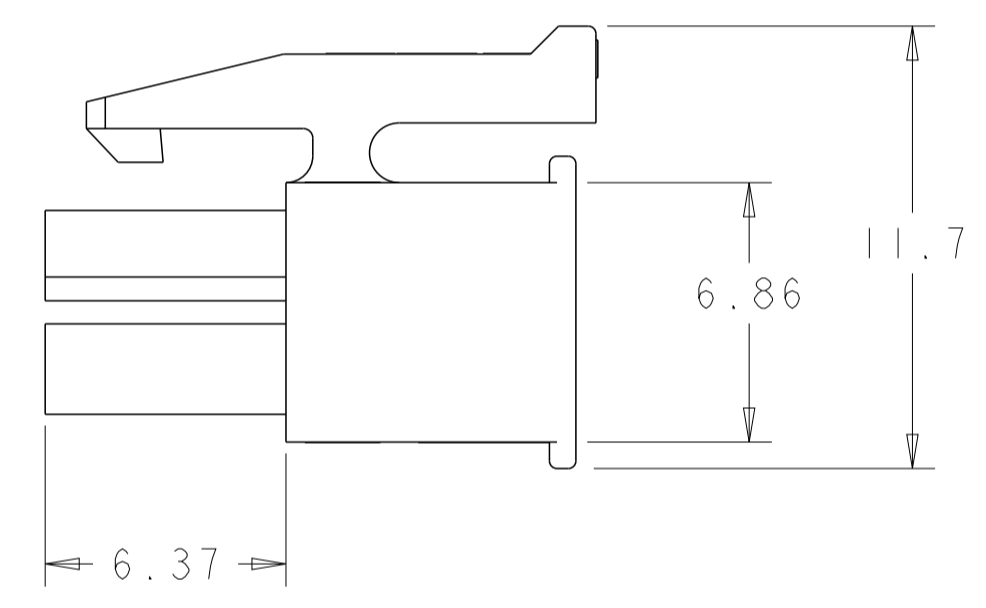
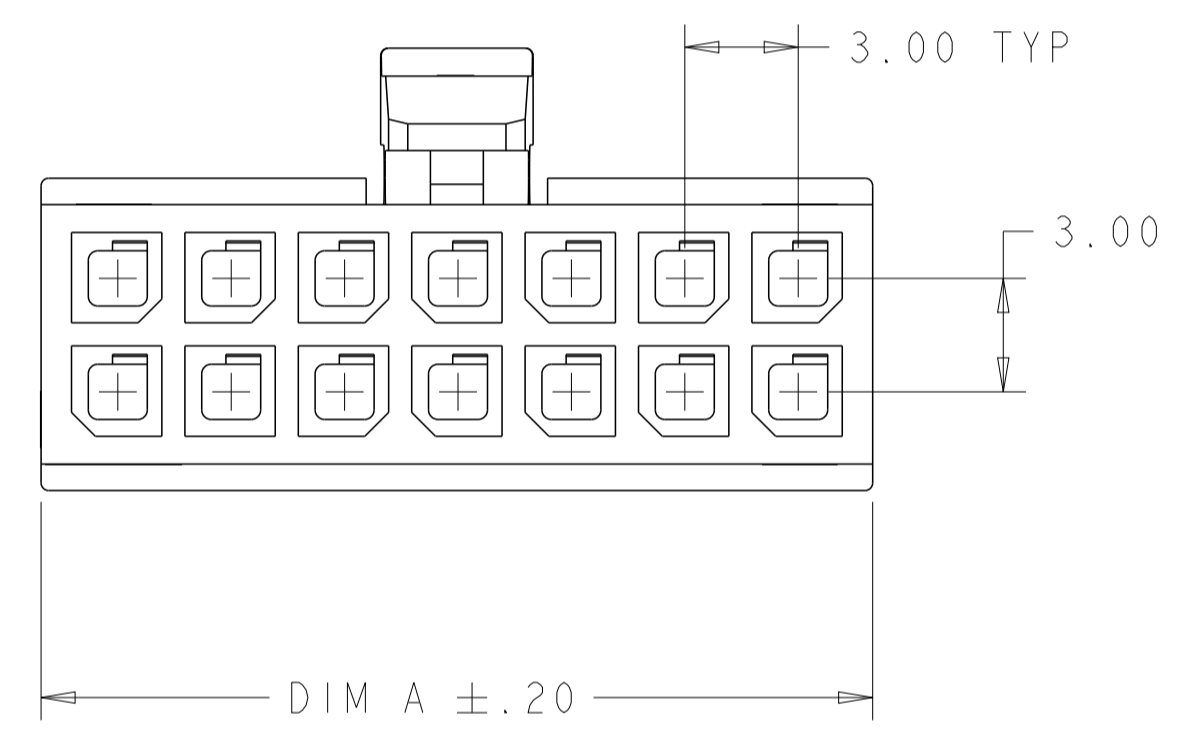


LOC		DIST		REVISIONS			
P	LTN	DESCRIPTION	DATE	DWN	APVD		
E8		REVISED PER ECR-16-013672	17OCT2016	BW	SC		



- △ CIRCUIT IDENTIFIER, LOCATED APPROXIMATELY AS SHOWN.
- △ DIMENSION ONLY 7.56 ON 2 POSITION.
- △ MATERIAL NYLON66/6 V0 UL94.
- △ MATERIAL PA6 V0 UL94.
- △ MATERIAL PA66 V0 GW UL94.
- △ PRELIMINARY PART NOT RELEASED FOR PRODUCTION.



REMARK	DIM A	NO. OF POS.	PART NUMBER
△ 5	16.00	10	3-794617-0
	10	6	3-794617-6
	7	4	3-794617-4
	4	2	3-794617-2
	13.00	8	3-794617-8
△ 4 △ 6	13.00	8	2-794617-8
	37.00	24	2-794617-4
△ 3	34.00	22	2-794617-2
	31.00	20	2-794617-0
	28.00	18	1-794617-8
	25.00	16	1-794617-6
	22.00	14	1-794617-4
	19.00	12	1-794617-2
	16.00	10	1-794617-0
	13.00	8	794617-8
	10.00	6	794617-6
	7.00	4	794617-4
	4.00	2	794617-2

THIS DRAWING IS A CONTROLLED DOCUMENT. DWN: K. WHITAKER 14OCT1999
 CHK: K. COBLE 14OCT1999
 APVD: K. COBLE 14OCT1999

STE TE Connectivity

NAME: RECEPTACLE HOUSING, 2 TO 24 POSITION, DUAL ROW, MICRO MATE-N-LOK™

PRODUCT SPEC: 108-1836
 APPLICATION SPEC: 114-13000

SIZE: A1 CAGE CODE: 00779 DRAWING NO: 794617

RESTRICTED TO: -

Customer Drawing SCALE: 5:1 SHEET: 1 OF 1 REV: E8