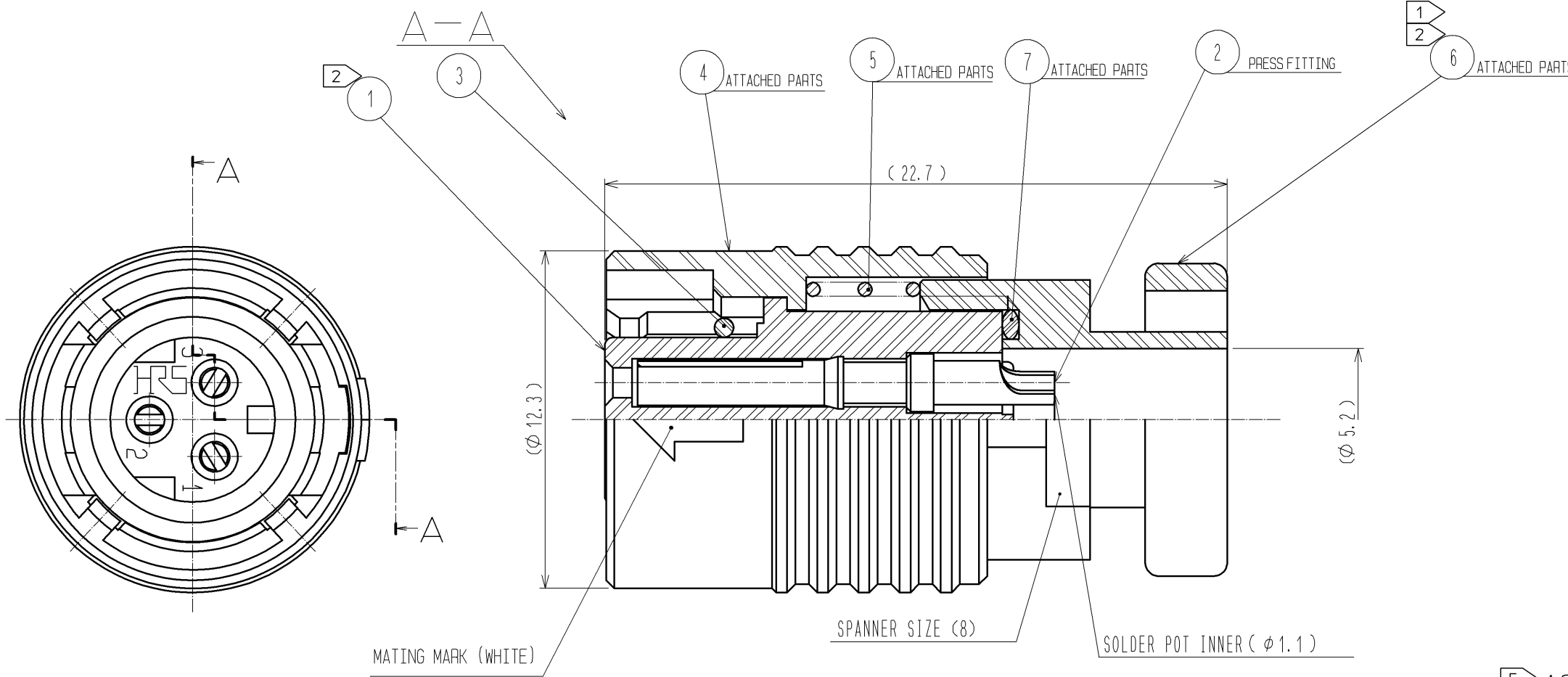


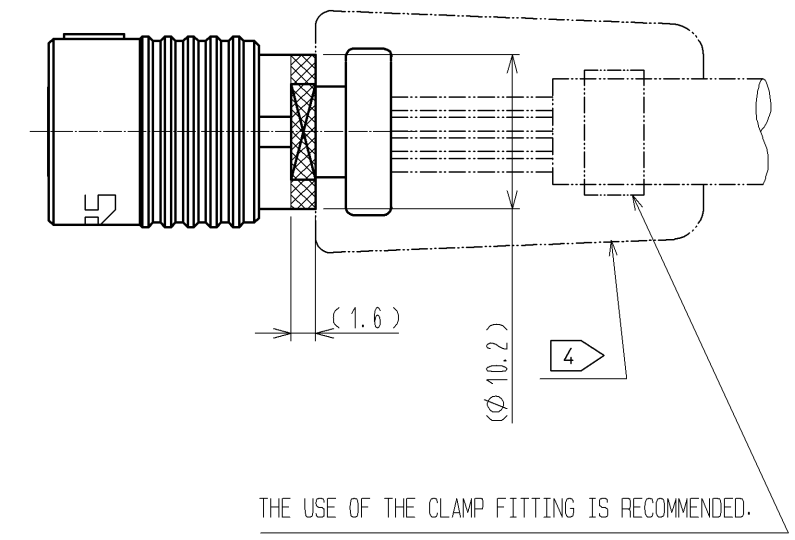
2010/04/14 01:41:35 CAROL, TRIBBLE

DRAWING FOR REFERENCE: This is subject to change without notice

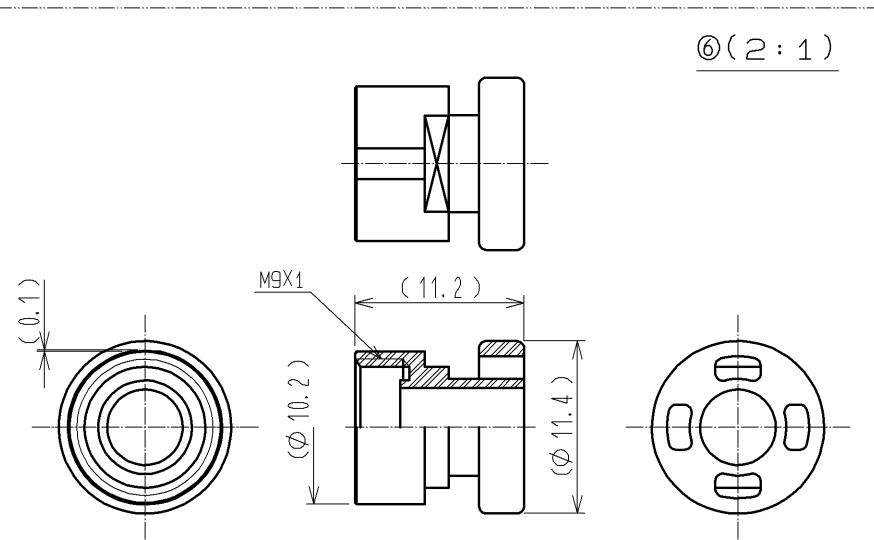
APPLICABLE STANDARD					
RATING	OPERATING TEMPERATURE RANGE	-25 °C TO +85 °C	STORAGE TEMPERATURE RANGE	-10 °C TO +60 °C	
	VOLTAGE	AC 100 V , DC 140 V			
	CURRENT	5 A	APPLICABLE CABLE		
SPECIFICATIONS					
ITEM	TEST METHOD		REQUIREMENTS	QT	AT
CONSTRUCTION					
GENERAL EXAMINATION	VISUALLY AND BY MEASURING INSTRUMENT.		ACCORDING TO DRAWING.	X	X
MARKING	CONFIRMED VISUALLY.			X	X
ELECTRIC CHARACTERISTICS					
CONTACT RESISTANCE	CONTACT SHALL BE MEASURED AT DC 1 A		5 mΩ MAX.	X	X
INSULATION RESISTANCE	100 V DC.		1000 MΩ MIN.	X	X
VOLTAGE PROOF	300 V AC. FOR 1 min.		NO FLASHOVER OR BREAKDOWN.	X	X
MECHANICAL CHARACTERISTICS					
CONTACT INSERTION AND WITHDRAWAL FORCES	φ0.991 ^{+0.003} ₀ BY STEEL GAUGE.		INSERTION AND WITHDRAWAL FORCES : 0.2 N MIN.	X	-
CONNECTOR INSERTION AND WITHDRAWAL FORCES	MEASURED BY APPLICABLE CONNECTOR.		INSERTION AND WITHDRAWAL FORCES LOCKING DEVICE WITH UNLOCK : — N MAX. LOCKING DEVICE WITH LOCK : 30 N MAX.	X	-
MECHANICAL OPERATION	1000 TIMES INSERTIONS AND EXTRACTIONS.		CONTACT RESISTANCE: 10 mΩ MAX.	X	-
VIBRATION	FREQUENCY: 10 → 55 → 10 (Hz) (1CYC,5min), SINGLE AMPLITUDE 0.75 mm, AT 10 CYC, FOR 3 DIRECTIONS.		① NO ELECTRICAL DISCONTINUITY OF 10 μs. ② NO DAMAGE, CRACK AND LOOSENESS, OF PARTS.	X	-
SHOCK	490 m/s ² DIRECTIONS OF PULSE 11 ms AT 3 TIMES FOR 3 DIRECTIONS.		① NO ELECTRICAL DISCONTINUITY OF 10 μs. ② NO DAMAGE, CRACK AND LOOSENESS, OF PARTS.	X	-
ENVIRONMENTAL CHARACTERISTICS					
DAMP HEAT (STEADY STATE)	EXPOSED AT 40 °C, 90 TO 95 %, 96 h.		① INSULATION RESISTANCE: 10 MΩ MIN (AT HIGH HUMIDITY). ② INSULATION RESISTANCE: 100 MΩ MIN (AT DRY). ③ NO DAMAGE, CRACK AND LOOSENESS OF PARTS.	X	-
RAPID CHANGE OF TEMPERATURE	TEMPERATURE -55→ R/T ⁽¹⁾ → +85 → R/T °C TIME 30 → 10 TO 15 → 30 → 10 TO 15 min UNDER 5 CYCLES.		① INSULATION RESISTANCE: 100 MΩ MIN. ② NO DAMAGE, CRACK AND LOOSENESS OF PARTS.	X	-
CORROSION SALT MIST	EXPOSED IN 5 % SALT WATER SPRAY FOR 48 h.		NO HEAVY CORROSION RUIN THE FUNCTION.	X	-
DRY HEAT	EXPOSED AT + 85 °C , 96 h.		NO DAMAGE, CRACK AND LOOSENESS OF PARTS.	X	-
COLD	EXPOSED AT - 55 °C , 96 h.		NO DAMAGE, CRACK AND LOOSENESS OF PARTS.	X	-
RESISTANCE TO SOLDERING HEAT	SOLDER TEMPERATURE +380±10°C, FOR IMMERSION DURATION, 3 s.		NO DEFORMATION OF CASE OF EXCESSIVE LOOSENESS OF THE TERMINALS	X	-
SOLDERABILITY	SOLDERED AT SOLDER TEMPERATURE, +350±10°C FOR IMMERSION DURATION, 2 TO 3 s		SOLDER SURFACE TO BE FREE FROM PIN-HOLE, NO WETTING AND OTHER DEFECTS.	X	-
SEALING	EXPOSED AT A DEPTH OF 1 m FOR 0.5 h.		NO WATER PENETRATION INSIDE CONNECTOR.	X	-
AIRTIGHTNESS	APPLY AIR PRESSURE 17.6kPa FOR 0.5min TO INSIDE CONNECTOR.		NO AIR BUBBLES INSIDE CONNECTOR.	X	-
	COUNT	DESCRIPTION OF REVISIONS	DESIGNED	CHECKED	DATE
①					
REMARK			APPROVED	SU. OBARA	09.11.09
NOTES(1)R/T : ROOM TEMPERATURE			CHECKED	HY. KISHI	09.11.09
(2)SEALING AND AIRTIGHTNESS SHALL BE TESTED BY APPLICABLE CONNECTOR.			DESIGNED	TY. SUZUKI	09.11.06
Unless otherwise specified, refer to JIS C 5402.			DRAWN	TY. SUZUKI	09.11.06
Note QT:Qualification Test AT:Assurance Test X:Applicable Test			DRAWING NO.		ELC4-116599-00
HRS	SPECIFICATION SHEET		PART NO.	HR30-6PB-3S	
	HIROSE ELECTRIC CO., LTD.		CODE NO.	CL130-0034-2-00	△ 1/1



5 ASSEMBLY PROCEDURE (2:1)



- NOTES
- 1 THE RECOMMENDED CLUMP TORQUE OF REF. NO. 6 IS 0.5N·m. LOCTITE 271, LOCPRIMER 7649, HENKEL JAPAN LTD IS RECOMMENDED TO PREVENT REF. NO. 6 FROM LOOSENING.
 - 2 ROTATION EXAMPLES OF NO. 1 AND NO. 6 ARE SHOWN. FOR OVERMOLDING NOTE THAT THE POSITION IS NOT ALWAYS THE SAME.
 - 3 APPLICABLE JIG
SOLDER TERMINATION FIXTURE : HR30-6P-3S-TC01(CL150-0220-1)
 - 4 WHEN THIS PRODUCT ASSEMBLED, IT SHALL APPLY TO ETAD-C0198 AND BE OVERMOLDED BY CUSTOMER.
CABLE CLAMP STRENGTH, WATERPROOF PERFORMANCE DEPEND ON OVERMOLD. WE RECOMMENDED CHECKING THE QUALITY BEFORE THE USAGE.
 - 5 THE MOLDING DIE FOR OVERMOLDING SHALL BE DESIGNED AS HOLDING DOWN THE AREA (SPANNER SETTING AREA(8) AND CIRCUMFERENCE OF (φ10.2)) AS SHOWN IN THE DRAWING.



4	POLYBUTYLENE TEREPHTHALATE	(BLACK) UL94V-0			
3	SILICONE RUBBER	(RED)	7	SILICONE RUBBER	(RED)
2	PHOSPHOR BRONZE	SURFACE PLATING : GOLD PLATING 0.2μm min UNDER PLATING : NICKEL PLATING 2μm min	6	POLYBUTYLENE TEREPHTHALATE	(BLACK) UL94V-0
1	POLYPHENYLENE SULFIDE	(BLACK) UL94V-0	5	STAINLESS STEEL	
NO.	MATERIAL	FINISH . REMARKS	NO.	MATERIAL	FINISH . REMARKS
UNITS mm		SCALE 5 : 1	COUNT △	DESCRIPTION OF REVISIONS	
DESIGNED		CHECKED		DATE	
APPROVED : SU. OBARA			09.11.09	DRAWING NO. EDC3-116599-00	
CHECKED : HY. KISHI			09.11.09	PART NO. HR30-6PB-3S	
DESIGNED : TY. SUZUKI			09.11.06	CODE NO. CL130-0034-2-00	
DRAWN : TY. SUZUKI			09.11.06	△ 1/1	