

PLEASE CHECK WWW.MOLEX.COM FOR LATEST PART INFORMATION

Part Number: [0780461020](#)
Status: **Active**
Overview: milligrid
Description: 2.00mm (.079") Pitch Milli-Grid™ Header, Right Angle, Through Hole, Shrouded, 10 Circuits, 0.38µm (15µ") Gold (Au) Plating, with 2 Side Locking Slots, Center Polarization Window, Tube Packaging, Lead-free

Documents:

[3D Model](#) [Product Specification PS-78046-001 \(PDF\)](#)
[Drawing \(PDF\)](#) [RoHS Certificate of Compliance \(PDF\)](#)

Agency Certification

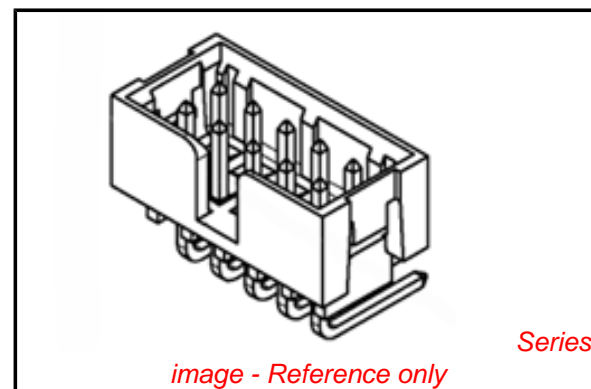
UL E29179

General

Product Family PCB Headers
 Series [78046](#)
 Application Wire-to-Board
 Overview [milligrid](#)
 Product Name Milli-Grid™

Physical

Breakaway No
 Circuits (Loaded) 10
 Circuits (maximum) 10
 Color - Resin Black
 First Mate / Last Break No
 Flammability 94V-0
 Glow-Wire Compliant No
 Guide to Mating Part No
 Keying to Mating Part None
 Lock to Mating Part Yes
 Material - Metal Phosphor Bronze
 Material - Plating Mating Gold
 Material - Plating Termination Tin
 Material - Resin Nylon
 Number of Rows 2
 Orientation Right Angle
 PC Tail Length (in) 0.085 In
 PC Tail Length (mm) 2.16 mm
 PCB Locator No
 PCB Retention None
 Packaging Type Tube
 Pitch - Mating Interface (in) 0.079 In
 Pitch - Mating Interface (mm) 2.00 mm
 Pitch - Term. Interface (in) 0.079 In
 Pitch - Term. Interface (mm) 2.00 mm
 Plating min: Mating (µin) 15
 Plating min: Mating (µm) 0.38
 Plating min: Termination (µin) 74.0
 Plating min: Termination (µm) 1.88
 Polarized to Mating Part No
 Polarized to PCB No
 Shrouded Closed Ends
 Stackable No
 Surface Mount Compatible (SMC) No



EU RoHS

ELV and RoHS Compliant
REACH SVHC Contains SVHC: No
Halogen-Free Status
Not Reviewed

China RoHS



Need more information on product environmental compliance?

Email productcompliance@molex.com
 For a multiple part number RoHS Certificate of Compliance, [click here](#)

Please visit the [Contact Us](#) section for any non-product compliance questions.

Search Parts in this Series

[78046Series](#)

Mates With

[78045 Crimp Receptacle Housing](#)

Use With

[50394 Crimp Terminals](#)

Temperature Range - Operating -55°C to +105°C
Termination Interface: Style Through Hole

Electrical

Current - Maximum per Contact 2A
Voltage - Maximum 125V DC

Solder Process Data

Duration at Max. Process Temperature (seconds) 10
Lead-free Process Capability Wave Capable (TH only)
Max. Cycles at Max. Process Temperature 1
Process Temperature max. C 260

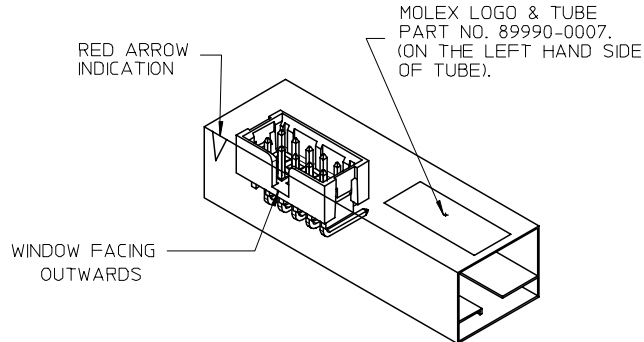
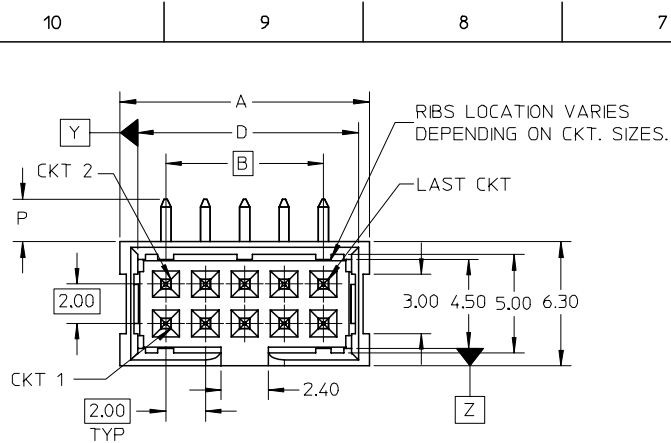
Material Info

Reference - Drawing Numbers

Product Specification PS-78046-001
Sales Drawing SD-78046-001

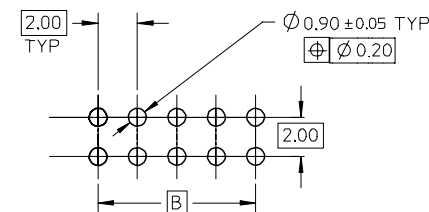
This document was generated on 06/07/2010

PLEASE CHECK WWW.MOLEX.COM FOR LATEST PART INFORMATION

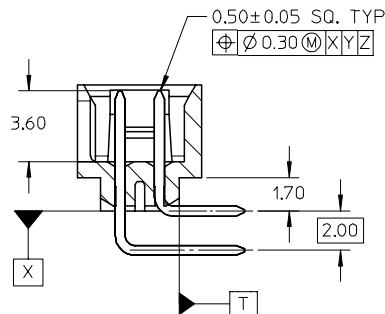
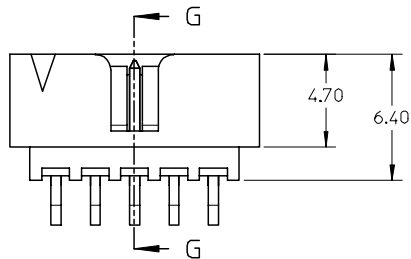


REF: ORIENTATION OF PART IN TUBE
(FOR THE REFERENCE OF PART/TUBE ASSEMBLY)

PART NO.	CKT SIZE	VOID PIN LOCATION	A	B	C	D	P
78046-0420	4	-	6.65	2.00	4.63	4.85	2.16
78046-0620	6	-	8.65	4.00	6.63	6.85	
78046-0820	8	-	10.65	6.00	8.63	8.85	
78046-1020	10	-	12.65	8.00	10.63	10.85	
78046-1021	10	7					
78046-1022	10	9					
78046-1023	10	8	14.65	10.00	12.63	12.85	
78046-1220	12	-					



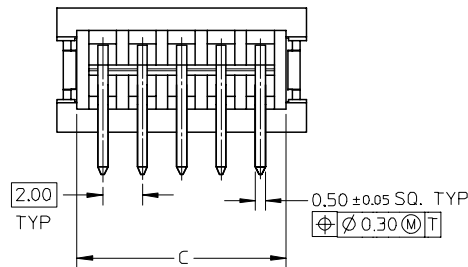
RECOMMENDED PCB PATTERN



SECTION G-G

NOTES:

- FOR ILLUSTRATION PURPOSES, 10 CIRCUIT SIZE WAFER IS SHOWN.
- MATERIAL :
HOUSING : NYLON 46, UL94V-0, COLOR : BLACK
PIN : 0.50MM SQ. PHOSPHOR BRONZE.
- PLATING : 0.38µm/15µm GOLD IN CONTACT AREA AND 1.88µm/75µm MIN. TIN IN SOLDER TAIL AREA OVER 1.27µm/50µm MIN. NICKEL OVERALL.
- PRODUCT SPECIFICATION PS-87831-027 APPLIES.
- THIS HEADER MATES WITH MOLEX:
- CRIMP RECEPTACLE HOUSING, 78045 SERIES WITH CRIMP TERMINAL, 50394 SERIES.



PDR#S-001707-00-00 EC NO: S2008-0325 DRWN:ATSEE 2007/10/26 CHKD:SKANG 2007/10/26 APPR:MLONG 2007/10/26	QUALITY SYMBOLS	GENERAL TOLERANCES (UNLESS SPECIFIED)	DIMENSION STYLE	SCALE	DESIGN UNITS	THIRD ANGLE PROJECTION															
	$\nabla = 0$ $\nabla C = 0$	<table border="1"> <thead> <tr> <th></th> <th>mm</th> <th>INCH</th> </tr> </thead> <tbody> <tr> <td>4 PLACES</td> <td>± ---</td> <td>± ---</td> </tr> <tr> <td>3 PLACES</td> <td>± ---</td> <td>±</td> </tr> <tr> <td>2 PLACES</td> <td>± 0.2</td> <td>±</td> </tr> <tr> <td>1 PLACE</td> <td>±</td> <td>± ---</td> </tr> </tbody> </table>		mm	INCH	4 PLACES	± ---	± ---	3 PLACES	± ---	±	2 PLACES	± 0.2	±	1 PLACE	±	± ---	MM ONLY	NTS	METRIC	
		mm	INCH																		
	4 PLACES	± ---	± ---																		
3 PLACES	± ---	±																			
2 PLACES	± 0.2	±																			
1 PLACE	±	± ---																			
DRAFT WHERE APPLICABLE MUST REMAIN WITHIN DIMENSIONS	<table border="1"> <thead> <tr> <th>SIZE</th> <th>DATE</th> <th>TITLE</th> </tr> </thead> <tbody> <tr> <td>SKANG</td> <td>2006/05/16</td> <td rowspan="3">MGRID, SHROUDED HEADER W/SLOT AND SIDE LOCKS R/A</td> </tr> <tr> <td>MLONG</td> <td>2006/06/05</td> </tr> <tr> <td>SKTOH</td> <td>2006/06/09</td> </tr> </tbody> </table>	SIZE	DATE	TITLE	SKANG	2006/05/16	MGRID, SHROUDED HEADER W/SLOT AND SIDE LOCKS R/A	MLONG	2006/06/05	SKTOH	2006/06/09	<table border="1"> <thead> <tr> <th>MATERIAL NO.</th> <th>DOCUMENT NO.</th> <th>SHEET NO.</th> </tr> </thead> <tbody> <tr> <td></td> <td>SD-78046-001</td> <td>1 OF 1</td> </tr> </tbody> </table>	MATERIAL NO.	DOCUMENT NO.	SHEET NO.		SD-78046-001	1 OF 1			
SIZE	DATE	TITLE																			
SKANG	2006/05/16	MGRID, SHROUDED HEADER W/SLOT AND SIDE LOCKS R/A																			
MLONG	2006/06/05																				
SKTOH	2006/06/09																				
MATERIAL NO.	DOCUMENT NO.	SHEET NO.																			
	SD-78046-001	1 OF 1																			
REV	DESCRIPTION	THIS DRAWING CONTAINS INFORMATION THAT IS PROPRIETARY TO MOLEX INCORPORATED AND SHOULD NOT BE USED WITHOUT WRITTEN PERMISSION																			