

NOTE:

MATERIAL

M12 INSULATOR PA66, UL94V-0, BLACK  
 CONTACT GOLD FLASH PLATED BRASS  
 NUT NICKEL PLATED BRASS

ELECTRICAL

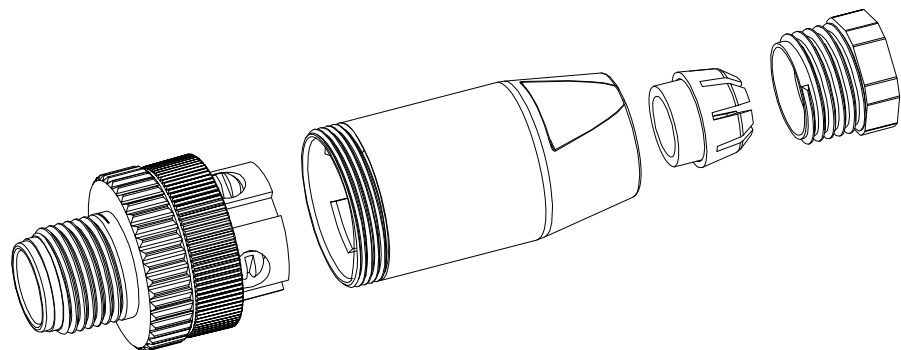
RATED CURRENT 2A(8P) / 4A(4/5P)  
 VOLTAGE 30V(8P) / 60V(5P) / 250V(4P)  
 INSULATOR RESISTANCE 100 MOhms MIN.  
 CONTACT RESISTANCE 10 mOhms MAX.  
 MATING CYCLES 100 CYCLES MIN

ENVIRONMENT

OPERATION TEMPERATURE -40°C TO +85°C  
 IP RATING IP66

RECOMMENDED TORQUE

0.4Nm TO 0.8Nm



858FYYY-103RAU1

SERIES 858F = M12 FIELD INSTALLABLE  
 CONTACT ARRANGEMENT A04 = 4P A-CODE  
 A05 = 5P A-CODE  
 A08 = 8P A-CODE  
 D04 = 4P D-CODE  
 B05 = 5P B-CODE  
 GENDER 1 = MALE  
 CABLE OD A = 4mm-6mm OD  
 CONTACT PLATING 1 = GOLD FLASH

MALE

A04	A05	A08	D04	B05

RoHS COMPLIANT

UNITS = mm

DO NOT SCALE FROM DRAWING



THESE DRAWINGS AND SPECIFICATIONS ARE THE PROPERTY OF NorComp AND SHALL NOT BE REPRODUCED, COPIED OR USED AS THE BASIS FOR THE MANUFACTURE OR SALE OF APPARATUS WITHOUT WRITTEN PERMISSION.

DRAWN:

J. KADEL

DATE:

02/04/2022

NorComp

SCALE: NTS

SHEET 1 OF 1

REV 0

DWG NO.

858FYYY-103RAU1