



75 Ohm 1.0/2.3 Plug Push-On Connector Crimp/ Crimp Attachment for BELDEN 1855A

RF Connectors Technical Data Sheet

PE45228

Configuration

- Push-On 1.0/2.3 Plug Connector
- 75 Ohms
- Straight Body Geometry
- BELDEN 1855A Interface Type
- Crimp/Crimp Attachment

Features

- Push-On connection
- Secure locking mechanism
- Performance to 3 GHz
- 500 Mating cycles

Applications

- Data Communications
- Video Processors
- Switching Equipment

Description

Pasternack's 75 Ohm DIN 1.0/2.3 connectors allow for a secure locking push-pull connection. These 1.0/2.3 connectors have an impedance of 75 Ohms and operate to 3 GHz, making these RF connectors an excellent choice for many data communications and audio/video applications. The small size of these 75 ohm 1.0/2.3 DIN connectors allows for a dense connector-to-connector footprint, saving valuable space in panels and other applications requiring a high number of interconnects. The durable positive locking connectors have a mating life of up to 500 connections.

Electrical Specifications

| Description | Minimum | Typical | Maximum | Units |
|-----------------|---------|---------|---------|-------|
| Frequency Range | DC | | 3 | GHz |
| VSWR | | | 1.15:1 | |

Mechanical Specifications

Size

| | |
|------------|--------------------|
| Length | 1.33 in [33.78 mm] |
| Width/Dia. | 0.307 in [7.80 mm] |
| Weight | 0.019 lbs [8.62 g] |

Click the following link (or enter part number in "SEARCH" on website) to obtain additional part information including price, inventory and certifications: [75 Ohm 1.0/2.3 Plug Push-On Connector Crimp/Crimp Attachment for BELDEN 1855A PE45228](#)



75 Ohm 1.0/2.3 Plug Push-On Connector Crimp/ Crimp Attachment for BELDEN 1855A

RF Connectors Technical Data Sheet

PE45228

Material Specifications

| Description | Material | Plating |
|--------------|----------|---------|
| Contact | Brass | Gold |
| Insulation | PTFE | |
| Body | Brass | Nickel |
| Coupling Nut | Brass | Nickel |
| Crimp Sleeve | Copper | Nickel |

Environmental Specifications

Temperature

Operating Range

-65 to 165 deg C

Compliance Certifications (see [product page](#) for current document)

Plotted and Other Data

Notes:

75 Ohm 1.0/2.3 Plug Push-On Connector Crimp/Crimp Attachment for BELDEN 1855A from Pasternack Enterprises has same day shipment for domestic and International orders. Our RF, microwave and millimeter wave products maintain a 99% availability and are part of the broadest selection in the industry.

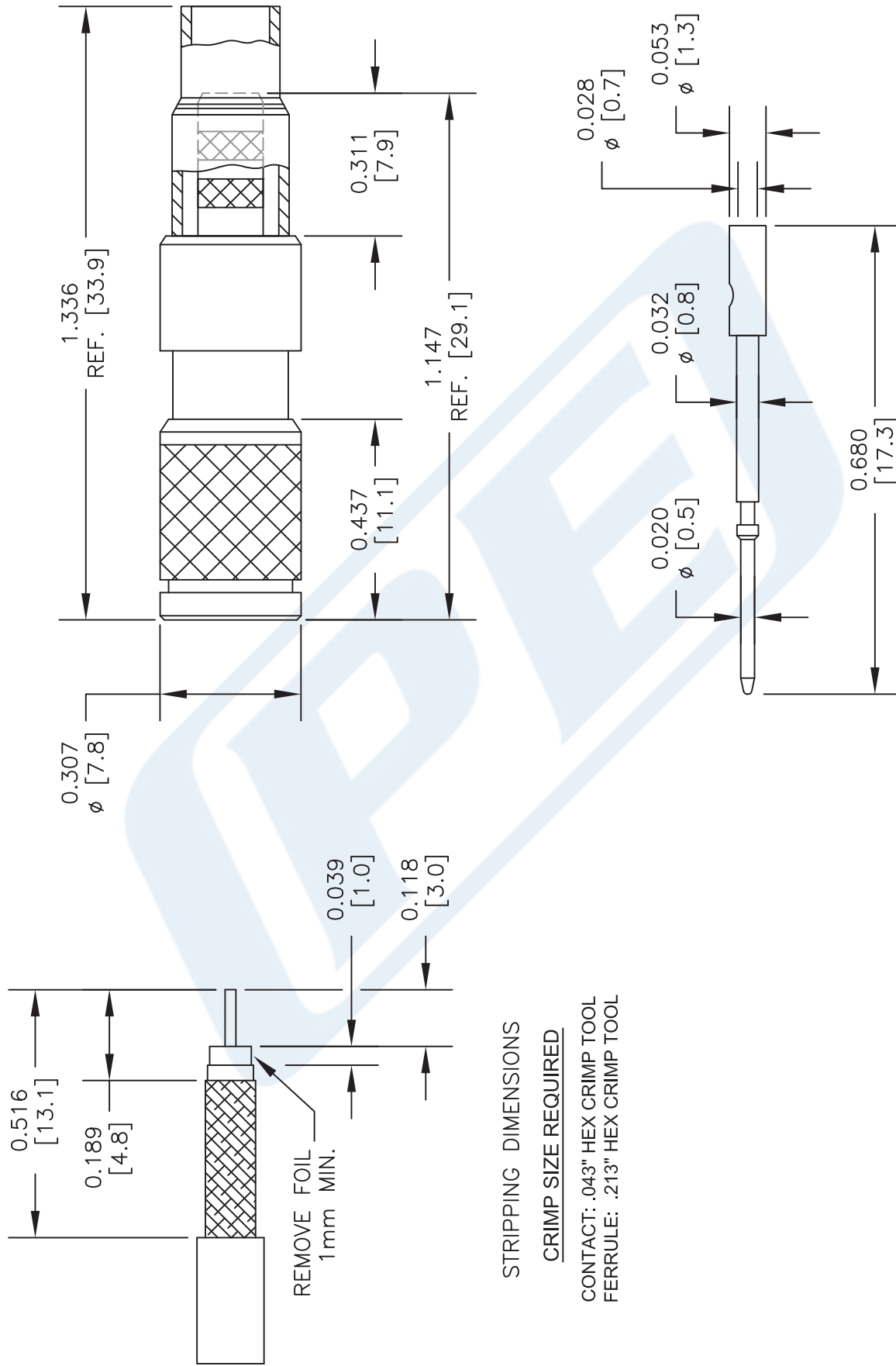
Click the following link (or enter part number in "SEARCH" on website) to obtain additional part information including price, inventory and certifications: [75 Ohm 1.0/2.3 Plug Push-On Connector Crimp/Crimp Attachment for BELDEN 1855A PE45228](#)

URL: <https://www.pasternack.com/1.0-2.3-plug-push-on-belden-1855a-connector-pe45228-p.aspx>

The information contained in this document is accurate to the best of our knowledge and representative of the part described herein. It may be necessary to make modifications to the part and/or the documentation of the part, in order to implement improvements. Pasternack reserves the right to make such changes as required. Unless otherwise stated, all specifications are nominal. Pasternack does not make any representation or warranty regarding the suitability of the part described herein for any particular purpose, and Pasternack does not assume any liability arising out of the use of any part or documentation.

PE45228 CAD Drawing

75 Ohm 1.0/2.3 Plug Push-On Connector Crimp/Crimp Attachment for BELDEN 1855A



NOTES:
 1. UNLESS OTHERWISE SPECIFIED ALL DIMENSIONS ARE NOMINAL.
 2. ALL SPECIFICATIONS ARE SUBJECT TO CHANGE WITHOUT NOTICE AT ANY TIME.
 3. DIMENSIONS ARE IN INCHES [mm].
 4. FITS MIL-C-17 AND EQUIVALENT CABLES.

DWG TITLE
PE45228

FSCM NO. 53919

CAD FILE 060316

SCALE N/A

SIZE A

2233

PE PASTERNAK
 THE ENGINEER'S RF SOURCE
 Pasternack Enterprises, Inc.
 P.O. Box 16759 | Irvine | CA | 92623
 Phone: (949) 261-1920 | Fax: (949) 261-7451
 Website: www.pasternack.com | E-Mail: sales@pasternack.com