

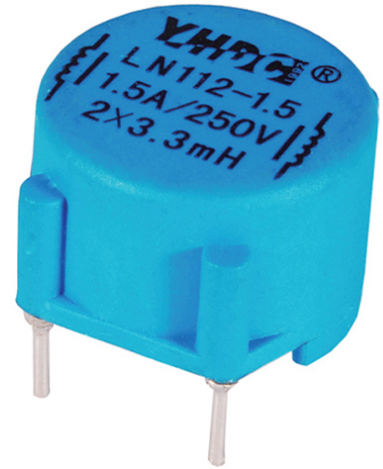
Model:LN112-0.6

**Characteristics:**

It is used for switching power supply, suppressing common mode interference signal.

**Technical index:**

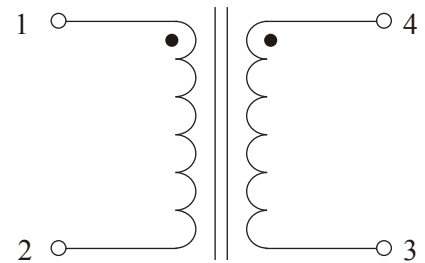
- Installation method: PCB
- Flame resistance: UL94-V0
- Operating temperature: -20°C~+100°C
- Storage temperature: -20°C~+100°C
- Frequency range: DC~1KHz
- Dielectric strength: 1.5KV/1min (between two coils)  
4KV/1min (between coil&shell)



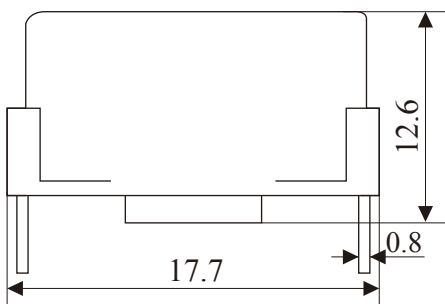
**Electrical parameters:**

|                            |                               |    |
|----------------------------|-------------------------------|----|
| Rated current              | 0.6                           | A  |
| Inductance 1KHz,0.3V       | 15                            | mH |
| Inductance error           | -30~+50                       | %  |
| DC resistance              | 465                           | mΩ |
| Maximum operating voltage  | 250                           | V  |
| Permissible inrush current | 20 times of rated current(ms) |    |
| Weight                     | 6                             | g  |

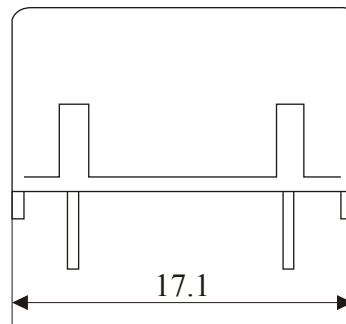
**Schematic wiring diagram:**



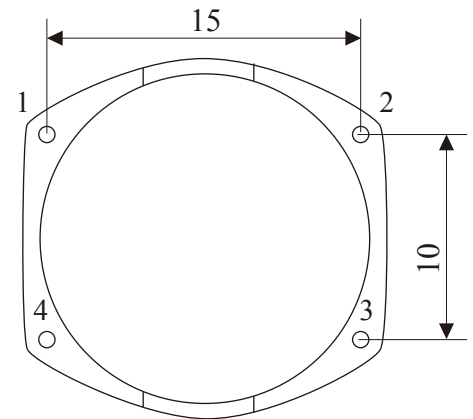
**Dimensions(in mm):**



Front View



Side View



Bottom View