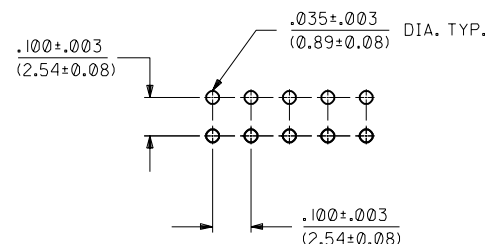
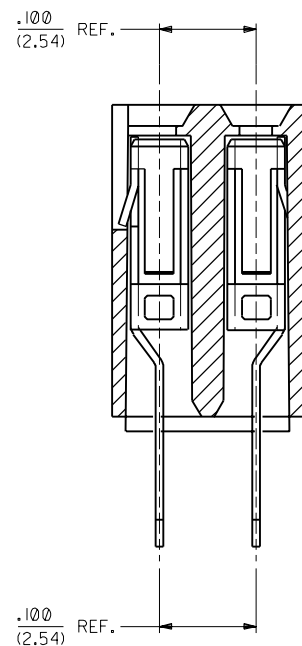
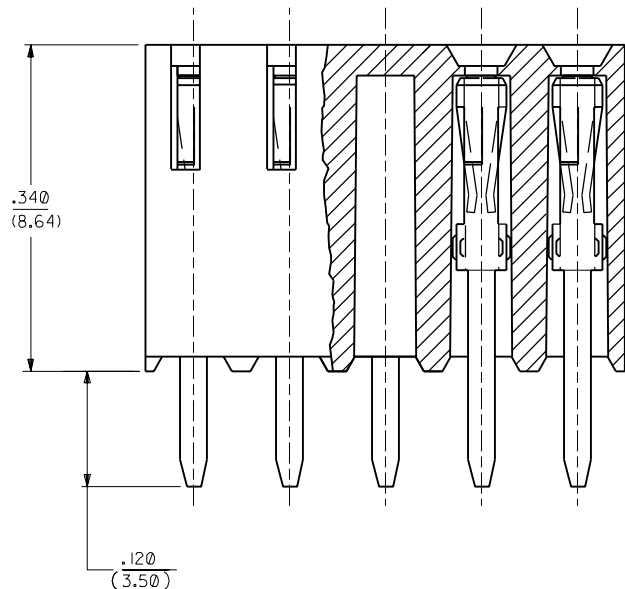
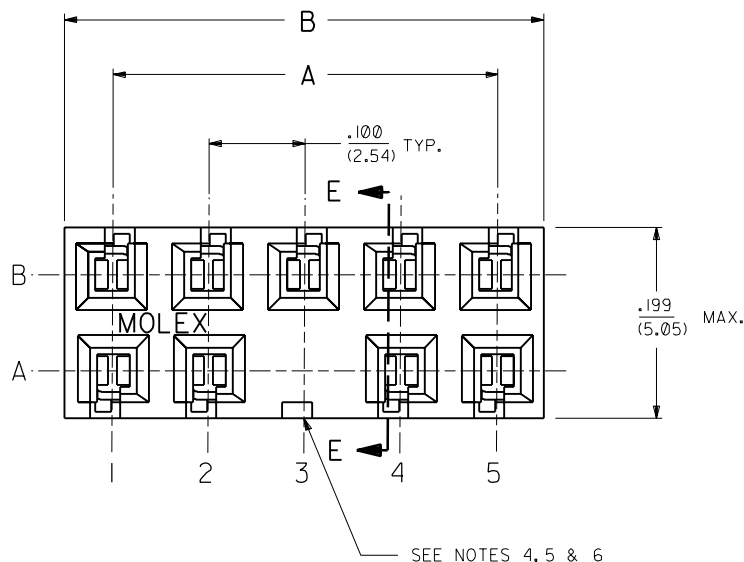


NOTES:

- 1 - HOUSING MATERIAL: GLASS FILLED POLYESTER, UL 94V-0.
COLOR: BLACK
- 2 - TERMINAL MATERIAL: PHOSPHOR BRONZE
- 3 - FOR CIRCUIT SIZES, VOID LOCATIONS AND POLARIZED POSITIONS SEE CHART.
- 4 - A VOIDED CIRCUIT IS REPRESENTED BY A REMOVED TERMINAL.
FOR ILLUSTRATION PURPOSES CIRCUIT "A-3" IS SHOWN VOIDED.
- 5 - A POLARIZED POSITION IS REPRESENTED BY A MOLDED OVER PIN WINDOW.
FOR ILLUSTRATION PURPOSES CIRCUIT "A-3" IS SHOWN POLARIZED.
- 6 - INDIVIDUAL CIRCUITS CAN BE VOIDED OR POLARIZED OR BOTH.
- 7 - REFER TO PRODUCT SPECIFICATION P.S.-70181.
- 8 - PACKAGING INFORMATION: (UNLESS OTHERWISE NOTED IN TABLES)
PACKAGED PER PACKAGING DRAWING PK-70873-0660.

PLATING CODES

- (164) TIN-LEAD (Sn-Pb) ALLOY OVER ENTIRE PIN; THICKNESS=(3.75 MICROMETER)/75 MICROINCH MINIMUM; NICKEL (Ni) UNDERPLATE OVER ENTIRE PIN.
- (571) SELECTIVE GOLD (Au) IN THE CONTACT AREA; THICKNESS=(0.37 MICROMETER)/15 MICROINCH MINIMUM; SELECTIVE TIN-LEAD (Sn-Pb) ALLOY IN THE PC TAIL AREA; THICKNESS=(1.88 MICROMETER)/75 MICROINCH MINIMUM; NICKEL (Ni) UNDERPLATE OVER ENTIRE PIN.
- (574) SELECTIVE GOLD (Au) IN THE CONTACT AREA; THICKNESS=(0.75 MICROMETER)/30 MICROINCH MINIMUM; SELECTIVE TIN-LEAD (Sn-Pb) ALLOY IN THE PC TAIL AREA; THICKNESS=(1.88 MICROMETER)/75 MICROINCH MINIMUM; NICKEL (Ni) UNDERPLATE OVER ENTIRE PIN.



RECOMMENDED P.C. BOARD
HOLE LAYOUT
SCALE = 4:1

G	CHANGE PACK SPEC. ECN# LDT2000-0503 DMORGAN 99/12/13
FI	ADDED PACKAGING PER ECN US0707 BARKER 97/08/11
F	CHANGED NOTES 3&4 PER ECN NO US0942 03-16-95 BJS
EI	ADD VERSION -0012 PER ECN NO US0908 03-08-95 BJS

2	FI	E	RELEASE TO CAD PER ECN UO 0967 PM 01/27/92
1	G		

DIMENSIONS SHOWN (METRIC) INCH UNLESS OTHERWISE SPECIFIED TOLERANCES ANGULAR ± 1/2°		▽ = 0 ▽ = 0 REVISE ONLY ON CAD SYSTEM																	
<table border="1"> <tr> <th>INCH</th> <th>METRIC</th> </tr> <tr> <td>3 PLACE ± .010</td> <td>---</td> </tr> <tr> <td>2 PLACE ± .014</td> <td>± 0.25</td> </tr> <tr> <td>1 PLACE ---</td> <td>± 0.35</td> </tr> </table>		INCH	METRIC	3 PLACE ± .010	---	2 PLACE ± .014	± 0.25	1 PLACE ---	± 0.35	<table border="1"> <tr> <td>TITLE</td> <td>CONNECTOR, VERT. MOUNT, DUAL ROW TOP ENTRY .100 X .100 PC TAIL GRID WITH VOIDS</td> </tr> <tr> <td>DATE</td> <td>01/27/92</td> </tr> <tr> <td>SHEET NO.</td> <td>1 OF 2</td> </tr> </table>		TITLE	CONNECTOR, VERT. MOUNT, DUAL ROW TOP ENTRY .100 X .100 PC TAIL GRID WITH VOIDS	DATE	01/27/92	SHEET NO.	1 OF 2		
INCH	METRIC																		
3 PLACE ± .010	---																		
2 PLACE ± .014	± 0.25																		
1 PLACE ---	± 0.35																		
TITLE	CONNECTOR, VERT. MOUNT, DUAL ROW TOP ENTRY .100 X .100 PC TAIL GRID WITH VOIDS																		
DATE	01/27/92																		
SHEET NO.	1 OF 2																		
DRAFT WHERE APPLICABLE MUST REMAIN WITHIN DIMENSIONS		<table border="1"> <tr> <td>MOLEX INCORPORATED</td> <td>U.S.A.</td> </tr> <tr> <td>L15LEJLL</td> <td>60532</td> </tr> </table>		MOLEX INCORPORATED	U.S.A.	L15LEJLL	60532												
MOLEX INCORPORATED	U.S.A.																		
L15LEJLL	60532																		
<table border="1"> <tr> <td>DRWG. BY</td> <td>PM</td> <td>CHK'D. BY</td> <td>PM</td> </tr> <tr> <td>APP'D. BY</td> <td>DJB</td> <td>SCALE</td> <td>10:1</td> </tr> </table>		DRWG. BY	PM	CHK'D. BY	PM	APP'D. BY	DJB	SCALE	10:1	<table border="1"> <tr> <td>PART NO.</td> <td>SDA-70863-0000</td> </tr> <tr> <td>DRWG. NO.</td> <td>SEE CHART</td> </tr> <tr> <td>FILE NAME</td> <td>S70863X1</td> </tr> <tr> <td>EXTN.</td> <td>DGN</td> </tr> </table>		PART NO.	SDA-70863-0000	DRWG. NO.	SEE CHART	FILE NAME	S70863X1	EXTN.	DGN
DRWG. BY	PM	CHK'D. BY	PM																
APP'D. BY	DJB	SCALE	10:1																
PART NO.	SDA-70863-0000																		
DRWG. NO.	SEE CHART																		
FILE NAME	S70863X1																		
EXTN.	DGN																		
THIS DRAWING CONTAINS INFORMATION THAT IS PROPRIETARY TO MOLEX INC. AND SHOULD NOT BE USED WITHOUT WRITTEN PERMISSION.		<table border="1"> <tr> <td>DIV.</td> <td>D</td> </tr> <tr> <td>SIZE</td> <td>C</td> </tr> </table>		DIV.	D	SIZE	C												
DIV.	D																		
SIZE	C																		