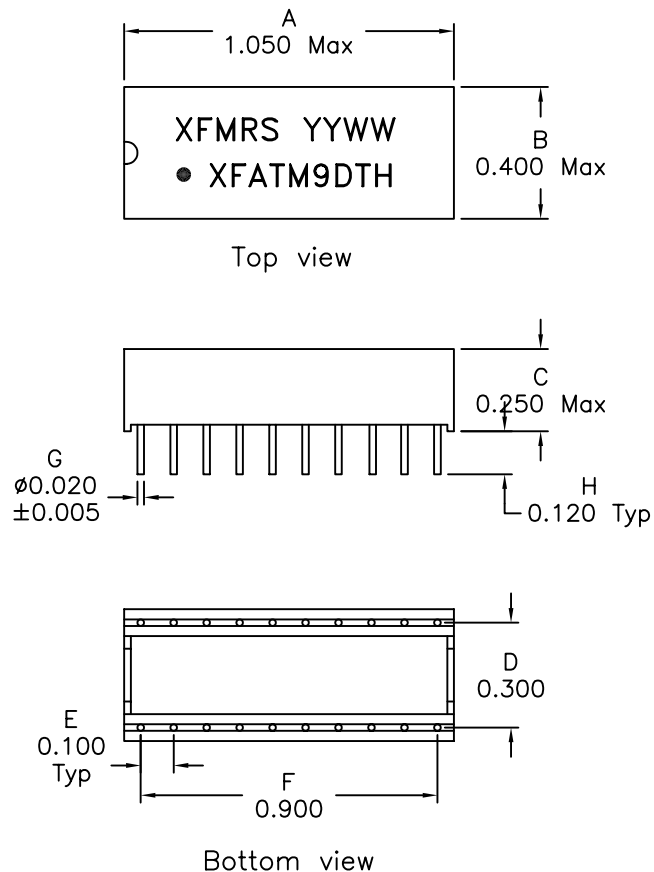


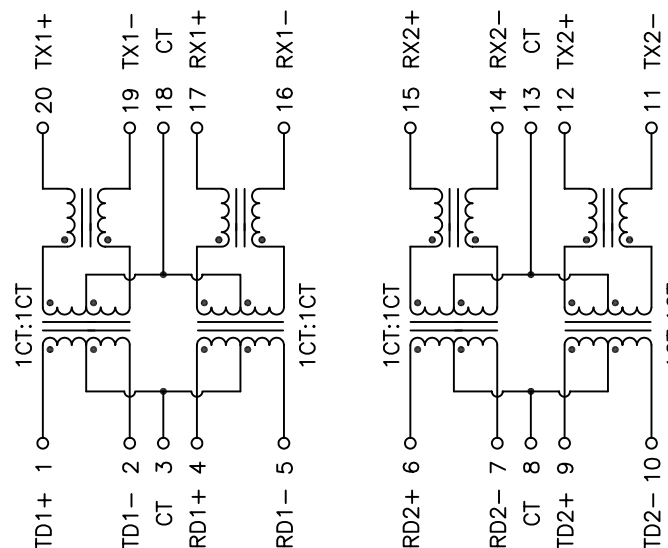
1. Mechanical Dimensions:



Notes:

- Solderability: Leads shall meet MIL-STD-202G, Method 208H for solderability.
- Flammability: UL94V-0
- ASTM oxygen index: > 28%
- Insulation System: Class F 155°C. UL file E151556
- Operating Temperature Range: All listed parameters are to be within tolerance from -40°C to +85°C
- Storage Temperature Range: -55°C to +125°C
- Aqueous wash compatible
- Electrical and mechanical specifications 100% tested
- RoHS Compliant Component

2. Schematic:



3. Electrical Specifications: @25°C

Isolation Voltage: 1500Vrms (Pri to Sec)

OCL: 350uH Min @100KHz 100mV, 8mAdc

Q: 5 Min @10KHz 50mV

Turn Ratio: 1CT : 1CT (TX) / 1CT : 1CT (RX)

Insertion Loss: -1.1dB Max @100KHz-100MHz

Return Loss: -16dB Min @1MHz-30MHz

-12dB Min @30MHz-60MHz

-10dB Min @60MHz-80MHz

Common Mode Rejection: -35dB Min @1MHz-100MHz

Crosstalk: -35dB Min @1MHz-100MHz

DOC. REV: A/1

XFMRs Inc. www.XFMRs.com		Title: VDSL TRANSFORMERS	
UNLESS OTHERWISE SPECIFIED TOLERANCES: .xxx ±0.010 Dimensions in Inch		P/N: XFATM9DTH	REV. A
		DWN. Feng	Jul-22-11
		CHK. YK Liao	Jul-22-11
SHT 1 OF 1		APP. BW	Jul-22-11

PROPRIETARY

Document is the property of XFMRs Group & is not allowed to be duplicated without authorization.