

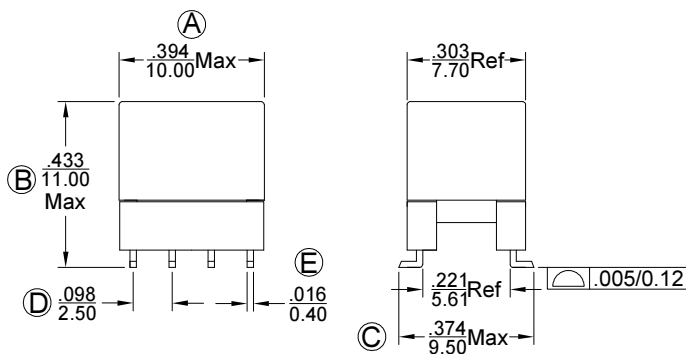
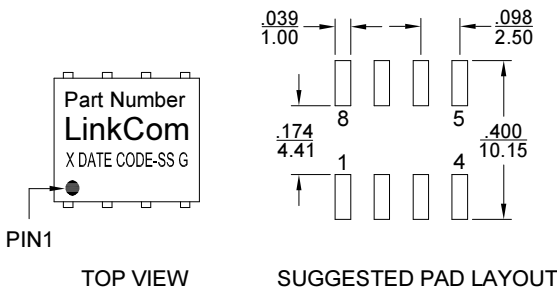
DC/DC Transformer

- RoHS Compliant
- Operating Temperature -40°C to +85°C

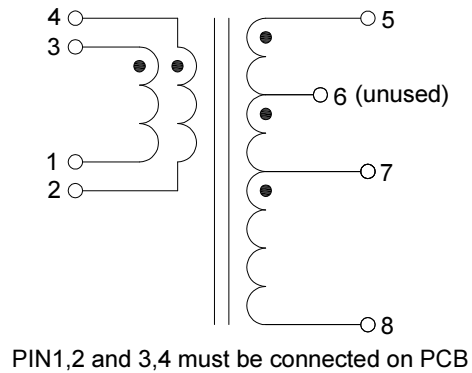
Electrical Specifications @25°C	
Inductance:	PIN 3-2 = 2.0uH±8%. @ 10KHz/0.1V/Series (PIN 3,4 & 2,1 shorted)
Leakage inductance:	PIN3-2=100nH Max.@ 100KHz/0.1V (PIN 8,7,5 & 3,4 & 2,1 shorted)
D.C.R.:	PIN 3-2 = 25 mohm Max.(PIN 3,4 & 2,1 shorted)
	PIN 5-8 = 1000 mohm Max.
	PIN 7-8 = 500 mohm Max.
Turn Ratio:	PIN 5-8 : PIN 3-2 = 10.0±2% : 1(PIN 3,4 & 2,1 shorted)
	PIN 7-8 : PIN 3-2 = 3.5±2% : 1(PIN 3,4 & 2,1 shorted)
Hi-POT :	PRI. – SEC. = 625 VAC/1Second/0.5mA

Dimensions

(Units: $\frac{\text{Inches}}{\text{mm}}$, Unless otherwise specified, all tolerances are $\pm\frac{.010}{0.25}$)



Schematic



Mark

1. Part Number----LDT0898
2. X----PRODUCT LINE or BLANK
3. DATE CODE----YYWW
4. SS----50 or BLANK
5. G----RoHS

Package info

LDT0898 -50R—Tape reel