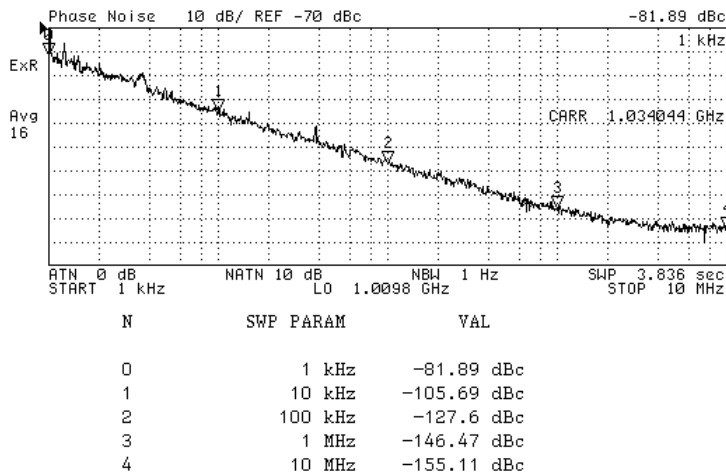


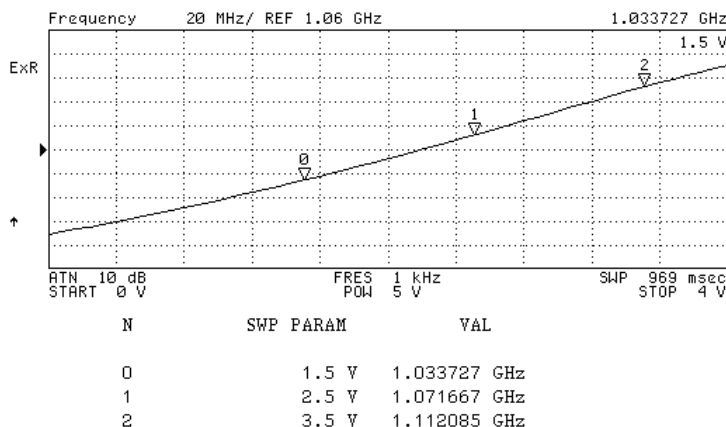


| PERFORMANCE SPECIFICATION | MIN | TYP | MAX | UNITS |
|--|------|------|------|--------------|
| Lower Frequency: | | | 1083 | MHz |
| Upper Frequency: | 1095 | | | MHz |
| Tuning Voltage: | 1.5 | | 3.5 | VDC |
| Supply Voltage: | 4.75 | 5.0 | 5.25 | VDC |
| Output Power: | +4.0 | +5.0 | +6.0 | dBm |
| Supply Current: | | | 15 | mA |
| Harmonic Suppression (2 nd Harmonic): | | -10 | | dBc |
| Pushing: | | 0.5 | | MHz/V |
| Pulling, all Phases: | | 0.5 | | MHz pk-pk |
| Tuning Sensitivity: | | 30 | | MHz/V |
| Phase Noise @ 10kHz offset: | | -105 | | dBc/Hz |
| Phase Noise @ 100kHz offset: | | -130 | | dBc/Hz |
| Load Impedance: | | 50 | | Ω |
| Input Capacitance: | | | 30 | pF |
| Operating Temperature Range: | -25 | | +85 | $^{\circ}$ C |
| Storage Temperature Range: | -45 | | +90 | $^{\circ}$ C |

Phase Noise
(1 Hz BW, Typical)

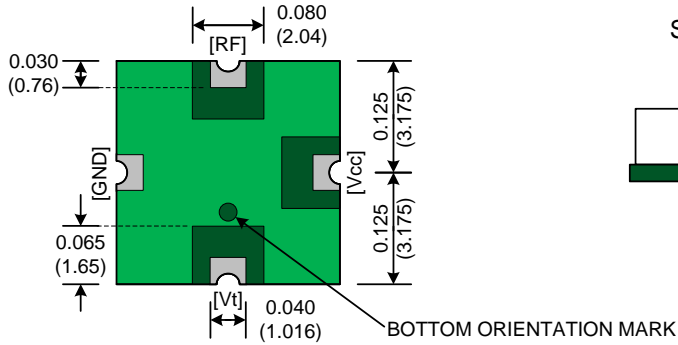


Tuning Curve
(Typical)





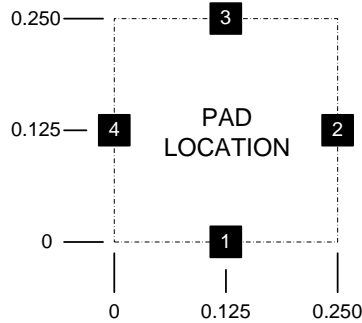
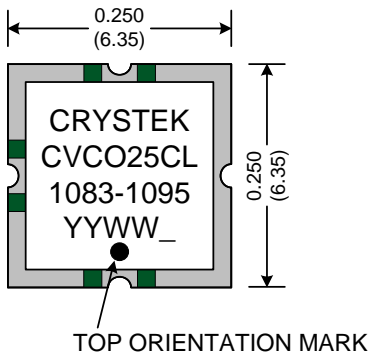
BOTTOM VIEW



SIDE VIEW



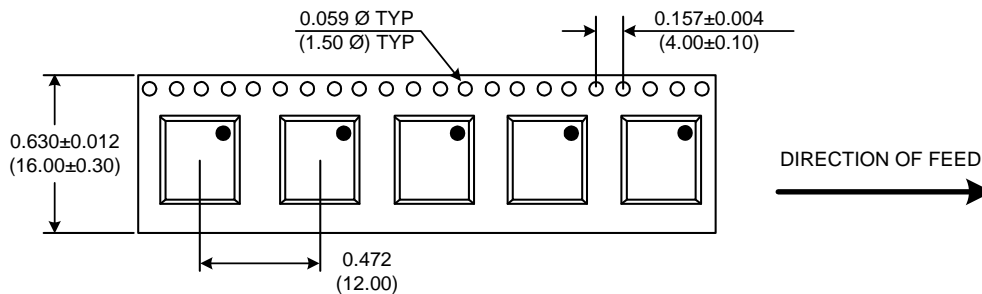
TOP VIEW



| Pad | Connection |
|-----|------------|
| 1 | Vt |
| 2 | GROUND |
| 3 | RF-OUTPUT |
| 4 | Vcc |

- Unless otherwise specified, Dimensions are in: $\frac{IN}{(mm)}$
- Pad Location Dimensions are in: Inches

TAPE AND REEL



Drawing not to scale

Product Control:

| | | | |
|----------------------|--------------------|---------------|-----------|
| Crystek Part Number: | CVCO25CL-1083-1095 | Release Date: | 21-Feb-08 |
| Revision Level: | B | Responsible: | C. Vales |

Specification is subject to change without notice

