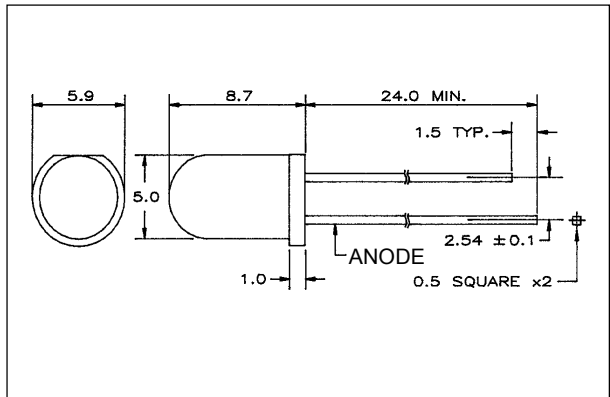


Ultra Bright T-1¾ LED Lamps

FEATURES

- Excellent on/off contrasts
- Low drive current
- High intensity red light emission
- Choice of lens color

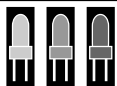


MAXIMUM RATINGS (Ta = 25°C)

PART NO.	FORWARD CURRENT (I _F) (mA)	REVERSE VOLTAGE (V _R) (V)	POWER DISSIPATION (P _D) (mW)	OPERATING TEMPERATURE (T _{opr}) (°C)	STORAGE TEMPERATURE (T _{stg}) (°C)
MT7118-UR	30	4.0	70	-25~+85	-25~+100
MT7218-UR	30	4.0	70	-25~+85	-25~+100
MT7318-UR	30	4.0	70	-25~+85	-25~+100
MT7418-UR	30	4.0	70	-25~+85	-25~+100
MT7118A-UR	30	4.0	70	-25~+85	-25~+100
MT7218A-UR	30	4.0	70	-25~+85	-25~+100
MT7318A-UR	30	4.0	70	-25~+85	-25~+100
MT7418A-UR	30	4.0	70	-25~+85	-25~+100

OPTO-ELECTRICAL CHARACTERISTICS (Ta = 25°C)

PART NO.	MATERIAL	LENS COLOR	VIEWING ANGLE typ.	LUMINOUS INTENSITY (mcd)			FORWARD VOLTAGE (V)			REVERSE CURRENT		PEAK WAVE LENGTH (nm)
				min.	typ.	@mA	typ.	max.	@mA	µA	Vr	
MT7118-UR	GaAlAs/GaAs	Red Diff	36°	180	300	20	1.9	2.5	20	100	4	660
MT7218-UR	GaAlAs/GaAs	White Diff	36°	180	300	20	1.9	2.5	20	100	4	660
MT7318-UR	GaAlAs/GaAs	Water Clear	12°	600	1000	20	1.9	2.5	20	100	4	660
MT7418-UR	GaAlAs/GaAs	Red Clear	12°	600	1000	20	1.9	2.5	20	100	4	660
MT7118A-UR	GaAlAs	Red Diff	36°	360	600	20	1.9	2.5	20	100	4	660
MT7218A-UR	GaAlAs	White Diff	36°	360	600	20	1.9	2.5	20	100	4	660
MT7318A-UR	GaAlAs	Water Clear	12°	1200	2000	20	1.9	2.5	20	100	4	660
MT7418A-UR	GaAlAs	Red Clear	12°	1200	2000	20	1.9	2.5	20	100	4	660



marktech
optoelectronics

120 Broadway • Menands, New York 12204

Toll Free: (800) 98-4LEDS • Fax: (518) 432-7454