

# SPECIFICATIONS

| PARAMETERS                    | VALUES            | UNITS |
|-------------------------------|-------------------|-------|
| RATED VOLTAGE                 | 24                | Vdc   |
| OPERATING VOLTAGE RANGE       | 9 ~ 28            | Vdc   |
| TONE OUTPUT                   | SEE 32 TONE CHART | -     |
| CURRENT CONSUMPTION (NOMINAL) | SEE 32 TONE CHART | mA    |
| INGRESS PROTECTION            | IP65              | -     |
| CASE MATERIAL/COLOR           | ABS/RED           | -     |
| TERMINAL                      | LEAD WIRE         | -     |
| OPERATING TEMPERATURE         | -25 ~ +70         | °C    |
| WEIGHT                        | 85                | grams |

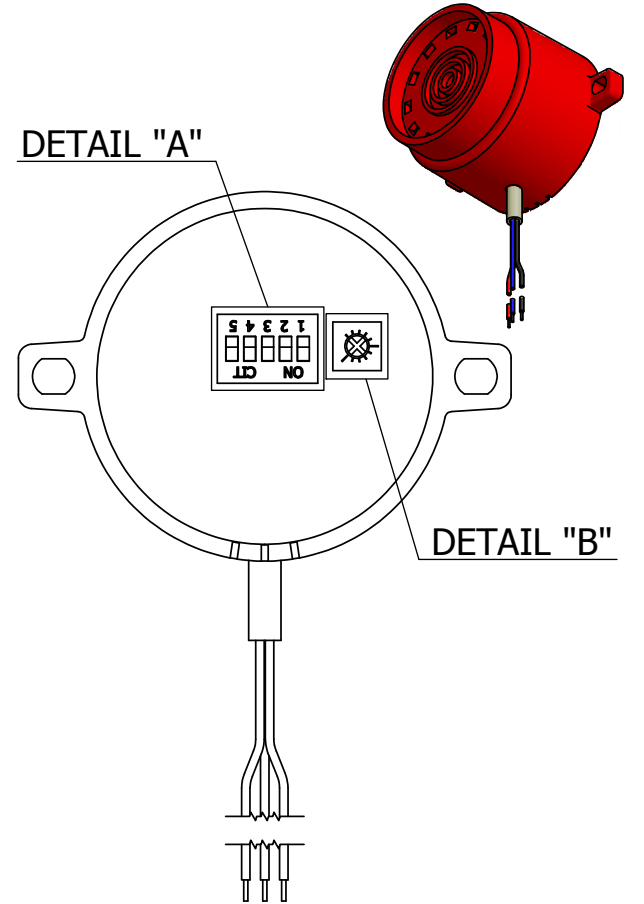
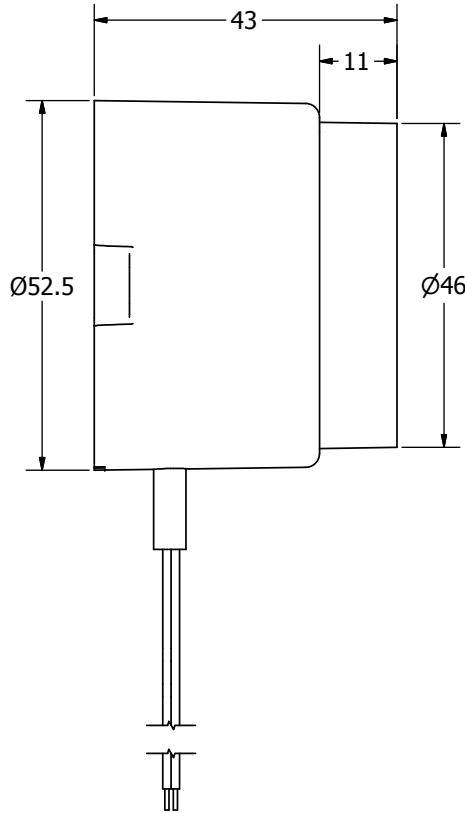
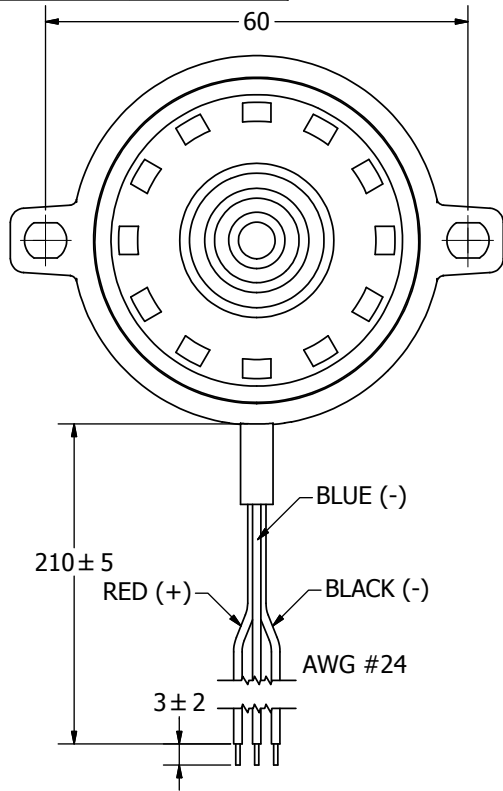
THIS DOCUMENT CONTAINS DATA PROPRIETARY TO PROJECTS UNLIMITED, INC. ANY USE OR REPRODUCTION, IN ANY FORM, WITHOUT PRIOR WRITTEN PERMISSION OF PROJECTS UNLIMITED, INC. IS PROHIBITED.  
©2003, Projects Unlimited Inc.

# REVISION HISTORY

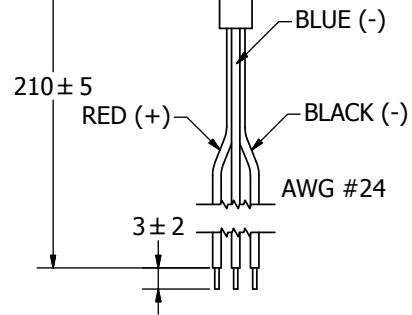
| LTR | DESCRIPTION                              | DATE       | APPROVED |
|-----|--|------------|----------|
| -   | RELEASED FROM ENGINEERING                | 12/15/2005 |          |
| A   | ADDED VOLUME CONTROL & TONE SWITCHES     | 12/19/2006 | R.W.     |
| B   | REVISED LEAD WIRE DIMENSIONS             | 12/20/2006 | R.W.     |
| C   | ADDED RoHS NOTE                          | 5/21/2007  | R.W.     |
| D   | REVISED DETAIL "A" DIL SWITCH            | 3/11/2009  | B.R.     |
| E   | REVISED TO INVENTOR 3-D DRAWING TEMPLATE | 6/11/2010  | B.R.     |

**DETAIL "A"**

**DETAIL "B"**  
VOLUME CONTROL



- NOTES:**
1. ALL DIMENSIONS ARE IN MILLIMETERS.
  2. SPECIFICATIONS SUBJECT TO CHANGE OR WITHDRAWAL WITHOUT NOTICE.
  3. THIS PART IS RoHS 2002/95/EC COMPLIANT.



|  |      |             |            |            |            |             |                         |            |
|--|------|-------------|------------|------------|------------|-------------|-------------------------|------------|
| UNLESS OTHERWISE SPECIFIED:<br>DIMENSIONS ARE IN MILLIMETERS,<br>TOLERANCES ARE ±0.5 AND ANGLES ARE ±3°. | SIZE | Designed by | Date       | Checked by | Date       | Approved by | Date                    | Drawn Date |
|  | A3   | J.A.F.      | 12/15/2005 | E.P.       | 12/15/2005 | B.R.        | 12/15/2005              | 6/11/2010  |
|  |      | AW-10FR.idw |            |            |            |             | <b>AW-10FR</b><br>Siren |            |