

HMD904D 2.4GHz LPF for Wireless LAN & Bluetooth

Applications

2.4GHz LPF for Wireless LAN & Bluetooth

Specifications

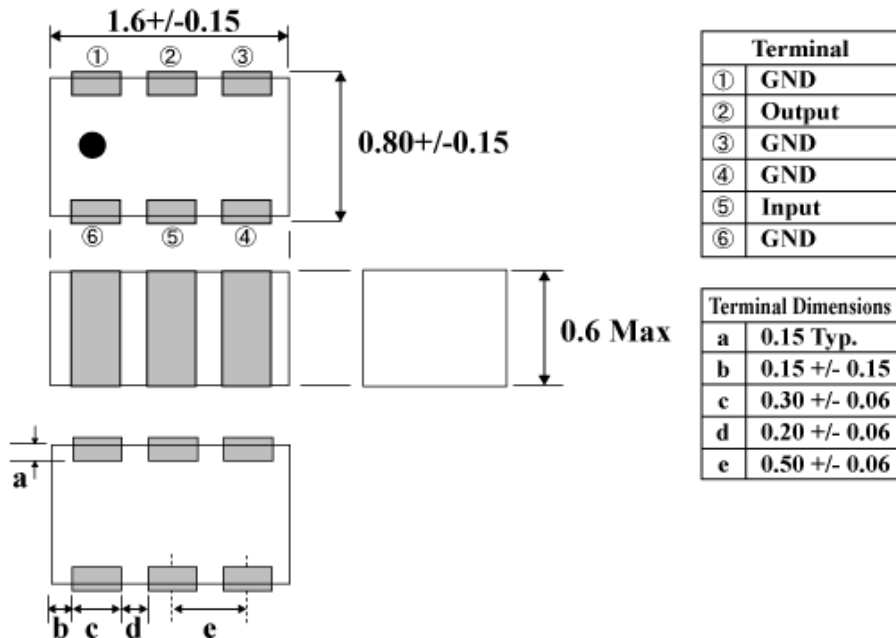
HMD904D	
Zin/Zout	50 ohm Nominal
Fc	2450MHz Nominal
Pass Band	2400-2500MHz
Insertion Loss	0.35 dB max at 25 Deg.C
	0.45 dB max at -40 up to 85 Deg.C
Ripple	0.3 dB max
V.S.W.R	1.5 max (2400-2500MHz)
Attenuation	30 dB min (4800-5000MHz)
	30 dB min at (7200-7500MHz)

Order Unit

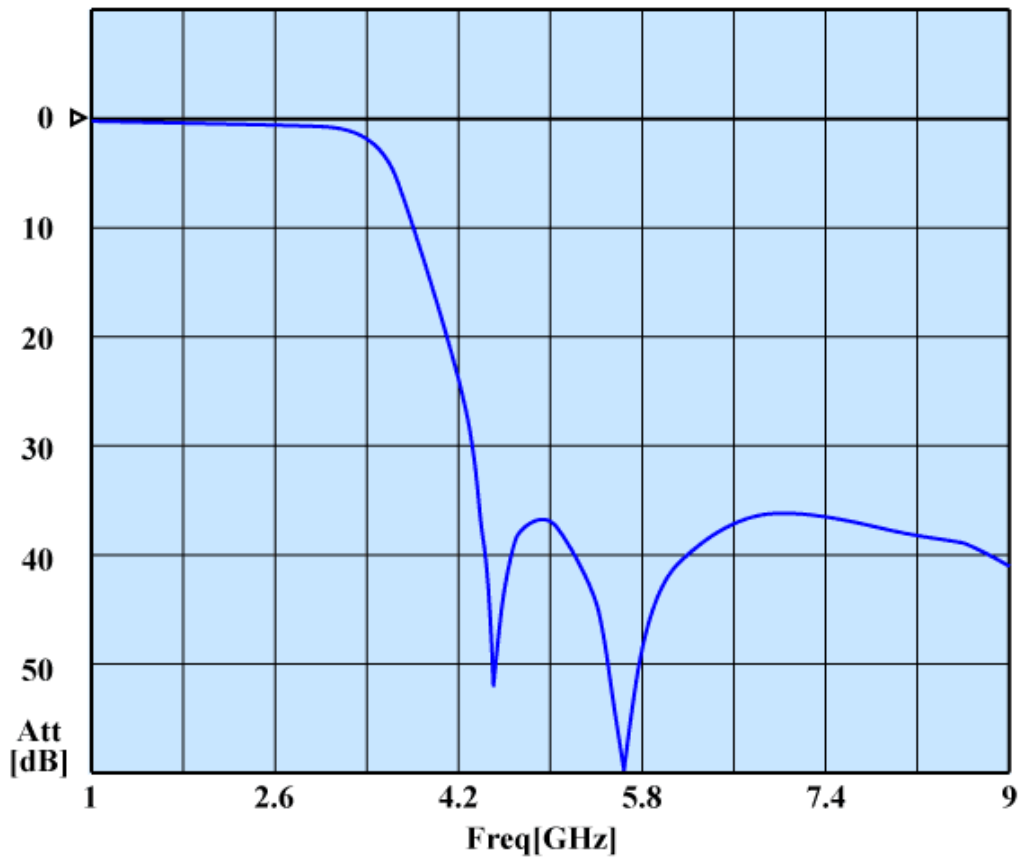
3000pcs/Reel

Dimensions

Dimension(Unit : mm)

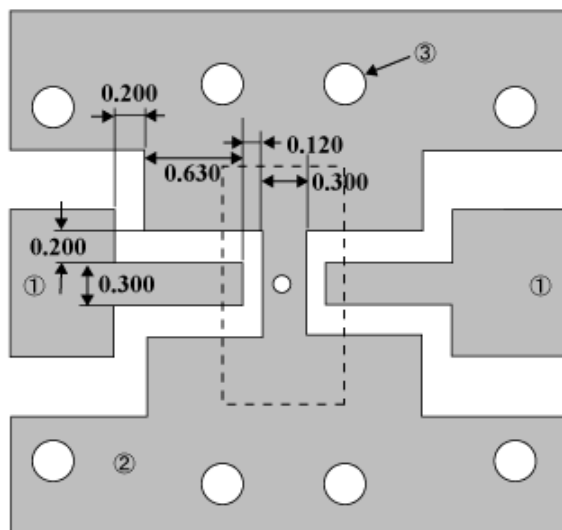


Characteristics (Typical) 1



Land Pattern

Land Pattern(Unit:mm)



- ① 50 ohm Impedance Line
- ② Ground Plane
- ③ Through Hole

Resist Pattern

Resist Pattern(Unit:mm)

