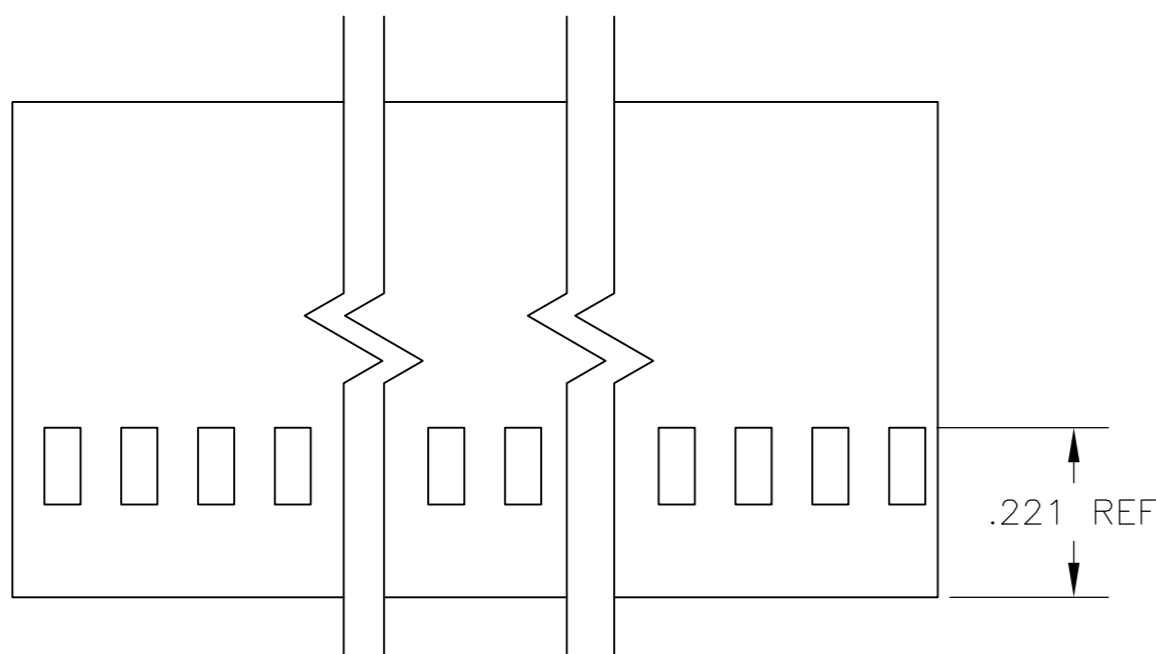
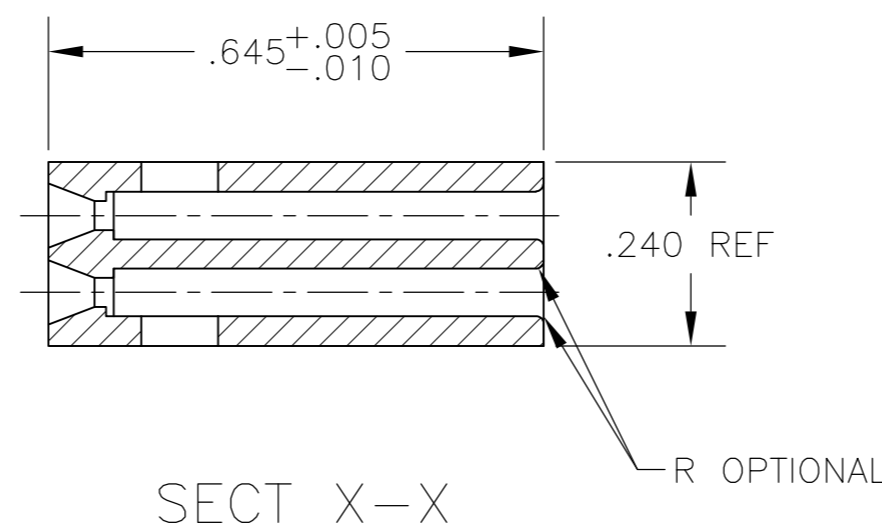
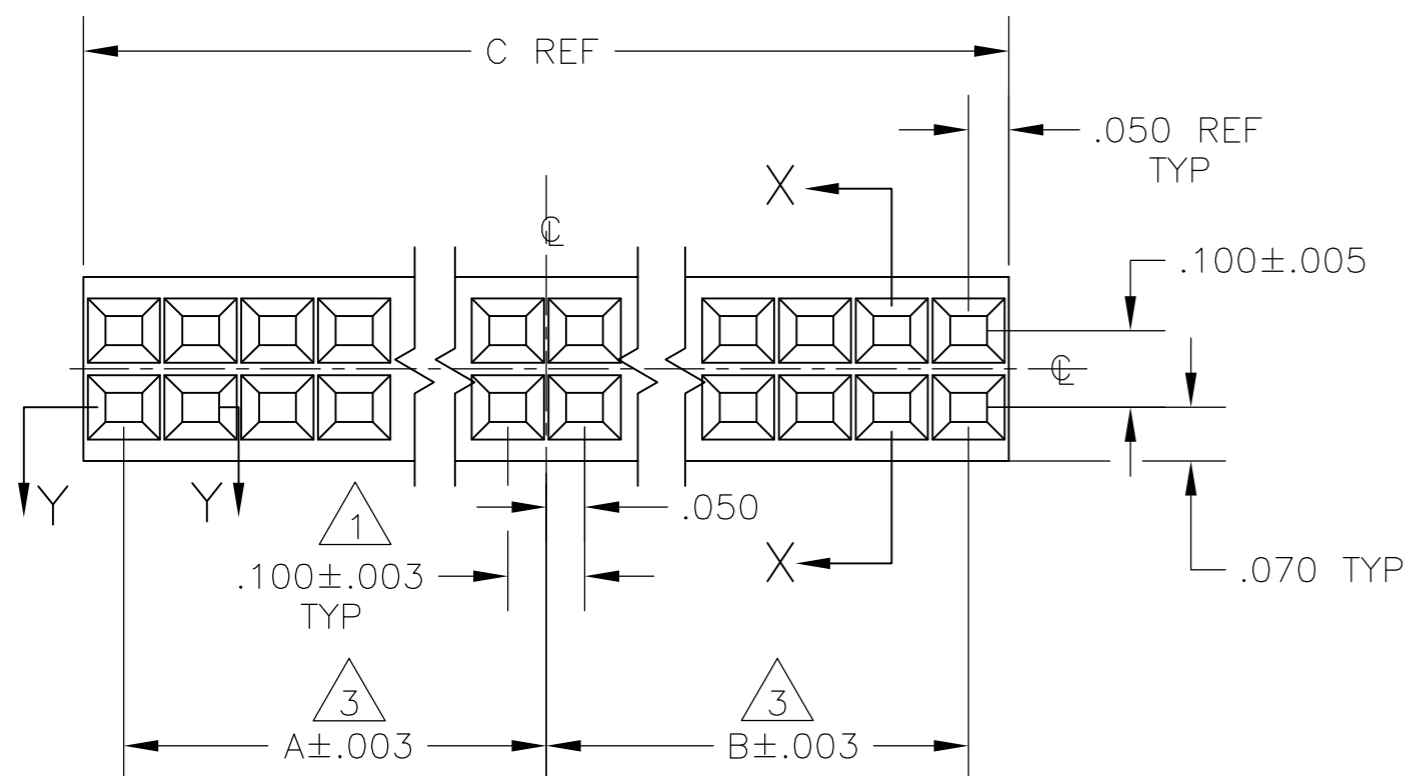


THIS DRAWING IS UNPUBLISHED. RELEASED FOR PUBLICATION  
 © COPYRIGHT BY TYCO ELECTRONICS CORPORATION. ALL RIGHTS RESERVED.

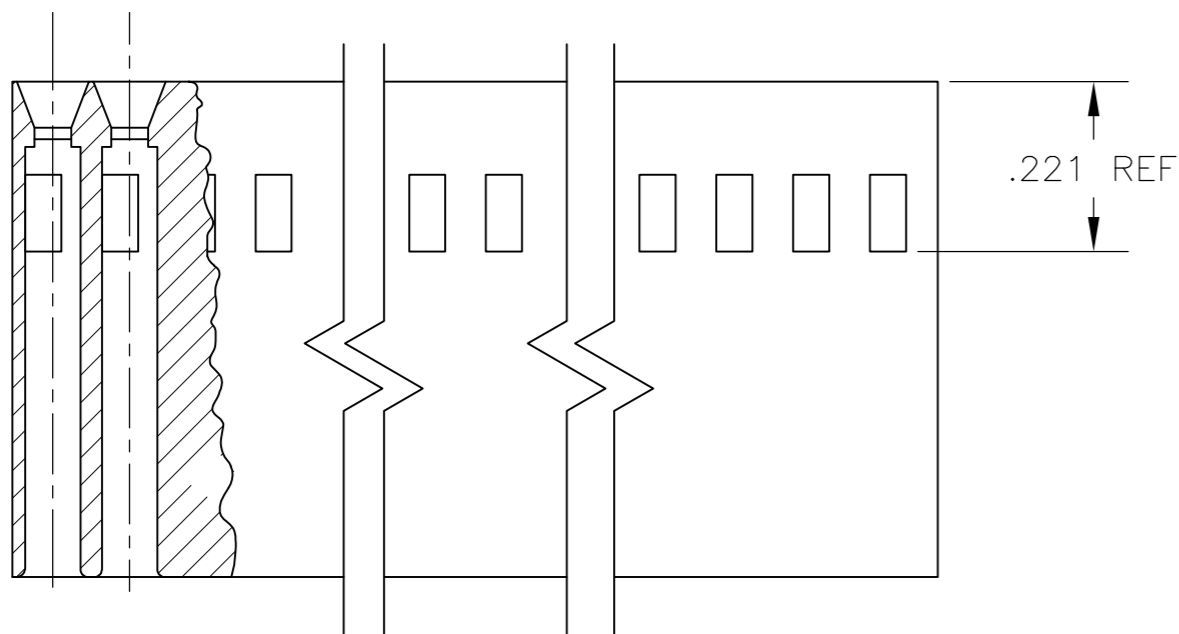
LOC	DIST	REVISIONS			
P	LTR	DESCRIPTION	DATE	DWN	APVD
AD	00	P1	REVISED PER ECO-09-020932	21AUG09	KK AEG



- 1 CAVITY LOCATION DIMENSIONS INCREASE IN INCREMENTS OF .100 TOLERANCE NON-CUMULATIVE
- 2 USE EXTRACTION TOOL 91052 TO REMOVE RECEPTACLE CONTACTS.
- 3 TOLERANCE ON THE "A" & "B" DIMENSIONS FOR 2-86177-2 ONLY IS +.003  
-.004
- 4 OBSOLETE PARTS: OBSOLETE CIS STREAMLINING PER D.RENAUD/D.SINISI



	C	B	A	NO. OF POS.	PART NUMBER
4	.200	-	.100	4	2-86177-5
OBSOLETE	3.500	1.700	1.700	70	2-86177-4
OBSOLETE	2.400	1.100	1.200	48	2-86177-3
4 3	4.600	2.200	2.300	92	2-86177-2
OBSOLETE	2.500	1.200	1.200	50	2-86177-1
4	.400	.100	.200	8	2-86177-0
OBSOLETE	2.600	1.200	1.300	52	1-86177-9
OBSOLETE	.300	.100	.100	6	1-86177-8
OBSOLETE	2.200	1.000	1.100	44	1-86177-7
OBSOLETE	.900	.400	.400	18	1-86177-6
OBSOLETE	.800	.300	.400	16	1-86177-5
OBSOLETE	.700	.300	.300	14	1-86177-4
OBSOLETE	.600	.200	.300	12	1-86177-3
OBSOLETE	.500	.200	.200	10	1-86177-2
OBSOLETE	2.000	.900	1.000	40	1-86177-1
4	1.900	.900	.900	38	1-86177-0
OBSOLETE	1.800	.800	.900	36	86177-9
OBSOLETE	1.700	.800	.800	34	86177-8
OBSOLETE	1.600	.700	.800	32	86177-7
OBSOLETE	1.500	.700	.700	30	86177-6
OBSOLETE	1.400	.600	.700	28	86177-5
OBSOLETE	1.300	.600	.600	26	86177-4
OBSOLETE	1.200	.500	.600	24	86177-3
4	1.100	.500	.500	22	86177-2
OBSOLETE	1.000	.400	.500	20	86177-1



SECT Y-Y

SECT X-X

THIS DRAWING IS A CONTROLLED DOCUMENT.

DWN BOB BOLES BG 07SEP89  
 CHK J. GESFORD 23OCT89  
 APVD J. GESFORD 23OCT89

Tyco Electronics Corporation  
 Harrisburg, PA 17105-3608

NAME MOD IV CRIMP SNAP-IN CONNECTOR, DOUBLE ROW, .100 CENTERS

SIZE A2 CAGE CODE 00779 DRAWING NO C-86177 RESTRICTED TO -

MATERIAL GLASS FILLED NYLON COLOR:BLK PER ASTM D4066 FINISH COLOR-BLACK WEIGHT - SCALE 4:1 SHEET 1 of 1 REV P1

CUSTOMER DRAWING