

**PLEASE CHECK WWW.MOLEX.COM FOR LATEST PART INFORMATION**

**Part Number:** [0191180087](#)  
**Status:** **Active**  
**Description:** Krimptite™ Flanged Spade Tongue Terminal for 10-12 AWG Wire, Stud Size 8, Length 19.56mm (.770"), Mylar Tape Carrier

**Documents:**

[Drawing \(PDF\)](#) [RoHS Certificate of Compliance \(PDF\)](#)

**Agency Certification**

CSA LR18689  
 UL E32244

**General**

Product Family Ring and Spade Terminals  
 Series [19118](#)  
 Crimp Quality Equipment Yes  
 Mil-Spec N/A  
 Product Name Krimptite™  
 Type Spade

**Physical**

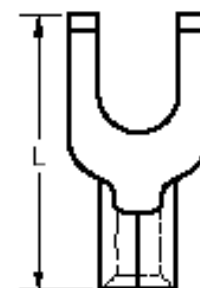
Barrel Type Closed  
 Insulation None  
 Material - Plating Mating Tin  
 Packaging Type Adhesive Tape on Reel  
 Plating min: Mating (µin) 160  
 Plating min: Mating (µm) 4  
 Plating min: Termination (µin) 160  
 Plating min: Termination (µm) 4  
 Stud Size 8 (M4)  
 Wire Size AWG 10, 12  
 Wire Size mm² 4.00 - 6.00

**Material Info**

Old Part Number C-117-08T

**Reference - Drawing Numbers**

Sales Drawing SD-19118-002



Series  
 image - Reference only

**EU RoHS**

**ELV and RoHS Compliant**  
**REACH SVHC Contains SVHC: No**  
**Halogen-Free Status**  
**Not Reviewed**

**China RoHS**



**Need more information on product environmental compliance?**

Email [productcompliance@molex.com](mailto:productcompliance@molex.com)  
 For a multiple part number RoHS Certificate of Compliance, [click here](#)

Please visit the [Contact Us](#) section for any non-product compliance questions.

**Search Parts in this Series**

[19118Series](#)

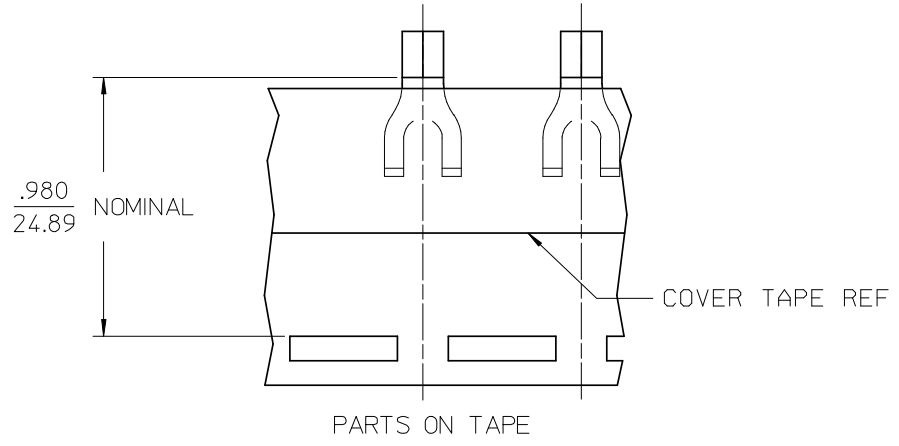
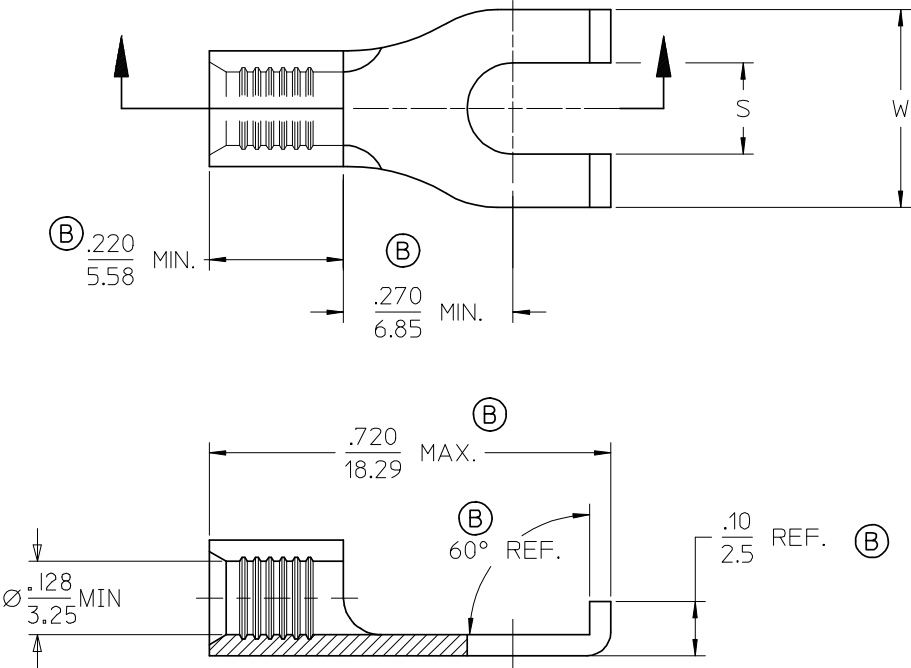
**Application Tooling | [FAQ](#)**

*Tooling specifications and manuals are found by selecting the products below. Crimp Height Specifications are then contained in the Application Tooling Specification document.*

**Global**

| Description                                                               | Product #                  |
|---------------------------------------------------------------------------|----------------------------|
| ATP Perishable Tool Kit, Used in ATP Presses that Process Product on Tape | <a href="#">0190270088</a> |
| Mini-Mac™ Applicator                                                      | <a href="#">0638851000</a> |

| LOOSE PIECE     |                    | TAPE MOUNTED    |                    |           |              |               |
|-----------------|--------------------|-----------------|--------------------|-----------|--------------|---------------|
| MATERIAL NUMBER | ENGINEERING NUMBER | MATERIAL NUMBER | ENGINEERING NUMBER | STUD SIZE | S ±.005      | W MAX         |
| 191180084       | C-117-06           | 191180130       | C-117-06T          | 6         | .146/3.71    | .345/8.76 (B) |
| 191180086       | C-117-08           | 191180087       | C-117-08T          | 8         | .173/4.39    | .385/9.78     |
| 191180088       | C-117-10           | 191180090       | C-1167-10T         | 10        | .209/5.3 (B) | .385/9.78     |



SALES DRAWING

- NOTES:  
 1. MATERIAL: COPPER .040/1.02 THICK  
 2. PLATING: ELECTRO-TIN  
 (B) 3. PART IS RoHS COMPLIANT

|                                                                                                                                   |                               |                                       |                                                      |                          |                                                                                                                               |                     |                                                       |                        |  |
|-----------------------------------------------------------------------------------------------------------------------------------|-------------------------------|---------------------------------------|------------------------------------------------------|--------------------------|-------------------------------------------------------------------------------------------------------------------------------|---------------------|-------------------------------------------------------|------------------------|--|
| ADD NOTE 3. REV. DIMS<br>EC NO: ETC2008-0012<br>DRWN: RSTONE 2007/11/26<br>CHKD: JMACNEIL 2007/11/26<br>APPR: JMACNEIL 2007/12/05 | QUALITY SYMBOLS<br>▽=0<br>∇=0 | GENERAL TOLERANCES (UNLESS SPECIFIED) |                                                      | DIMENSION STYLE<br>IN/MM |                                                                                                                               | SCALE<br>4:1        | DESIGN UNITS<br>INCH                                  | THIRD ANGLE PROJECTION |  |
|                                                                                                                                   |                               |                                       | mm                                                   | INCH                     | DRAWN BY<br>BENDERLE                                                                                                          | DATE<br>2005/02/07  | TITLE<br>FLANGED SPADE TERMINAL, KRIMPTITE, 12-10 AWG |                        |  |
|                                                                                                                                   |                               | 4 PLACES                              | ±---                                                 | ±---                     | CHECKED BY<br>R DEROSS                                                                                                        | DATE<br>2005/02/07  | MOLEX INCORPORATED                                    |                        |  |
|                                                                                                                                   |                               | 3 PLACES                              | ±---                                                 | ±.005                    | APPROVED BY<br>R DEROSS                                                                                                       | DATE<br>2005/02/07  |                                                       |                        |  |
| 2 PLACES                                                                                                                          | ±0.13                         | ±.01                                  | MATERIAL NO.<br>SEE CHART                            |                          | DOCUMENT NO.<br>SD-19118-002                                                                                                  | SHEET NO.<br>1 OF 1 |                                                       |                        |  |
| 1 PLACE                                                                                                                           | ±0.25                         | ±---                                  | DRAFT WHERE APPLICABLE MUST REMAIN WITHIN DIMENSIONS |                          | THIS DRAWING CONTAINS INFORMATION THAT IS PROPRIETARY TO MOLEX INCORPORATED AND SHOULD NOT BE USED WITHOUT WRITTEN PERMISSION |                     |                                                       |                        |  |