

PLEASE CHECK WWW.MOLEX.COM FOR LATEST PART INFORMATION

Part Number: [0039036040](#)
Status: **Active**
Overview: [standard_093](#)
Description: 2.36mm (.093") Diameter Standard .093" Pin and Socket Plug Housing With Positive Latch, UL 94V-2, Panel Mount, 4 Circuits

Documents:

[3D Model](#) [Product Specification PS-3191-001 \(PDF\)](#)
[Drawing \(PDF\)](#) [RoHS Certificate of Compliance \(PDF\)](#)

Agency Certification

CSA LR19980
TUV R72081037
UL E29179

General

Product Family Crimp Housings
Series [3191](#)
Comments Polarized to Mating Part
Overview [standard_093](#)
Product Name Standard .093"

Physical

Breakaway No
Circuits (maximum) 4
Circuits Detail 2x2
Color - Resin Natural
Flammability 94V-2
Gender Dual
Glow-Wire Compliant No
Keying to Mating Part None
Lock to Mating Part Yes
Material - Resin Nylon
Number of Rows 1
Packaging Type Bag
Panel Mount Yes
Pitch - Mating Interface (in) 0.264 In
Pitch - Mating Interface (mm) 6.71 mm
Polarized to Mating Part Yes
Stackable No
Temperature Range - Operating -40°C to +105°C

Electrical

Current - Maximum per Contact 9A

Material Info

Old Part Number 3191-04P

Reference - Drawing Numbers

Packaging Specification SPK-3191-001
Product Specification PS-3191-001
Sales Drawing SD-3191-005

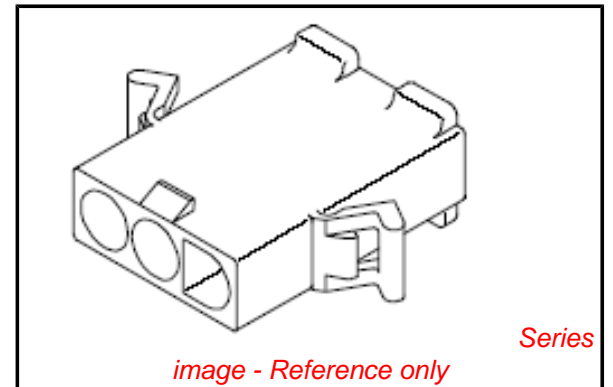


image - Reference only

EU RoHS

ELV and RoHS Compliant

REACH SVHC

Contains SVHC: No

Halogen-Free

Status

Halogen-Free

Need more information on product environmental compliance?

Email productcompliance@molex.com
For a multiple part number RoHS Certificate of Compliance, [click here](#)

Please visit the [Contact Us](#) section for any non-product compliance questions.

China RoHS



Search Parts in this Series

[3191Series](#)

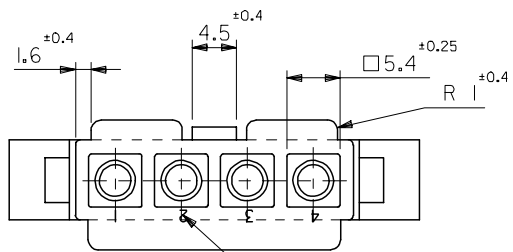
Mates With

[3191](#) Pin and Socket Rectacle, [5219](#) Vertical PCB Header

Use With

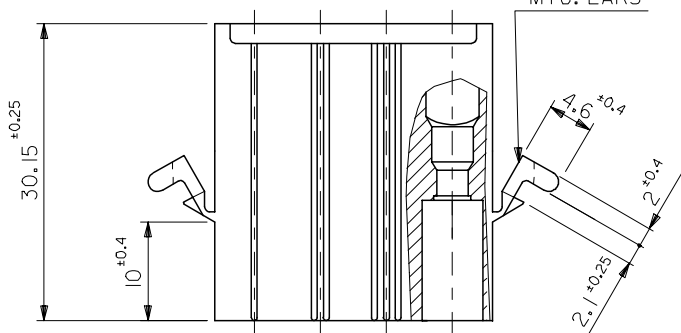
[1189](#) Crimp Terminals, [1190](#) Crimp Terminals, [1380](#) Male Crimp Terminals, [1381](#) Female Crimp Terminals, [1433](#) Crimp Terminals, [1434](#) Male Crimp Terminals, [2605](#) , [2606](#) , [1973](#) , [2151](#) , [2273](#) , [2870](#) , [2871](#) , [4272](#) , Lin

10 9 8 7 6 5 4 3 2 1



サーキット番号
CIRCUIT NO.

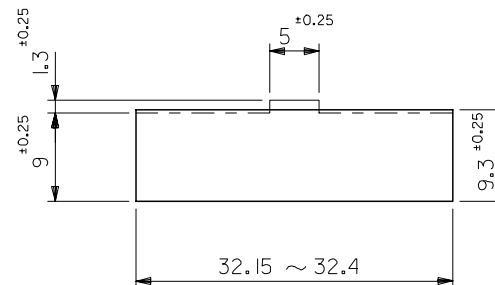
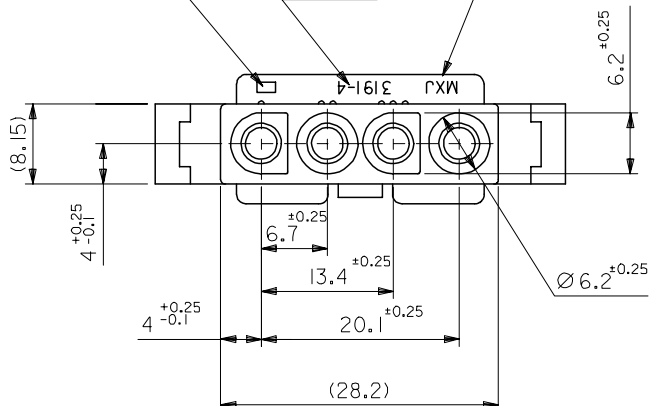
パネル取付耳
MTG. EARS



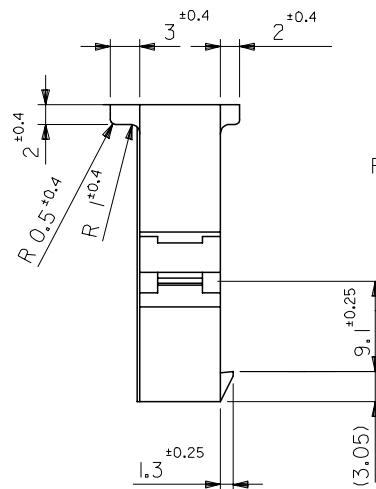
キャビティー番号
CAVITY NO.

トレードマーク
TRADE MARK

製品番号
ENG. NO.



パネル取付穴推奨寸法 (厚さ2.0最大)
ハウジングの装着はパネル穴打抜き方向より行うこと
RECOMMENDED PANEL HOLE DIMENSION (THK. 2.0 MAX.)
ATTACH THE HOUSING FROM THE DIRECTION OF
PANEL HOLE PUNCHED OUT.



注記
NOTE
() 内寸法は参考値
DIMENSIONS IN () ARE REFERENCE

39-03-6041	3191-04P-201	NYLON66	94V-0
39-03-6040	3191-04P	NYLON66	94V-2
EDP. NO.	ENG. NO.	MATERIAL	UL

REVISED EC NO: J2007-2489 DRWRT: SUROKA 2007/03/06 CHKD: THARUYAMA 2007/03/06 APPR: NUKITA 2007/03/06	GENERAL TOLERANCES (UNLESS SPECIFIED)		DIMENSION STYLE MM ONLY		SCALE 2:1	DESIGN UNITS METRIC	THIRD ANGLE PROJECTION
	10 UNDER	± ---	DRAWN BY H. IJIMA	DATE '96/06/24	TITLE 4 CKT. PLUG HS'G. (.093 DIA. TERMINAL)		
	10 OVER 30 UNDER	± ---	CHECKED BY M. FUKUSHIMA	DATE '96/06/24			
	30 OVER	± ---	APPROVED BY M. ENOMOTO	DATE '96/06/24	MOLEX INCORPORATED DOCUMENT NO. SD-3191-005 SHEET NO. 1 OF 1		
	ANGULAR	± --- °	MATERIAL NO.	SEE CHART			
DRAFT WHERE APPLICABLE MUST REMAIN WITHIN DIMENSIONS		SIZE A3		THIS DRAWING CONTAINS INFORMATION THAT IS PROPRIETARY TO MOLEX INCORPORATED AND SHOULD NOT BE USED WITHOUT WRITTEN PERMISSION			