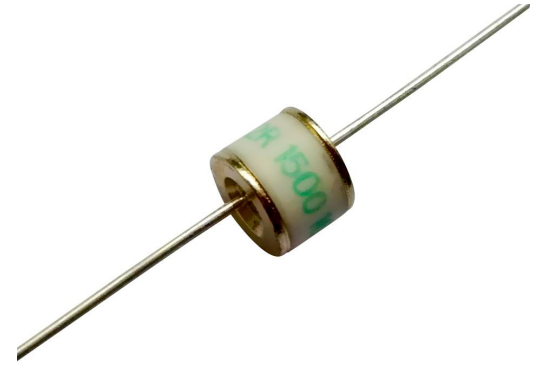
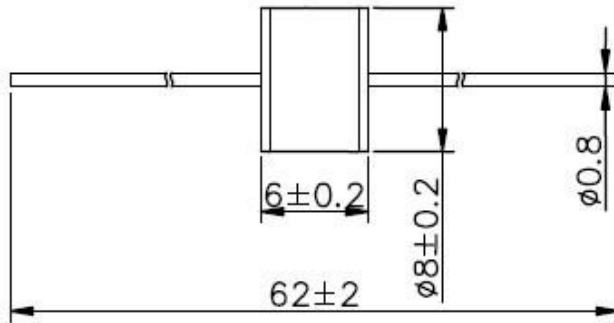


## 2-Electrode Gas Discharge Tubes

5KA / 3KA

### 1: Dimension(mm)



### 2: Main Applications

- PCI Cards protection
- Telephone/Fax/Modem protection
- single line protection
- ADSL/XDSL Splitter, Power Supply
- Surge Protection Device/Surge Protector

- 100% Lead-Free (RoHS Compliant)
- Non-Radioactive
- Low capacitance ( $\leq 1\text{pF}$ )
- Fast Response-time, High Insulation Resistance.
- Small size : Ø8x6(mm)

### 4 Electrical Characteristics

Part Number	DC Spark-over Voltage @ 100V/S	Impulse Spark-over Voltage @ 100V/ $\mu\text{s}$	Impulse Spark-over Voltage @ 1KV/ $\mu\text{s}$	Insulation Resistance	Impulse discharge current(8/20 $\mu\text{s}$ )	AC discharge current (50Hz, 1s, 10times)	Capacitance (1MHz)
	V	V	V	G $\Omega$	10 Times	A	PF
<b>H2R8-75L</b>	75 $\pm$ 20%	<500	<600	>1	5KA	5	$\leq 1$
<b>H2R8-90L</b>	90 $\pm$ 20%	<500	<600	>1	5KA	5	$\leq 1$
<b>H2R8-150L</b>	150 $\pm$ 20%	<500	<600	>1	5KA	5	$\leq 1$
<b>H2R8-230L</b>	230 $\pm$ 20%	<600	<700	>1	5KA	5	$\leq 1$
<b>H2R8-350L</b>	350 $\pm$ 20%	<900	$\leq 1000$	>1	5KA	5	$\leq 1$
<b>H2R8-420L</b>	420 $\pm$ 20%	<900	$\leq 1000$	>1	5KA	5	$\leq 1$
<b>H2R8-470L</b>	470 $\pm$ 20%	<1100	$\leq 1200$	>1	5KA	5	$\leq 1$
<b>H2R8-600L</b>	600 $\pm$ 20%	<1200	$\leq 1300$	>1	5KA	5	$\leq 1$
<b>H2R8-800L</b>	800 $\pm$ 20%	<1300	$\leq 1400$	>1	5KA	5	$\leq 1$
<b>H2R8-1000L</b>	1000 $\pm$ 20%	<1400	$\leq 1500$	>1	5KA	5	$\leq 1$
<b>H2R8-1400L</b>	1400 $\pm$ 20%	<2400	$\leq 2800$	>1	3KA	3	$\leq 1$
<b>H2R8-1500L</b>	1500 $\pm$ 20%	<2500	$\leq 2900$	>1	3KA	3	$\leq 1$
<b>H2R8-2000L</b>	2000 $\pm$ 20%	<2600	$\leq 3000$	>1	3KA	3	$\leq 1$
<b>H2R8-2500L</b>	2500 $\pm$ 20%	<3200	$\leq 3500$	>1	3KA	3	$\leq 1$
<b>H2R8-3000L</b>	3000 $\pm$ 20%	<3800	$\leq 4000$	>1	3KA	3	$\leq 1$

5 Electrical Characteristics

continued

Part Number	DC Spark-over Voltage @ 100V/S	Impulse Spark-over Voltage @100V/μs	Impulse Spark-over Voltage @1KV/μs	Insulation Resistance	Impulse discharge current(8/20μs)	AC discharge current (50Hz, 1s, 10ti mes)	Capacitance (1MHz)
	V	V	V	GΩ	10 Times	A	PF
<b>H2R8-3600L</b>	3600±20%	<4500	≤ 4700	>1	3KA	3	≤1
<b>H2R8-4000L</b>	4000±20%	<5300	≤ 5500	>1	3KA	3	≤1

**Packing Quantity : 100PCS**

Specifications are subject to change without notice

sales@huaandz.com