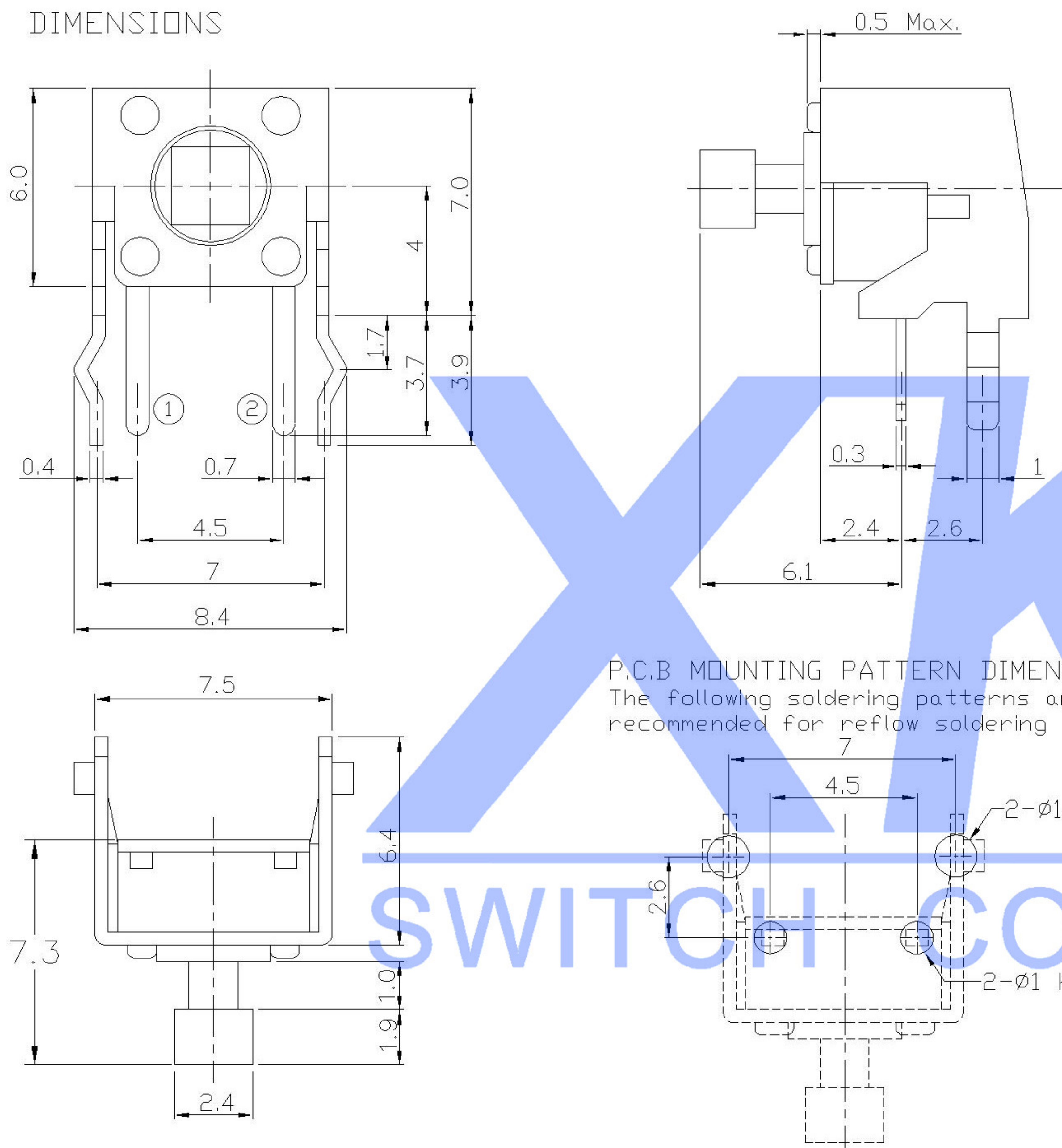
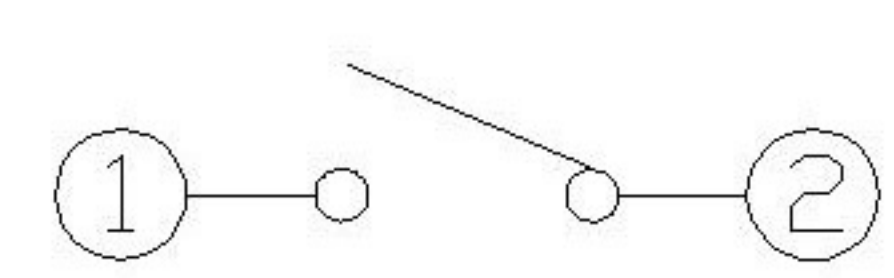


DIMENSIONS



CIRCUIT DIAGRAM

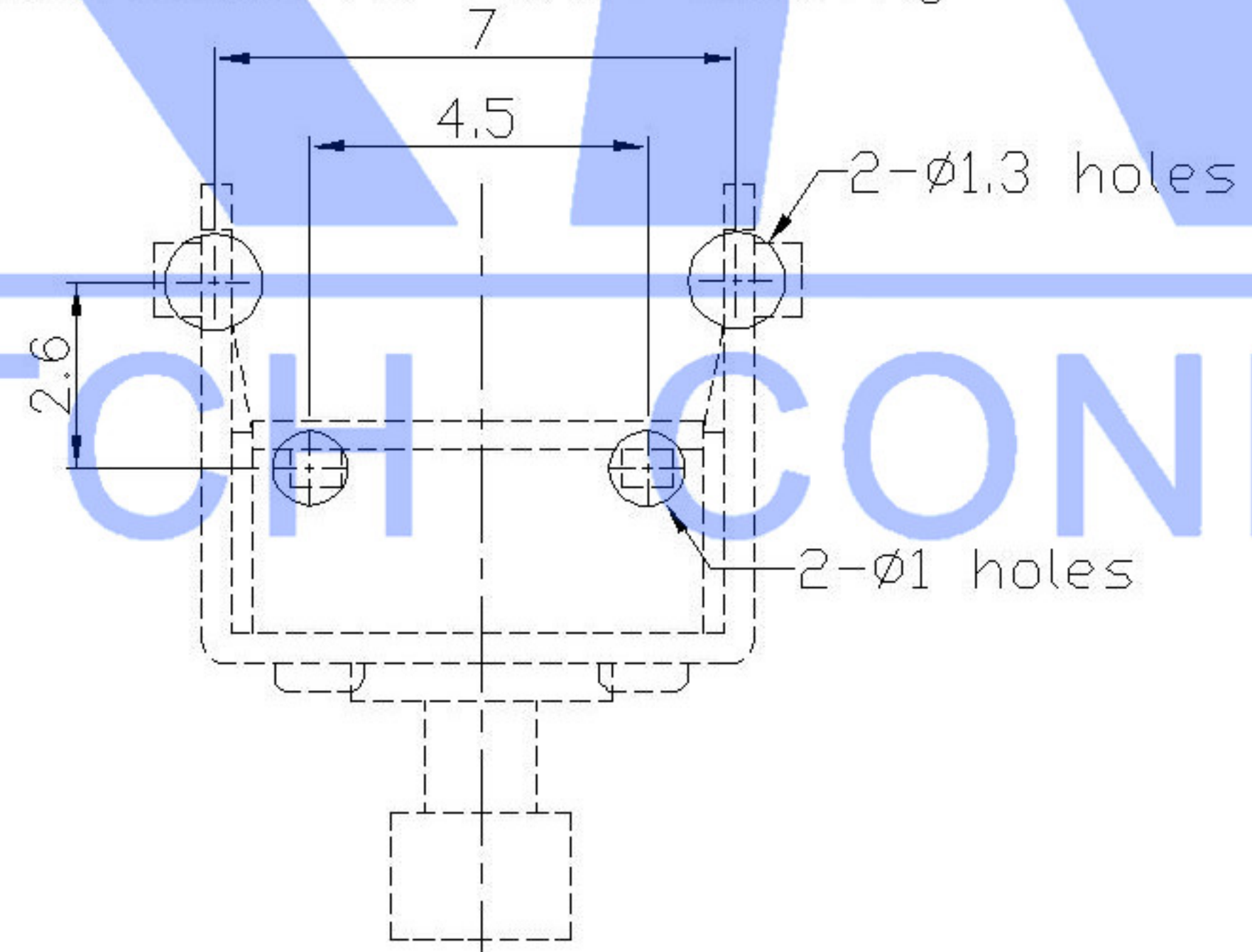


SPECIFICATION

Contact Rating: 50mA,12V DC
Contact Resistance: 100mΩ max
Insulation Resistance: 100mΩ min.500V DC
Dielectric Strength: 250V AC/1minute
Travel: 0.25mm
Operating Temp: -30°C~+85°C
Storage Temp: -30°C~+80°C

P.C.B MOUNTING PATTERN DIMENSION

The following soldering patterns are recommended for reflow soldering



PAPT NO	TC-1102NT-X
Operating Force	A: 100gf B: 160gf C: 260gf
Height	H: 7.3

ITEM	PAPT NAMF	TER.NO	QTY	MATERIAL	FINISHING	REMARK
⑤	Terminal	—	2	Brass (0.30t)	Plating silvering	—
④	Contact	—	1	F.ag/Sus	Natural	—
③	Base	—	1	Pa46		—
②	Cover	—	1	Spcc	Plating Nickel	—
①	Keystake	—	1	Pa46		—

					units: mm	DSND		DATE		SCALE: N/A	MODEL TYPE: TACT SWITCH		
					tolerance:	DWN		DATE		VIEW:	PART NO.:		
Δx					X.X ±0.2mm	CHKD		DATE		UNIT: mm	DWG NO.:		
Δx					X.XX ±0.1mm	APPD		DATE		SIZE: A4	TC-1102NT-X		
MARK	DESCRIPTION	DATE	REVISED	APPROVED	X.XXX ±0.05mm					UNSPECIFIED TOLERANCES	WEIGHT 1.0g	SHEET 1/1	REVISION A0
					REVISIONS	XKB INDUSTRIAL PRECISION CO.,LIMITED							
					www.xk-dg.cn www.helloxkb.com www.helloxkb.cn								