

FEATURES:

- 1X1 Tab-UP, 1" Long RJ45 with internal magnetics
- 16pin signal pin versions available
- Available with LEDs
- Suitable for CAT 5 & 6 Fast Ethernet Cable or better UTP
- Internal magnetics are 100% electrically tested for HI-POT and functionality



YUAN DEAN SCIENTIFIC



RJ45 Jack
56F(10G) SERIES

With Magnetics

10G Base-T

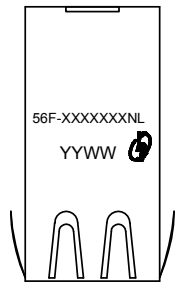
TAB Up



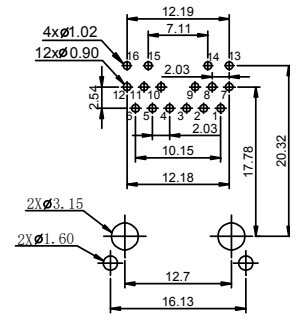
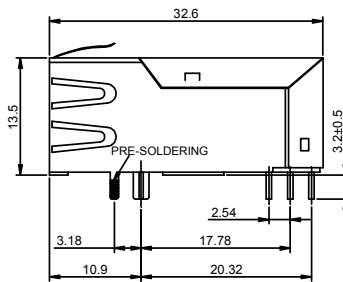
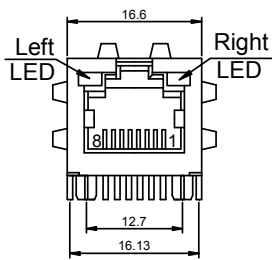
ELECTRICAL SPECIFICATIONS@25°C
Operating temperature 0°C TO 70°C

Part Number	Turns Ratio (±3%)	LEDs	Insertion Loss (dB MAX)		Return Loss (dB MIN)				Crosstalk (dB TYP)		DCMR (dB TYP)		CMR (dB TYP)		Hipot (Vrms)
		L/R	1-100 MHz	100-400 MHz	1-100 MHz	100-200 MHz	200-400 MHz	400-500 MHz	1-100 MHz	100-500 MHz	100-250 MHz	250-500 MHz	1-250 MHz	250-500 MHz	@60Hz
56F-1602DGD2NL	1CT:1CT	G & Y/G	-2.0	-3.0	-13	-10	-7	-6	-28	-19	-30	-22	-	-	1500
56F-1601DGD2NL	1CT:1CT	G & Y/G	1-400 MHz		1-40 MHz	40-500 MHz			-30	-20	-	-	-30	-22	1500
			-2.0		-22	-17+18.27log(f/100MHz)									

Mechanical and Dimension



YY:Year WW:Week

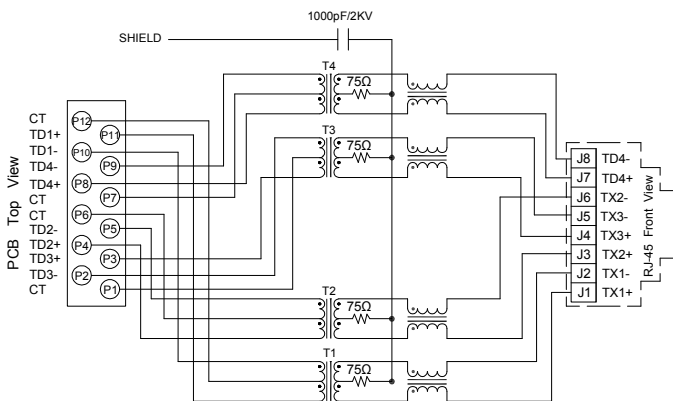


PC Board Layout Component Side Shown

UNIT:mm Unless otherwise specified, all tolerances are ±0.25

Schematics

1601



1602

