

IEC Plug I, Cord Connector (Rewireable), Straight

**Description**

Screwing cable terminal, Plug, Pin temperature 70 °C, Protection class I, Screw Clamp

- Note: Please order pvc strain relief separately, mating strain reliefs please find under accessories.

Approvals

- CSA License Number: 1435558

References

[General Product Information](#)

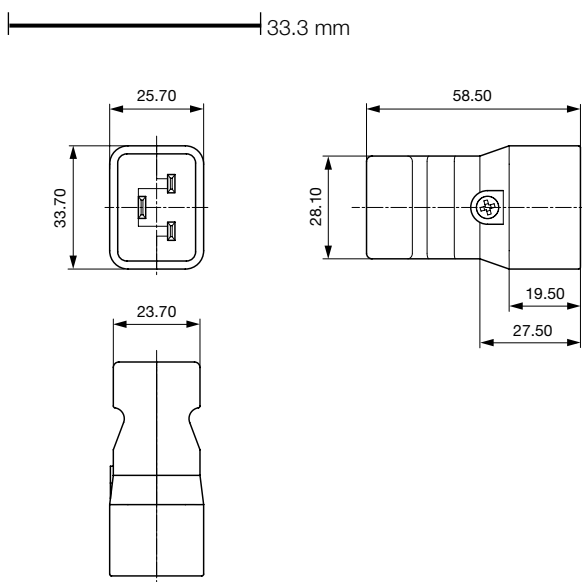
Weblinks

[Approvals](#), [RoHS](#), [CHINA-RoHS](#), [Mating Connectors](#), [e-Store](#), [Distributor-Stock-Check](#), [Accessories](#)

Technical Data

Ratings IEC	16 A / 250 VAC; 50 Hz
Ratings UL/CSA	21 A / 250 VAC; 60 Hz
Dielectric Strength	> 4 kVAC between L-N > 2 kVAC between L/N-PE (1 min/50Hz)
Allowable Operation Temp.	-25 °C to 70 °C
Degree of Protection	from front side IP 40 acc. to IEC 60529
Protection Class	Suitable for appliances with protection class 1 acc. to IEC 61140
Terminal	Screw terminals
Material: Housing	UL 94V-0

Plug	I acc. to IEC/EN 60320-1 UL 498, CSA C22.2 no. 42 (for cold conditions) pin-temperature 70 °C, 16A, Protection Class 1
------	---

Dimensions

Config. Code

Product Configurator

1612 - H - A B C 0 - D - E J

The characters are placeholders for the correspondingly keys of selections from the key tables.

1612 - H - A B C 0 - D - E J = Type

Type	Configuration key
protection class 1	X

1612 - H - A B C 0 - D - E J = Terminals

Terminal L	Configuration key
screw terminal	A

1612 - H - A B C 0 - D - E J = Terminals

Terminal N	Configuration key
screw terminal	A

Symbols similar as in table A

1612 - H - A B C 0 - D - E J = Terminals

Terminal Ground	Configuration key
screw terminal	A

Symbols similar as in table A

1612 - H - A B C 0 - D - E J = Color

Color	Configuration key
jet black; RAL9005	A
silver grey; RAL7001	B
pure white; RAL9010	D
standard color: black	

1612 - H - A B C 0 - D - E J = Style

Style	Configuration key
for cord assembly	8

1612 - H - A B C 0 - D - E J = Condition

Condition	Configuration key
assembled	1
disassembled	2

Packaging unit 50 Pcs

Accessories

Description

HN 14.110
PVC Strain ReliefHN 14.45
PVC Strain ReliefHN 14.46
PVC Strain Relief

Mating Outlets/Connectors

Category / Description



Appliance Outlet Overview complete

IEC Appliance Outlet J, Screw-on Mounting, Front Side, Solder or Quick-connect Terminal	0723
IEC Appliance Outlet J, Snap-in/Screw-on Mounting, Front Side, Solder or Quick-connect Terminal	4797
IEC Appliance Outlet J, Snap-in Mounting, Front Side, Quick-connect Terminal	5013
IEC Appliance Outlet J, Screw-on Mounting, Front Side, Quick-connect Terminal	5016
IEC Appliance Outlet J, Screw-on Mounting, Front Side, Quick-connect Terminal	5017
Appliance Outlet further types to 1612	...

Connector Overview complete



IEC Connector C19, Rewireable, Straight	0104
IEC Connector C19, Rewireable, Angled	1651
IEC Connector C19, Rewireable, Straight	1652
IEC Connector C19, Rewireable, Angled	4790
IEC Connector C19, Rewireable, Straight	4795

[Connector further types to 1612](#)