

PLEASE CHECK WWW.MOLEX.COM FOR LATEST PART INFORMATION

Part Number: [0684271290](#)
Status: **Planned for Obsolescence**
Description: 2.50mm (.098") Pitch Wire-to-Board TPA™, 12 Circuits

Documents:

[Drawing \(PDF\)](#) [RoHS Certificate of Compliance \(PDF\)](#)
[Product Specification PS-68426-001 \(PDF\)](#)

General

Product Family	Accessories
Series	68427
Comments	68426 Wire-to-Board Housing
Component Type	Retainer
Product Name	TPA™ - Term Pos Assurance

Physical

Circuits (Loaded)	12
Lock to Mating Part	Yes
Number of Rows	1
Packaging Type	Bag
Temperature Range - Operating	-40°C to +105°C

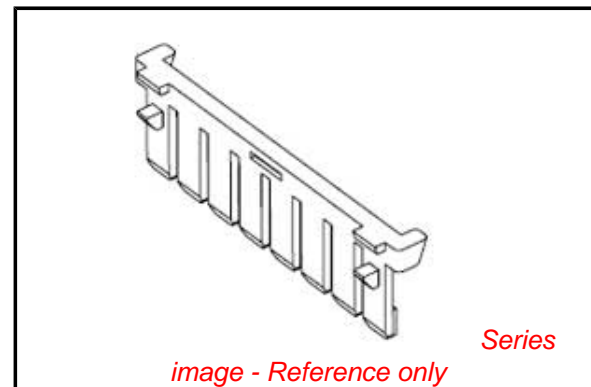
Electrical

Current - Maximum per Contact	3A
-------------------------------	----

Material Info

Reference - Drawing Numbers

Product Specification	PS-68426-001
Sales Drawing	SD-68427-001



EU RoHS

**ELV and RoHS
Compliant**
**REACH SVHC
Not Reviewed**
**Halogen-Free
Status
Not Reviewed**

China RoHS



**Need more information on product
environmental compliance?**

Email productcompliance@molex.com
 For a multiple part number RoHS Certificate of
 Compliance, [click here](#)

Please visit the [Contact Us](#) section for any
 non-product compliance questions.

Search Parts in this Series
[68427Series](#)

Use With
[71755-1000](#) MicroCross™ EMI Shield Kit

DO NOT SCALE DRAWING
DIMENSION IN METRIC

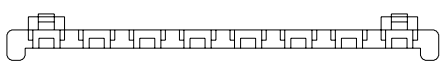
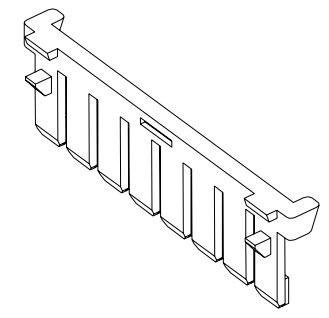
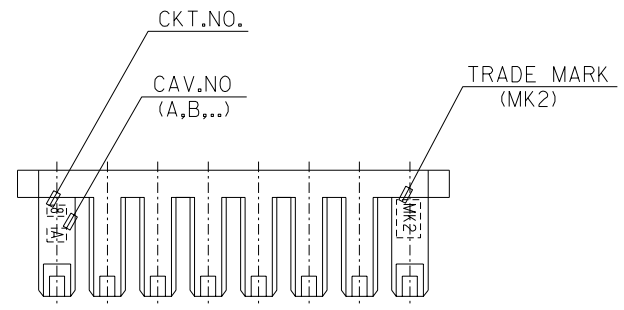
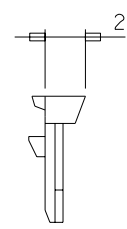
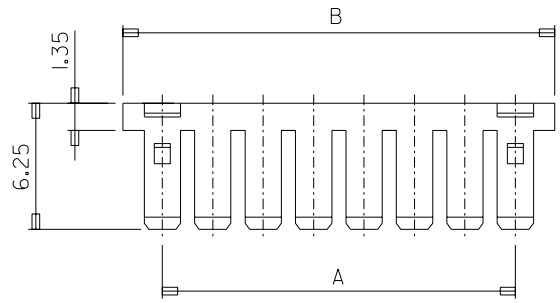
B

C

PROJECT NO.

SIMILAR ITEM

DWG. NO.
SD-68427-001



NOTES

1. MATERIAL : POLYESTER, UL94V-0, GLASS FILLED NATURAL COLOR
2. APPLICABLE HOUSING: 68426

38.9	35.0	68427-1590
33.9	30.0	1390
31.4	27.5	1290
28.9	25.0	1190
26.4	22.5	1090
21.4	17.5	0890
11.4	7.5	68427-0490
B	A	ENG. NO.

NEW RELEASED EC NO. KOR2003-0232 DRWN: W.Y.YANG 03/03/20 CHK: W.Y.YANG APPR: C.W.LEE	QUALITY SYMBOLS MAJOR $\blacktriangledown = 0$ CRITICAL $\blacktriangledown C = 0$	GENERAL TOLERANCES: (UNLESS SPECIFIED)		SCALE 4:1	DESIGN UNITS <input checked="" type="checkbox"/> mm <input type="checkbox"/> INCH	THIRD ANGLE PROJECTION <input checked="" type="checkbox"/> THIRD ANGLE	DIMENSIONS: <input type="checkbox"/> mm <input type="checkbox"/> INCH <input checked="" type="checkbox"/> mm ONLY		SHT	REV
		4 PLACES	$\pm 0.$	$\pm.$	DRAWN BY & DATE W.Y.YANG 03/01/20		TITLE: 2.5 W/B CONN.(TPA) TPA			
		3 PLACES	$\pm 0.$	$\pm.$	CHECKED BY & DATE W.Y.YANG 03/01/20					
		2 PLACES	± 0.25	$\pm.$	APPROVED BY & DATE C.W.LEE 03/01/20		MOLEX INCORPORATED CAD FILENAME: S68427AA MATERIAL NO.: SEE TABLE DRAWING NO.: SD-68427-001 SHEET NO.: IOF 1			
1 PLACE	± 0.25	$\pm.$	ANGULAR: \pm °		THIS DRAWING CONTAINS INFORMATION THAT IS PROPRIETARY TO MOLEX INCORPORATED AND SHOULD NOT BE USED WITHOUT WRITTEN PERMISSION.					
A	REV	DRAFT WHERE APPLICABLE MUST REMAIN WITHIN DIMENSIONS								SIZE B

F
E
D
C
B
A

8 7 6 5 4 3 2 1

8 7 6 5 4 3 2 1