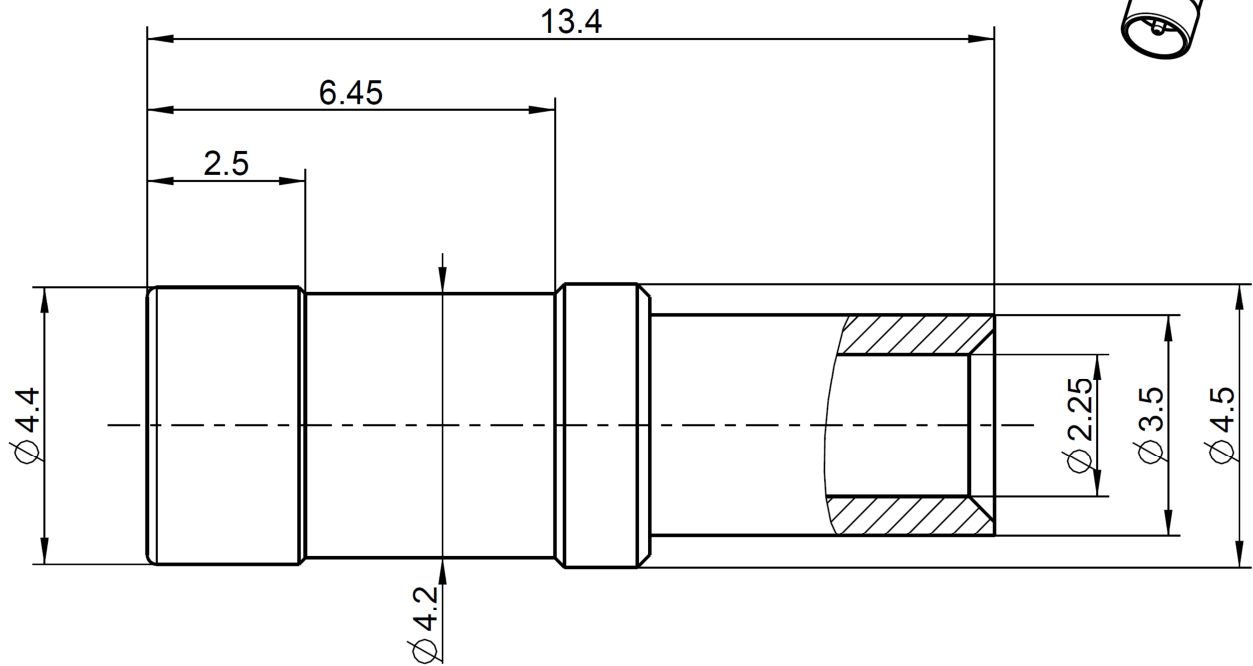


VIA

Straight Plug

B2BS101-271L5



All dimensions are in mm; tolerances acc. to ISO 2768 m-H

Interface

According to

Rosenberger B2B-VIA

Documents

Panel piercing

N/A

Material and plating

Connector parts

Center contact
Outer contact
Dielectric

Material

Brass
Brass
PTFE

Plating

AuroDur®, gold plated
AuroDur®, gold plated

Dieses Dokument ist urheberrechtlich geschützt • This document is protected by copyright • Rosenberger Hochfrequenztechnik GmbH & Co. KG

RF_35/09.14/6.2

VIA

Straight Plug

B2BS101-271L5

Electrical data

Impedance	50 Ω
Frequency	DC to 6 GHz
Return loss*	36 dB typ. @ DC to 2.5 GHz 35 dB typ. @ 2.5 GHz to 4 GHz 32 dB typ. @ 4 GHz to 6 GHz
Insertion loss	≤ 0.1 x √f [GHz] dB
Insulation resistance	≥ 5 GΩ
Center contact resistance	≤ 6 mΩ
Outer contact resistance	≤ 5 mΩ
Test voltage (at sea level)	500 V rms
Working voltage (at sea level)	335 V rms
Power handling (sea level, VSWR 1.0)	260 W @ 2.2 GHz (at 20 °C) (tbd) 160 W @ 2.2 GHz (at 100°C) (tbd) 130 W @ 2.7 GHz (at 100°C) (tbd)
Contact Current	≤ 2A DC
Screening Attenuation	≥ 70 dB up to 6 GHz

- Connector only, VSWR in application depends decisive on PCB layout –
* depending on the axial misalignment

Mechanical data

Mating cycles	≥ 100
Center contact captivation	≥ 7 N
Disengagement force	Δ 5N (between Limited Detent and Smooth Bore)
Working range	2 mm (± 1 mm)
Radial misalignment	± 0.6 mm / 4°
Pitch	≥ 6.5 mm

Environmental data

Temperature range	-55 °C to +125 °C
Thermal shock	MIL-STD-202, Method 107, Condition B
Climatic category	IEC 61169-1, Sub-clause 9.4.5 (+155 °C, 250 hours)
Moisture resistance	MIL-STD-202, Method 106
Vibration	MIL-STD-202, Method 204, Condition B
Shock	MIL-STD-202, Method 213, Condition A
RoHS	compliant

Tooling

N/A

Weight

Weight 0.77g/pce

While the information has been carefully compiled to the best of our knowledge, nothing is intended as representation or warranty on our part and no statement herein shall be construed as recommendation to infringe existing patents. In the effort to improve our products, we reserve the right to make changes judged to be necessary.

Draft	Date	Approved	Date	Rev.	Engineering change number	Name	Date
B. Aicher	08.02.16	B. Aicher	18.08.17	300	17-v597	Tobi Stadler	18.08.17
Rosenberger Hochfrequenztechnik GmbH & Co. KG P.O.Box 1260 D-84526 Tittmoning Germany www.rosenberger.de						Tel. : +49 8684 18-0 Email : info@rosenberger.de	
						Page 2 / 2	