

Housing - HC-STA-B24-HLWD-BLANK-EL/...



1373297

<https://www.phoenixcontact.com/us/products/1373297>

Please be informed that the data shown in this PDF document is generated from our Online Catalog. Please find the complete data in the user documentation. Our General Terms of Use for Downloads are valid.



Sleeve housing B24, with double locking latch, material: Die-cast aluminum, salt water resistant, variable, height: 60 mm, cable gland: none, with choice of powder coating color

1373297

<https://www.phoenixcontact.com/us/products/1373297>

Commercial Data

Item number	1373297
Packing unit	1 pc
Minimum order quantity	1 pc
Note	Made to Order (non-returnable)
Product Key	BF7APB
Weight per Piece (including packing)	278 g
Weight per Piece (excluding packing)	278 g
Customs tariff number	85389099

1373297

<https://www.phoenixcontact.com/us/products/1373297>

Technical Data

Notes

General	powder-coated and color version of item 1420046 HC-STA-B24-HLWD-BLANK-EL-AL
---------	---

Product properties

Type	B24
Product type	Housing with locking latch
Housing type	Sleeve housing
Locking type	with double locking latch

Material specifications

Housing material	Die-cast aluminum, salt water resistant
------------------	---

Connector

Housing

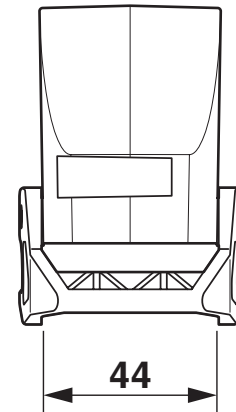
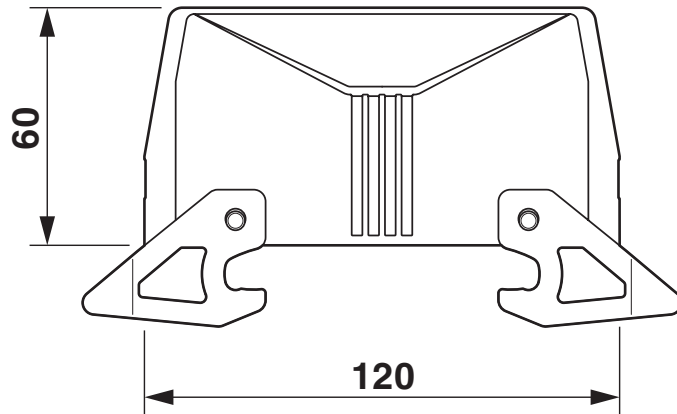
Housing type	Sleeve housing
Integrated protective cover	no
Locking type	with double locking latch
Degree of protection	IP66
	IP67
Degree of protection	4 (UL 50e)
	4X (UL 50e)
	12 (UL 50e)
Ambient temperature (operation)	-40 °C ... 125 °C

1373297

<https://www.phoenixcontact.com/us/products/1373297>

Drawings

Dimensional drawing



Dimensional drawing

1373297

<https://www.phoenixcontact.com/us/products/1373297>

Classifications

ECLASS

ECLASS-11.0

27440202

Phoenix Contact 2022 © - all rights reserved

<https://www.phoenixcontact.com>

Phoenix Contact USA
586 Fulling Mill Road
Middletown, PA 17057, United States
(+717) 944-1300
info@phoenixcon.com