



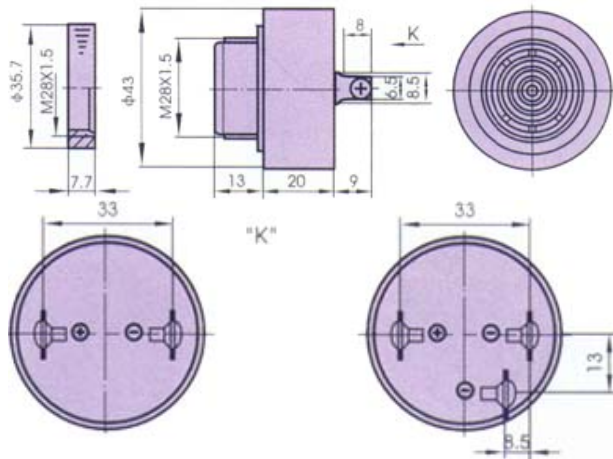
- FM-12B-900TYPE



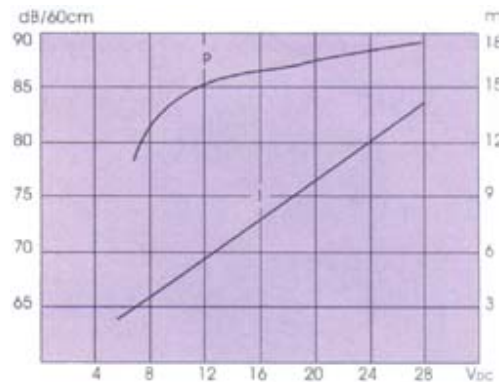
FEATURES:

- High output
- Sealed type
- High reliability

DIMENSIONS: (Unit: mm)



CHARACTERISTICS:



ELECTRICAL SPECIFICATIONS :

Model No.	FM-12B-900 FM-12B-900(A)	FM-12B-901 FM-12B-901(A)	FM-12B-903 FM-12B-903(A)	FM-12B-905 FM-12B-905(A)	FM-12B-907 FM-12B-907(A)
Min. Sound Pressure Level (dB)	80 /12V _{DC} /60cm-900~907 90 /12V _{DC} /60cm-900(A)~907(A)				
Rated Voltage (V _{DC})	12				
Operating Voltage (V _{DC})	6 ~ 28				
Max. Consumption (mA)	20 /12V _{DC} 900~907		32 /12V _{DC} 900A~907A		
Oscillating Frequency (kHz)	2.9 ± 0.5				
Tone Nature	Continuous	Fast Pulse	Slow Pulse	Continuous+ Fast pulse	Continuous+ Slow pulse
Operating Temperature (°C)	-20 ~ +70				
Weight (g)	35				
Case Material/Colour	ABS/Black				

PACKING INFORMATION :

Packing :	200 pcs per export carton
Carton Size :	47 X 30.5 X 31 cm
G. Weight :	10.5 kgs
N. Weight :	7 kgs