

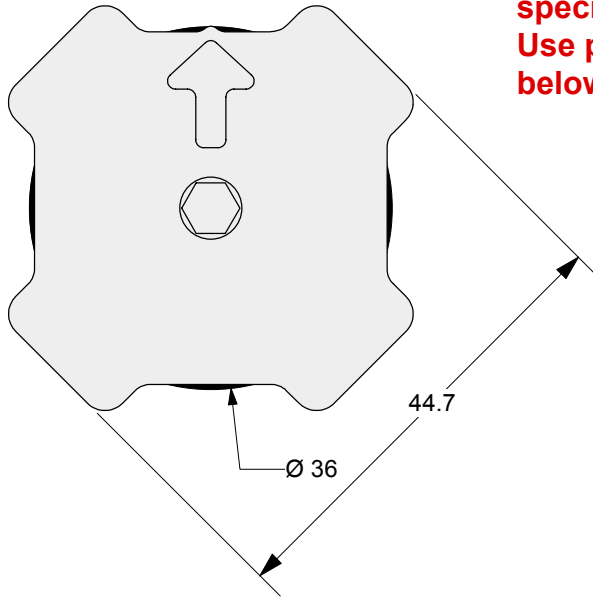
TS-SS-21-X.X Drawing

**Note: Screw needs to be calibrated for a specific torque.
Use part numbers shown in the table below to order appropriate screw**

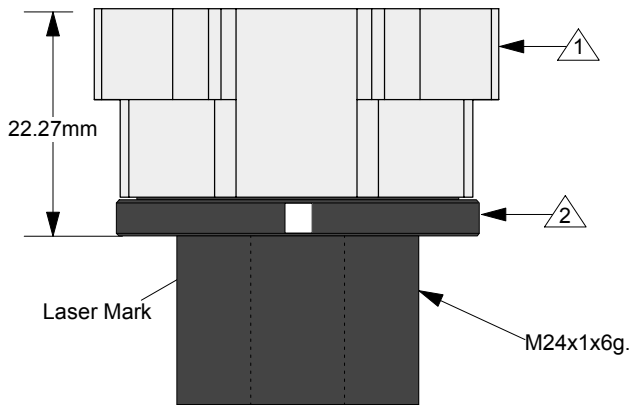
Ordering Information

| <u>Part Number</u> | <u>Torque (in. lbs)</u> |
|--------------------|-------------------------|
| TS-SS-21-2.5 | 2.5 |
| TS-SS-21-3.0 | 3.0 |
| TS-SS-21-3.5 | 3.5 |
| TS-SS-21-4.0 | 4.0 |
| TS-SS-21-4.5 | 4.5 |
| TS-SS-21-5.0 | 5.0 |
| TS-SS-21-5.5 | 5.5 |
| TS-SS-21-6.0 | 6.0 |
| TS-SS-21-6.5 | 6.5 |
| TS-SS-21-7.0 | 7.0 |

Top View



Side View



1 Compression Screw Top: Clear anodized Aluminum.

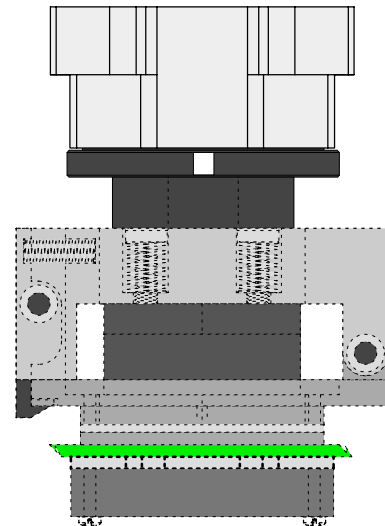
2 Compression Screw Bottom: Black anodized Aluminum with M24 x1x6g Threads.

Description: Torque Indicating Screw

Torque screw for 2.5 in lbs - 7 in lbs.


To be used with clamshell lid sockets

Compression screw needs to be turned clockwise up to the point where the arrow on top of the compression screw aligns with laser mark on the compression screw bottom.



**Clamshell lid socket with Torque Indicating Screw
Note: Socket Not Included**

Tolerances: All tolerances are $\pm 0.13\text{mm}$ [± 0.005 "] unless stated otherwise. Materials and specifications are subject to change without notice.

| TS-SS-21-X.X Drawing | | Status: Released | Scale: N/A | Rev: A |
|---------------------------------------------------------------------------------------------------------------------------------------------------------------------------------------|------------------------|------------------|---------------|--------|
|  <p>© 2010 IRONWOOD ELECTRONICS, INC. Tele: (800) 404-0204 www.ironwoodelectronics.com</p> | Drawing: V. Panavala | | Date: 10/8/10 | |
| | File: TS-SS-21-X_X Dwg | | Modified: | |