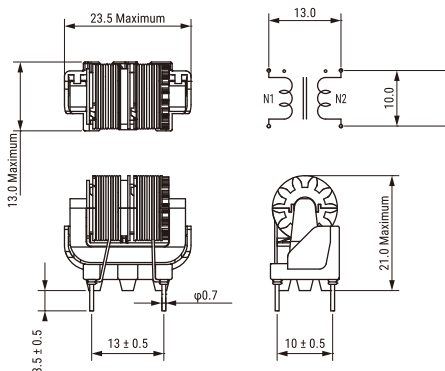


KEMET, SSR10VS/HS, AC Line Filters, Common Mode, 0.0385 H



Dimensions	
L	23.5mm MAX
T	13mm MAX
H	21mm MAX
LL	3.5mm +/-0.5mm
S	13mm +/-0.5mm

Packaging Specifications	
Packaging:	Tray
Packaging Quantity:	600
Weight:	9 g

General Information	
Series:	SSR10VS/HS
Style:	Through-Hole
Features:	Compact Size, Low Profile, Light Weight, High Frequency, Broad Bandwidth
RoHS:	Yes
Miscellaneous:	50 (K) Temperature Rise Max.

Specifications	
Voltage AC:	250 VAC
Inductance:	38.5 mH (10 kHz)
Current:	600 mA
Temperature Range:	-25/+120C
DC Resistance:	1.2 Ohms