

Power Ring Film Capacitor™ 500 μ F, 450 Vdc

The 700D50794-529 Power Ring is a 450Vdc, 500 μ F DC Link Capacitor with an ESR of 320 micro-Ohms at 20kHz and an ESL of less than 5nH.



Electrical Specifications

SBE Part #: 700D50794-529

Capacitance/Tolerance: 500 μ F \pm 10%

DC Voltage Rating: 450 Vdc

Dielectric/Construction: Metallized polypropylene.
Single section design

Dielectric Withstand Voltage: Units 100% tested at DC potential of 560 Volts for two minutes at 25°C

ESL: Less than 5 nH in a suitable laminar bus structure

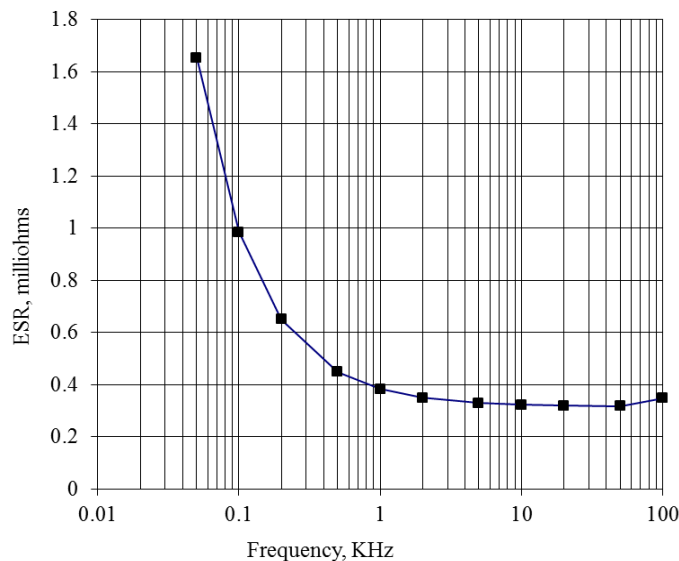
Thermal Resistance: 3.09°C/W (case side cooling only)
1.26°C/W (case and bus side cooling only)

Operating Temperature: -40°C to +85°C at full DC voltage rating

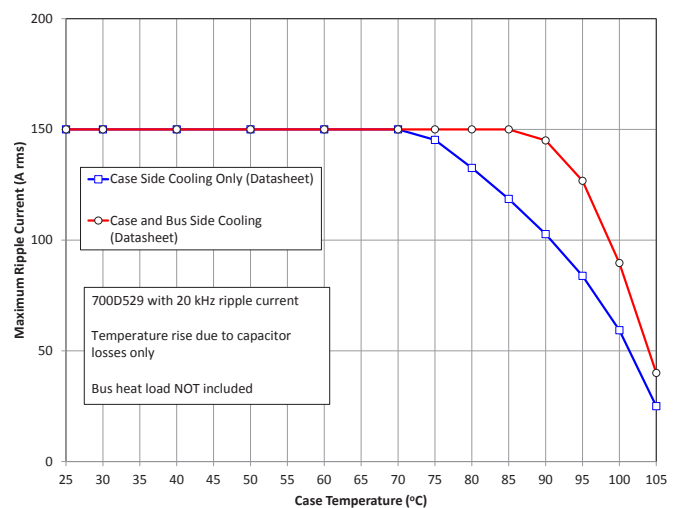
Voltage, Temperature De-rating: De-rate voltage linearly to 250 Volts from +85°C to +107°C, with respect to hotspot temperature

System Fault Current Rating: 10,000 Amps maximum (external to the capacitor)

Typical ESR vs. Frequency:



RMS Current Rating:



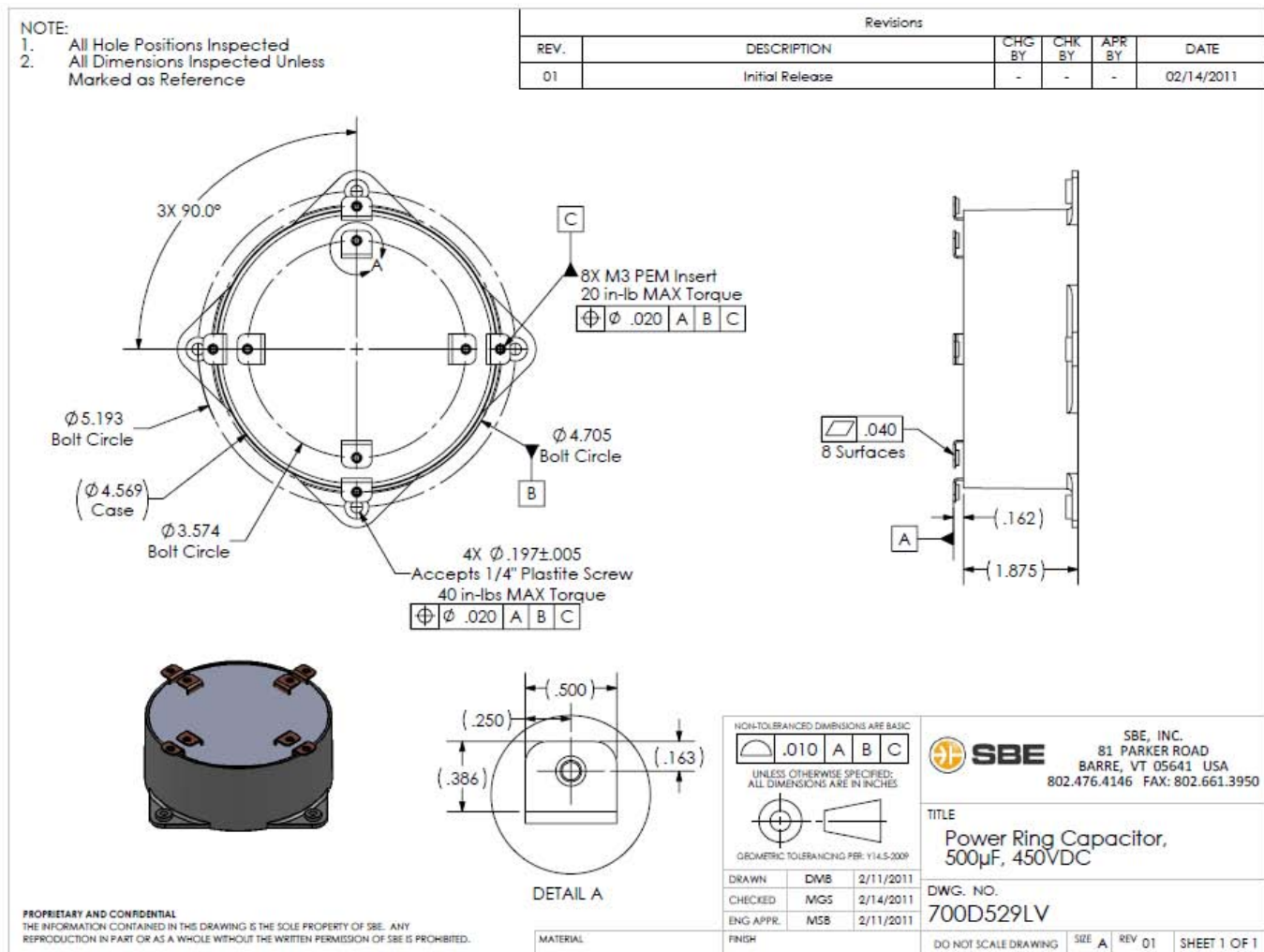
SBE reserves the right to amend design data

Mechanical Specifications

Dimensions:	See layout drawing for details	Marking: SBE	SBE company identification
Terminals:	Tin plated copper, 0.032" thick	700D529	Unique SBE part number
Encapsulation:	Molded polymer case, potted with RTV silicone	500 μ F \pm 10%	Capacitance value and tolerance
		450 Vdc	DC voltage rating
		yyww-lot#-unit	Serial number (date code, lot number, unit number)

Layout Details:

Contact SBE Inc. to discuss your specific requirements.



SBE reserves the right to amend design data