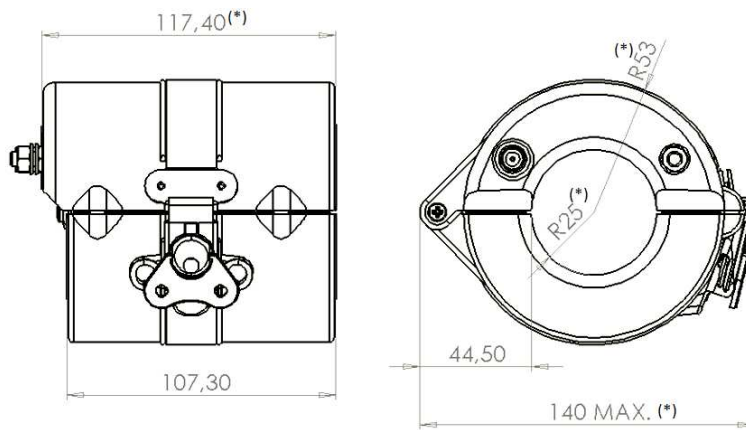


C/Severo Ochoa 33 - Parque Tecnológico de Andalucía. 29590 Campanillas. Málaga (Spain) **Phone** +34 951 231 320 Fax +34 951 231 321  
 E-mail: [info@grupopremo.com](mailto:info@grupopremo.com) Web <http://www.grupopremo.com>

## 1. Features

- High current solution made with high permeability high performance materials avoid saturation problems at high currents
- Low insertion losses 12dB±2dB (@100-250kHz) ; 5dB±2dB (@250-600kHz)
- More electrical safety: High insulation > 4.7 kV
- Compact equipment: BNC connector integrated in the coupler (other connections available under request)
- Water resistant (IP65)

## 2. Dimensions

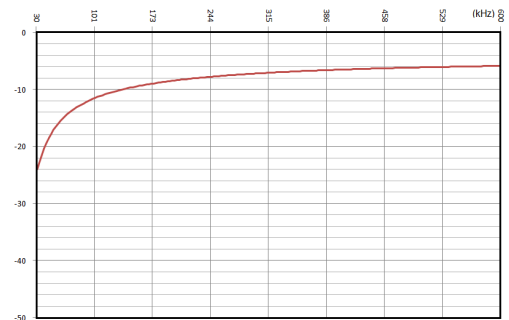


All dimensions are in mm.  
 Tolerances unless specified: ±1,0mm  
 Critical dimensions (\*)



## 3. Electrical characteristics

Nominal current	300 A	
Rated Voltage	Only depends on the insulation level of the cable	
Rated AC withstand voltage		
Rated lightning withstand voltage (1.2/50µs)		
Partial discharge level at 1.2 U <sub>N</sub>		
Insulation resistance		
Transmission frequency range and attenuation	-12dB±2dB @100 to 250 kHz -5dB±2dB @250 to 600 kHz	
Nominal impedance	Coupling side	20 to 50 Ω
	Equipment side	50 Ω
Average power in permanence	> +40 dBmW	
Harmonic distortion and intermodulation	< -60 dB	
Dielectric strength	>4.7kV	
Working temperature	-20°C to 60°C	
Storage temperature	-40°C to 85°C	
Weight	<2.5 kg	
Climatic category	25/100/21 according to IEC 60068-1	
Safety isolation	IEC 60950	
Normative	IEC 61869	



Attenuation (dB) in working frequency range

	PLC band	Frequency	
EUROPE	CENELEC B	95-125kHz	✓
	CENELEC C	125-140kHz	✓
	CENELEC D	140-148.5kHz	✓
USA	FCC	10kHz-490kHz	✓

Edition	Revision date
7	07/02/2014