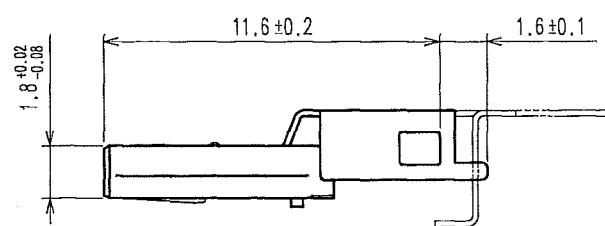
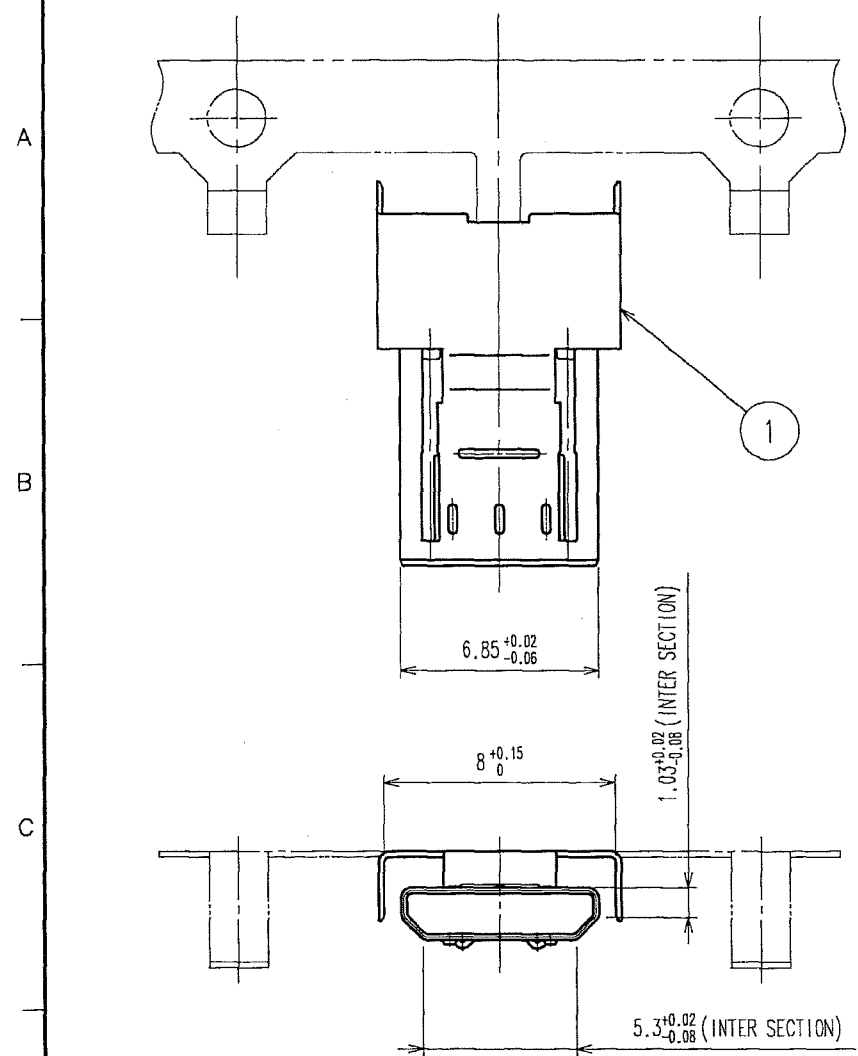
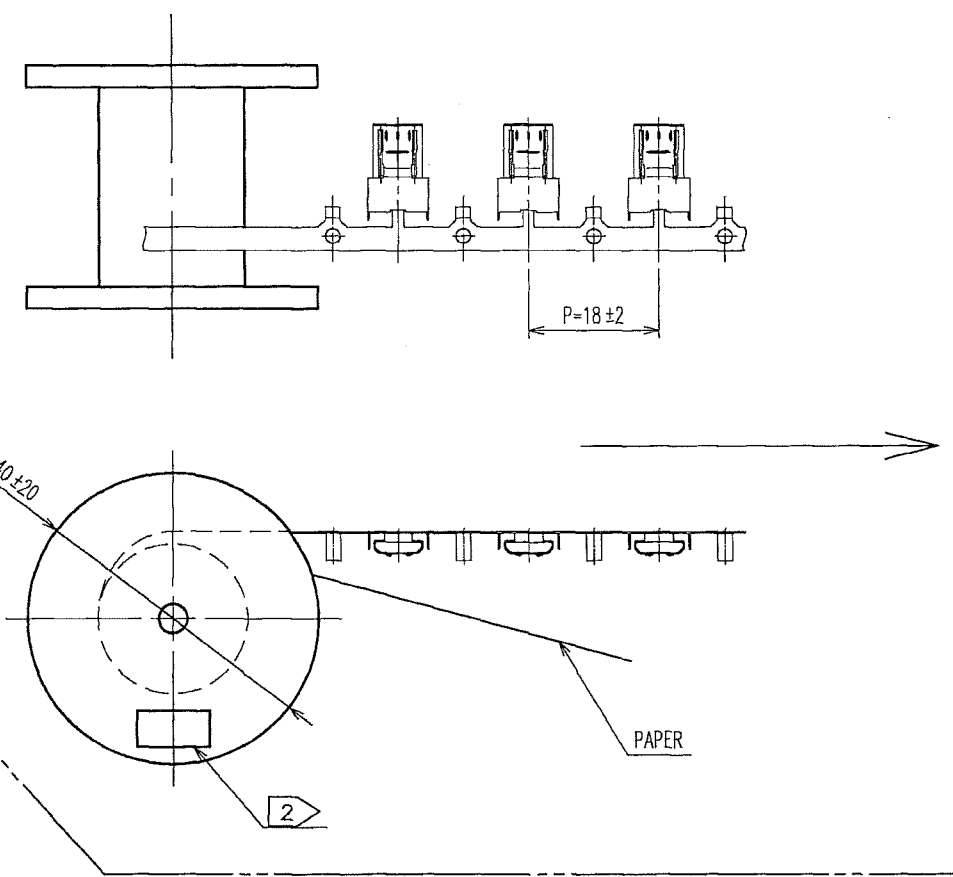


1 2 3 4 5 6 7 8

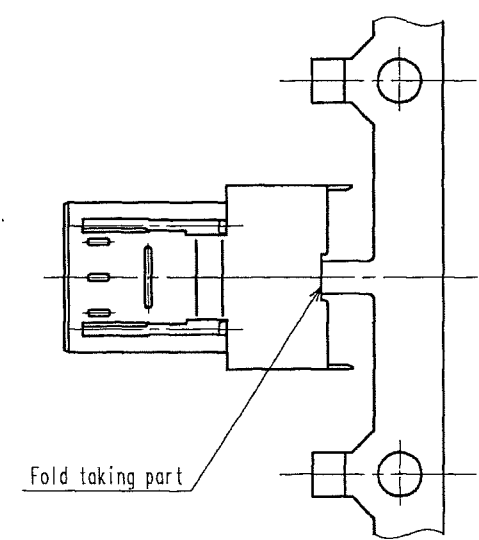
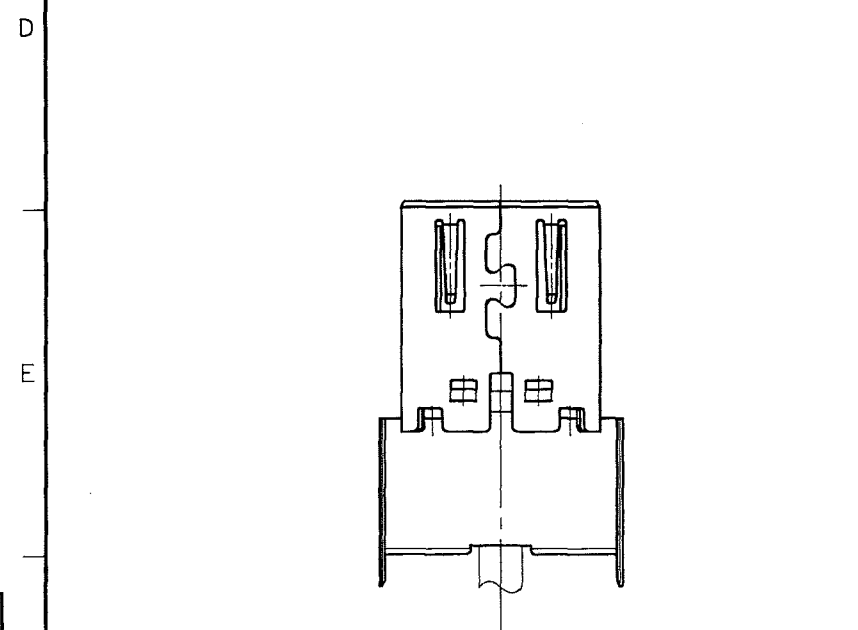
COUNT	DESCRIPTION OF REVISIONS	BY	CHKD	DATE	COUNT	DESCRIPTION OF REVISIONS	BY	CHKD	DATE



1 Fig-1 REELING(FREE)



3 Fig-2 CUT OFF A CAREER(FREE)



- NOTE 1 This is delivered by a reel.QTY:4000pcs.
 2 Shown on a reel and a box is ; "Part No.", "Code No.", "Lot No.", "QTY"
 3 Cut off a career as shown in Fig-2.

TO

1	STAINLESS STEEL	Nickel 0.1 μm min.
NO.	MATERIAL	FINISH, REMARKS

CODE NO. (OLD)	DRAWN P. Sakaijawa 07.03.06	DESIGNED T. Sakaijawa 07.03.06	CHECKED H. Tanaka 07.03.06	APPROVED [Signature] 07.03.06	RELEASED ENG 07.6.18 DEPT
----------------	-----------------------------------	--------------------------------------	----------------------------------	-------------------------------------	------------------------------------

SCALE 4 : 1	DRAWING NO. EDC3-126148	PART NO. ZX20-B-SLDC
UNITS mm	HRS HIROSE ELECTRIC CO., LTD	CODE NO. CL242-0022-1

1 2 3 4 5 6 7 8 FORM NO.229