

PART NAME

NEMA 4X ENCLOSURE

PART No.

PN-1323, PN-1323-C AND PN-1323-DG

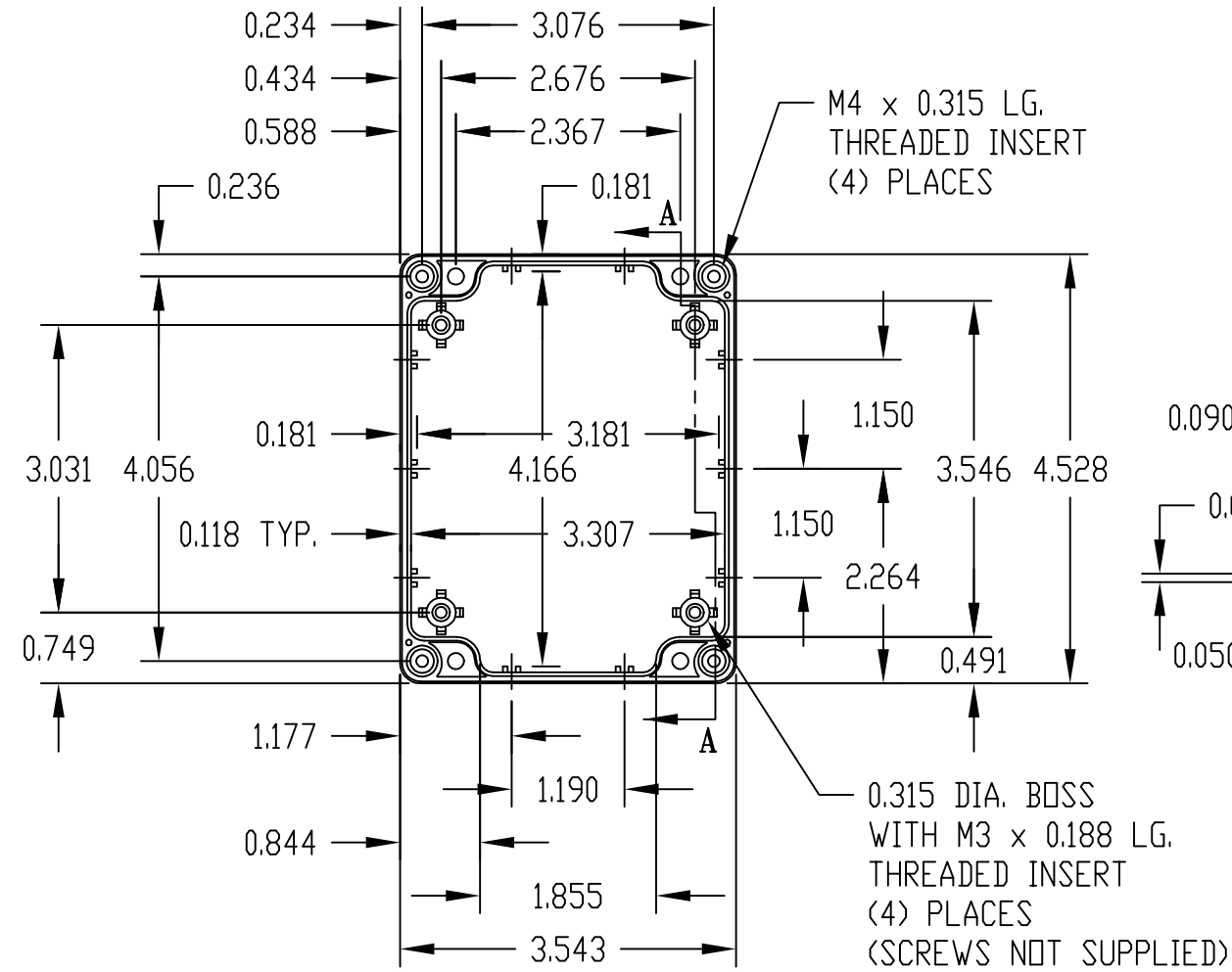
REV. DATE

11-17-08

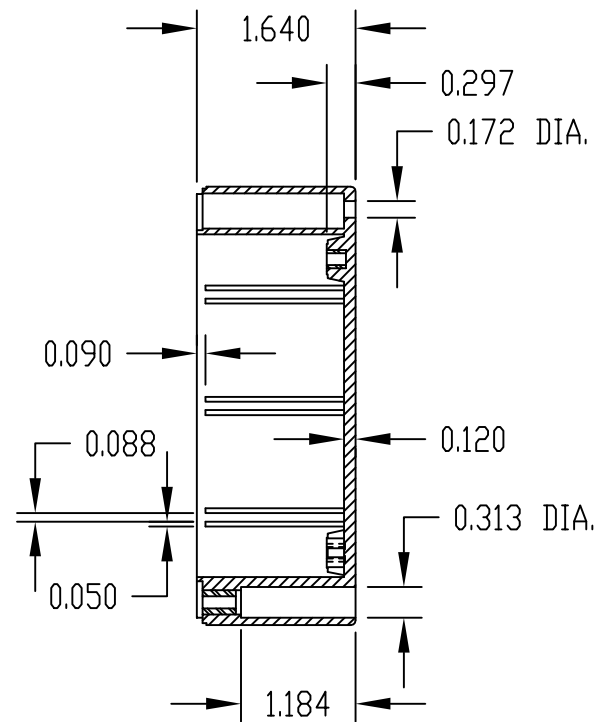
INDUSTRY STANDARDS:

POLYCARBONATE (LIGHT GRAY AND CLEAR)
 UL94-HB FLAMMABILITY RATING (UL FILE #E41613)
 UV STABILIZED
 SERVICE TEMPERATURE RANGE: -40°C TO +120°C

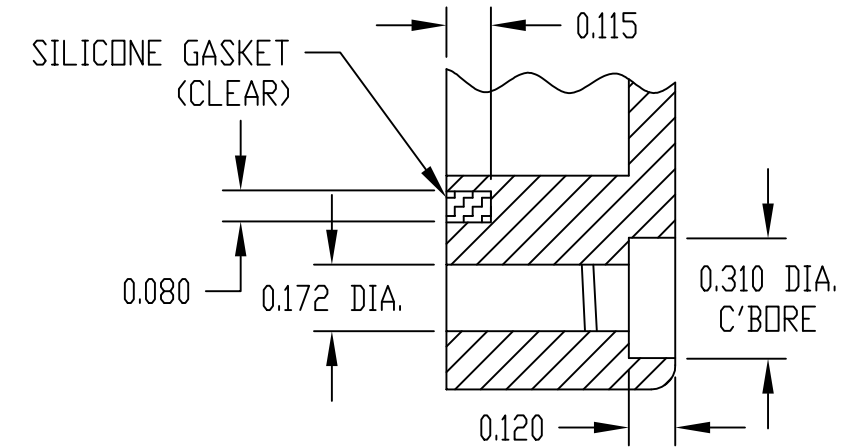
ABS (DARK GRAY)
 UL94-HB FLAMMABILITY RATING (UL FILE #E56070)
 SERVICE TEMPERATURE RANGE: -40°C TO +80°C



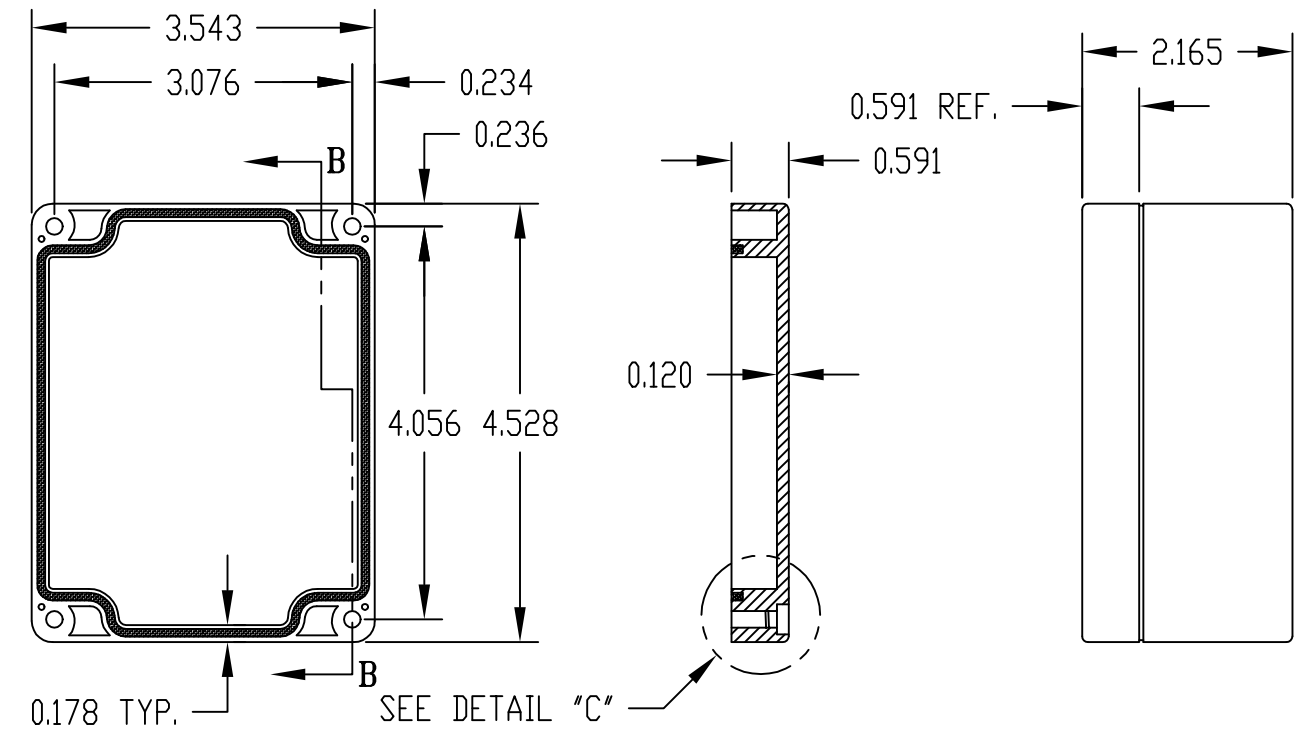
BODY



SECTION "A-A"



DETAIL "C"



COVER

SECTION "B-B"

NOTE: ALL DIMENSIONS HAVE ±0.015 TOLERANCE UNLESS OTHERWISE SPECIFIED.

| PART NUMBER | MATERIAL | | FINISH | | HARDWARE KIT |
|-------------|-----------------|-------|------------|-------|---|
| | BODY | COVER | BODY | COVER | |
| PN-1323 | POLYCARBONATE | | LIGHT GRAY | | KIT CONTAINS (4) M4 x 20mm (0.787") LG. SCREWS FOR ASSEMBLY |
| PN-1323-C | POLYCARBONATE | | LIGHT GRAY | CLEAR | |
| PN-1323-DG | HIGH-IMPACT ABS | | DARK GRAY | | |