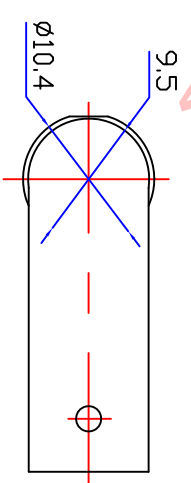
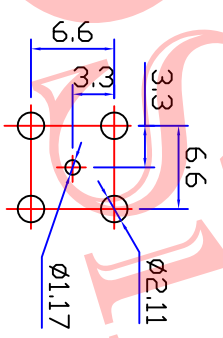
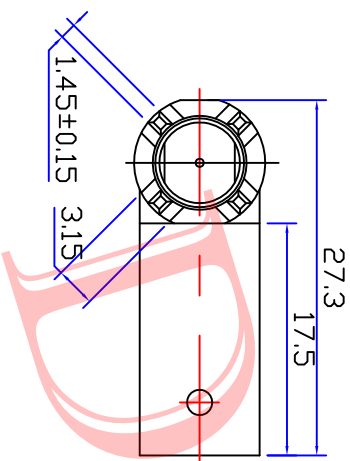
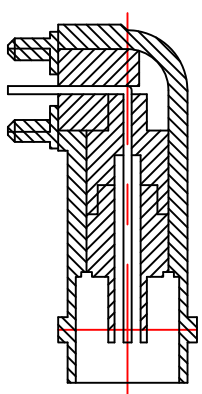
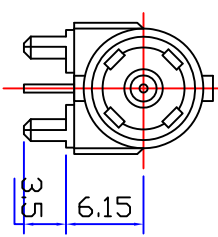
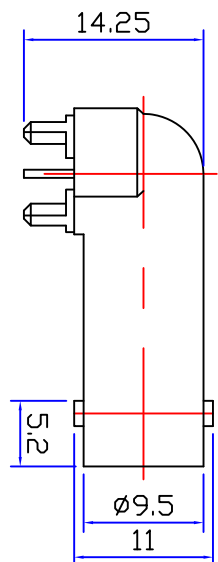




Product NO.		DOSIN-801-0051		
REV	DESCRIPTION	DWN	DATE	APPROVEN
A	First issue	JJM	2012/11/02	John kine



PCB HOLE CONFIGURATION
RECOMMENDED PANEL CUTOUTS

Specifications

Impedance: 75 Ohms
 Frequency Range: DC~3G
 VSWR: 1.3MAX
 Working Voltage: 500V rms @ sea level
 Insulation Resistance: 5000 Ohms min
 Temperature Range: -55°C TO +155°C
 Relative Temperature: ≤95% (40°C ± 2°C)
 Drawings products are in line with ROHS standards

3	BDDY	ZINC	NICKEL	1
2	INSULATOR	PDM	WHITE	1
1	PIN	BRASS	GOLD	1
NO	DESCRIPTION	MATERIAL	FINISH	QTY

NOTE:		Tolerance	
DRAWN	Zelin Zhang	2012/11/10	0-6 6-30 30-120
CHECKED			±0.15 ±0.20 ±0.5
APPROVALS	John	12/04.2012	Angular ±2°
UNIT	MM	SCALE	1:1

Name:		BNC CONNECTOR DNN	
SIZE	Product NO.	CAD FILE	REV
A	DOSIN-801-0051	DOSIN-801-0051	B
Date/Time	2012/11/02	D/company drawings/BD	SHEET: 1 OF 1

Product NO. DOSIN-801-0051

Company Name: Dosing Industrial(H.K.)Co., Ltd
 Address: 东莞市德泰五金电子有限公司
 Website: www.dosing.com
 Email: dosin_2005@163.com
 Tel: (0086) 769-81153906
 Fax: (0086) 769-81875836