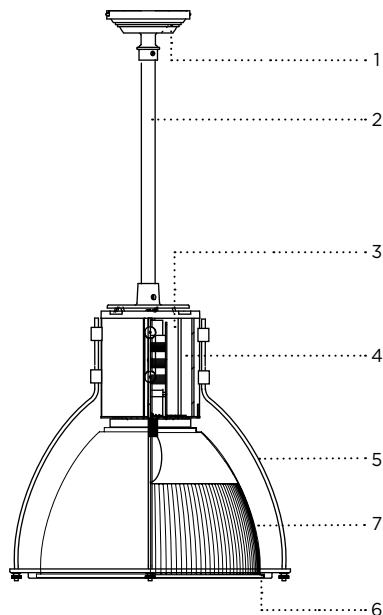


TYPE:	QUANTITY:	PROJECT:						
CATALOG NUMBER:								
	FIXTURE	WATTAGE	VOLTAGE	FINISH	OPTION	OPTION	OPTION	OPTION



Ceiling pendant luminaire with a choice of clear acrylic refractor or an anodized aluminum reflector with two part inner surface treatment. Upper etched surface combined with multi-faceted specular lower part. Optional attachments and accessories are available to customize and adapt each luminaire to particular design requirement.

- Standard heavy duty 45° hang straight swivel, with 5" diameter (127) canopy and universal mounting plate.
- 7/8" diameter (22) X 36" Lg. (914) suspension stem. Precut factory stems are available on request. (Specify STM with desired length)
- Cast aluminum removable top cover for quick maintenance.
- Extruded aluminum ballast housing module with a fine linear stria pattern.
- Set of four side struts secured in position with a cast aluminum holder.
- Lens holder ring. (See options for clear lens.)
- PR1660:** Clear acrylic refractor.
PR1665: Aluminum reflector.
Inner surface: multi-faceted specular anodized.
Exterior surface: Satin anodized natural aluminum.
Alternate exterior finish (Option RP6)

PR1660



PR1665



MATERIALS

Prisma is made of an extruded aluminum ballast housing designed to optimize functionality of electrical components.

Prisma is available with a choice of two interchangeable reflectors.

- A clear acrylic refractor with a linear peripheral pattern providing general upward illumination with efficient down lighting.
- An aluminum reflector designed to optimize light source performance and uniformity.

ELECTRICAL

METAL HALIDE

BALLAST Electronic 120/277V multi volt or 347V (50-60HZ) up to 150W. Pulse rated magnetic ballast for 175W and higher with a minimum starting temperature of -22°F/-30°C including end of life protection.

SOCKET Medium and mogul are base pulse rated 4kV porcelain body with a nickel plated screw shell and center contact rated 600V. Supplied with 200°C leads.

COMPACT FLUORESCENT (CFL)

BALLAST Electronic 120/277V multi volt, or 347V (50-60HZ) with end of life protection. Minimum starting temperature of 0°F/-18°C.

SOCKET Thermoplastic body rated for 75W-600V. Supplied with 105°C leads.

FINISH

Polyester powder coating is applied through an electrostatic process and oven cured for long term finish.

MOUNTING

Maximum weight: 9lbs (4.1kg)

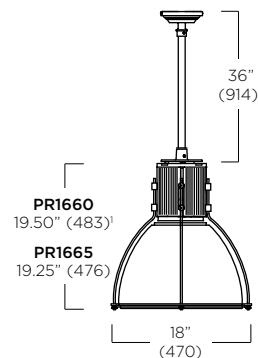
Mounts on a standard 4" (102) octagonal electrical box with 3 1/2" (89) C/C mounting holes.

CERTIFICATION

Tested to UL1598 and CSA 22.2 #250. ETL listed damp location.

CE certification on request.

Rated IP41.

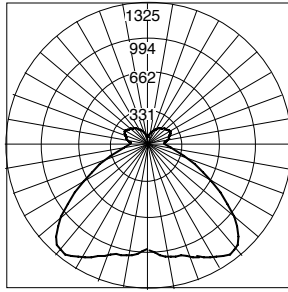


1. Dimension for 175MH/PS = Add. 2" (50)

PR1660/PR1665

PRISMA NOVA 16 - HID/CFL

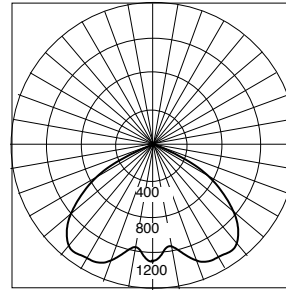
TYPICAL PHOTOMETRY SUMMARY



Descriptive Information
 Total initial Lms: 5200 Lumens (1 lamp)
 Total watts.: 70 W
 Lamps: Comp. Fluorescent
 Total efficiency: 91%
 Max Spacing ratio: 1.7
 CIE Type: Direct

PR1660-F170

Outdoor report Polar graph
 Maximum Candela = 1325 Located at 35°





Descriptive Information
 Total initial Lms: 5200 Lumens (1 lamp)
 Total watts.: 70 W
 Lamps: Comp. Fluorescent
 Total efficiency: 81.5%
 Max Spacing ratio: 1.7
 CIE Type: Direct

PR1665-F170

Outdoor report Polar graph
 Maximum Candela = 1425 Located at 35°

Please visit our web site www.luminis.com for complete I.E.S. formatted download data.

LUMINAIRE SELECTION

MODEL#	LAMP SELECTION ¹	VOLTAGE ²	FINISH																		
 <input type="checkbox"/> PR1660  <input type="checkbox"/> PR1665	METAL HALIDE <table border="1"> <thead> <tr> <th>SUFFIX</th> <th>WATTS</th> <th>LAMP</th> <th>ANSI</th> </tr> </thead> <tbody> <tr> <td><input type="checkbox"/> M70E</td> <td>70W</td> <td rowspan="4">ED17 (Open rated)</td> <td>M98</td> </tr> <tr> <td><input type="checkbox"/> M100E</td> <td>100W</td> <td>M90</td> </tr> <tr> <td><input type="checkbox"/> M150E</td> <td>150W</td> <td>M102</td> </tr> <tr> <td><input type="checkbox"/> M175PS</td> <td>175W</td> <td>M152</td> </tr> </tbody> </table>	SUFFIX	WATTS	LAMP	ANSI	<input type="checkbox"/> M70E	70W	ED17 (Open rated)	M98	<input type="checkbox"/> M100E	100W	M90	<input type="checkbox"/> M150E	150W	M102	<input type="checkbox"/> M175PS	175W	M152	<input type="checkbox"/> 120V <input type="checkbox"/> 277V <input type="checkbox"/> 347V ³	STANDARD COLORS <input type="checkbox"/> WHT Snow white <input type="checkbox"/> BKT Jet black <input type="checkbox"/> BZT Bronze <input type="checkbox"/> MST Matte silver <input type="checkbox"/> GRT Titanium gray <input type="checkbox"/> DGT Gun metal <input type="checkbox"/> CHT Champagne <input type="checkbox"/> GNT Forest green OPTIONAL COLORS <input type="checkbox"/> CS Custom color <input type="checkbox"/> RAL RAL# color (Refer to color chart)	
	SUFFIX	WATTS	LAMP	ANSI																	
<input type="checkbox"/> M70E	70W	ED17 (Open rated)	M98																		
<input type="checkbox"/> M100E	100W		M90																		
<input type="checkbox"/> M150E	150W		M102																		
<input type="checkbox"/> M175PS	175W		M152																		
COMPACT FLUORESCENT <table border="1"> <tbody> <tr> <td><input type="checkbox"/> F142</td> <td>1X42W</td> <td rowspan="14">Gx24q base</td> </tr> <tr> <td><input type="checkbox"/> F157</td> <td>1X57W</td> </tr> <tr> <td><input type="checkbox"/> F170</td> <td>1X70W</td> </tr> <tr> <td><input type="checkbox"/> F232</td> <td>2X32W</td> </tr> <tr> <td><input type="checkbox"/> F242</td> <td>2X42W</td> </tr> <tr> <td><input type="checkbox"/> F257</td> <td>2X57W</td> </tr> <tr> <td><input type="checkbox"/> F270</td> <td>2X70W</td> </tr> <tr> <td><input type="checkbox"/> F426</td> <td>4X26W</td> </tr> <tr> <td><input type="checkbox"/> F432</td> <td>4X32W</td> </tr> <tr> <td><input type="checkbox"/> F442</td> <td>4X42W</td> </tr> </tbody> </table>	<input type="checkbox"/> F142	1X42W	Gx24q base	<input type="checkbox"/> F157	1X57W	<input type="checkbox"/> F170	1X70W	<input type="checkbox"/> F232	2X32W	<input type="checkbox"/> F242	2X42W	<input type="checkbox"/> F257	2X57W	<input type="checkbox"/> F270	2X70W	<input type="checkbox"/> F426	4X26W	<input type="checkbox"/> F432	4X32W	<input type="checkbox"/> F442	4X42W
<input type="checkbox"/> F142	1X42W	Gx24q base																			
<input type="checkbox"/> F157	1X57W																				
<input type="checkbox"/> F170	1X70W																				
<input type="checkbox"/> F232	2X32W																				
<input type="checkbox"/> F242	2X42W																				
<input type="checkbox"/> F257	2X57W																				
<input type="checkbox"/> F270	2X70W																				
<input type="checkbox"/> F426	4X26W																				
<input type="checkbox"/> F432	4X32W																				
<input type="checkbox"/> F442	4X42W																				

OPTIONS (Refer to page 3 for details)

ELECTRICAL

- DM1** One lamp dimming 26/32/42W 120/277V (Philips Mark X)
- DM2** Two lamp dimming 26/32/42W 120/277V (Philips Mark X)
- DM3** One lamp dimming 57/70W 120/277V (Philips Mark X)
- DM4** Two lamp dimming 57W 120/277V (Philips Mark X)
- DMY** Other types of dimming ballasts (See page 3)
- EM** Integral emergency battery back-up - 1 lamp (26/32/42W) 90 min.
- FS** Fuse
- DS1** Separate lamp switching (2 lamp models)
- DS2** Separate lamp switching in pairs (4/6/8 lamp models)
- QRS** Quartz lamp standby restrrike. Max. 100W bayonet lamp. 120-277V
- QS** 120V Max. 100W bayonet lamp base for emergency external power

NOTES

- 1- Unless specified, lamps are not included with luminaires.
- 2- Luminaires are factory prewired for 120V unless otherwise specified.
- 3- 347V on request.

MOUNTING

- CK** Surface ceiling mount
- STC** Safety cable
- STM** Longer hang straight stem. Please add length with option suffix.
- SPG** Silver braided power cord with adjustable suspension cable. 36" in length (other lengths on request)
- TA** 3/4" NPT conduit adaptor

ACCESSORIES

- W16** Frosted acrylic refractor (only available on PR1660)
- D16T** Clear prismatic bottom conical lens
- L17** Clear flat bottom lens
- GL16T** Zinc plated concentric ring guard
- LB16T** Cross blade louver (same color as luminaire).
- BA16** Satin anodized aluminum lower diffuser band
- BC16** Aluminum lower diffuser band same color as luminaire
- RP6** Inner reflector specular aluminum. Exterior same color as luminaire.
- UH** Housing height adjusted to EM model types (applicable to non-EM fixture type for uniform fixture height)

LUMINIS®

LUMINIS | Toll free: 866.586.4647 Fax: 514.683.8872
 260 Labrosse, Pointe-Claire (QC) Canada H9R 5L5

LUMINIS.COM

Luminaires may be altered for design improvement or discontinued without prior notice.
 Unless specified, lamps are not included with luminaires.

PR1660/PR1665


PRISMA NOVA 16 - HID/CFL

OPTIONS

MOUNTING



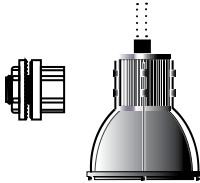
CK
Ceiling surface mounting conversion kit
Max. Watts: 70 MH or 2X42w CFL
Max. Watts with D16-L16 options 50MH or 2X32w CFL



STM
Factory cut to size stems up to 144" lg. (Specify length with STM option suffix. Longer stems are available with coupling. Please consult factory.) 36" lg. Standard stems can be shortened on site.



SPG
4/18 X 36" lg. Silver braided power cable C/W on site adjustable suspension cable. Longer suspension available on request.




TA
3/4" NPT Suspension conduit adaptor. (Conduit by others) Supplied with 3X18 ga.X36" lg. wiring. (Longer wires to be specified.)


ACCESSORIES



D16T
Clear prismatic bottom conical lens with nickel plated clamp ring



L17
Clear Acrylic flat bottom lens with nickel plated clamp ring



LB16T
Cross blade louver (Same color as luminaire)



PR1660 Only
BC16
Aluminum lower diffuser band (Same color as luminaire)

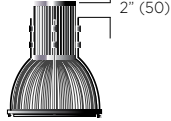


PR1665 Only
RP6
Inner reflector specular aluminum Exterior same color as luminaire



GL16T
Zinc plated flat concentric ring guard

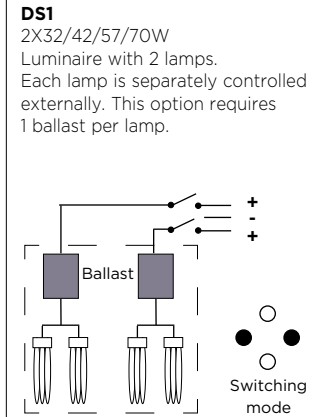
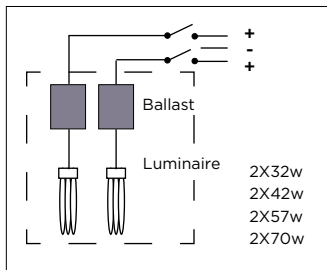
ELECTRICAL



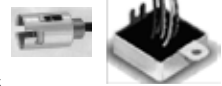
EM
1 lamp (26/32/42W) 90 mnts. Integral emergency battery back-up. Overall dimension is increased by 2" (50) from nominal std. length to accommodate EM ballast.
1X26W 450 Lumens
1X32W 575 Lumens
1X42W 750 Lumens
120/277V only

Standard connection:
Test switch and indicator light are installed with luminaire. Factory pre wired for unswitched luminaire

Option UH:
Uniform OAL with non EM ballast luminaire for same installation is available. All Non EM Luminaires will be increased by 2".



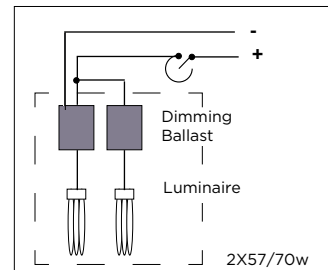
ELECTRICAL



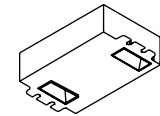
QRS
Quartz restrike standby lamp kit. Power failure: The quartz lamp is energized. Power is restored: Quartz lamp will shut off as H.I.D. Light resumes to full light emission. Max. 100W DC Bayonet base. (Lamp is not included.) (Not applicable with CFL lamps.)



QS
BA15d DC bayonet socket (Quartz lamp not included.) 120V Emergency input power. Separate dedicated wiring for external control. May be used for H.I.D or CFL lamps. Max. 100W



DM1/DM2/DM3 (Mark X)
One dimming ballast for one or two lamps. Mark VII Dimming ballast on request.



DMY
Other types of ballasts or dimming ballasts such as 0-10V Mark VII or Lutron or other brands are available. Please ballast type with DMY option suffix. (Some restrictions may apply)

