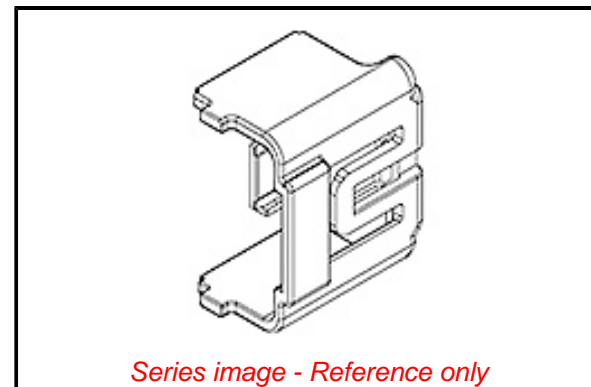


PLEASE CHECK WWW.MOLEX.COM FOR LATEST PART INFORMATION

Part Number: [5055940211](#)
Status: **Active**
Overview: MUO 2.5 Termination Connectors
Description: MUO 2.5 Wire-to-Wire Terminal Position Assurance (TPA) Retainer, 2.50mm Pitch, 2 Circuits, Gray

Documents:

Drawing (PDF)	Packaging Specification 5055949200-200 (PDF)
Product Specification 5055960000-PS-000 (PDF)	RoHS Certificate of Compliance (PDF)
Application Specification 5055960000-AS-000 (PDF)	Product Literature (PDF)
Application Specification 5055960000-AS-001 (PDF)	



General

Product Family	Accessories
Series	505594
Component Type	Terminal Position Assurance
Overview	MUO 2.5 Termination Connectors
Product Literature Order No	987651-7182
Product Name	MUO 2.5, TPA - Term Pos Assurance
UPC	889056530545

Physical

Circuits (Loaded)	2
Circuits (maximum)	2
Color - Resin	Gray
Material - Resin	Polyester
Net Weight	234.000/mg
Number of Rows	2
Packaging Type	Bag
Temperature Range - Operating	-40° to +105°C

Material Info

Reference - Drawing Numbers

Application Specification	5055960000-AS-000, 5055960000-AS-001
Packaging Specification	5055949200-200
Product Specification	5055960000-PS-000
Sales Drawing	5055940000-SD-000

EU ELV

Not Relevant

EU RoHS

Compliant

REACH SVHC

Not Contained Per -
ED/61/2018 (27 June
2018)

Halogen-Free

Status

Not Low-Halogen

Need more information on product environmental compliance?

Email productcompliance@molex.com
Please visit the [Contact Us](#) section for any non-product compliance questions.

China ROHS	Green Image
ELV	Not Relevant
RoHS Phthalates	Not Contained

Search Parts in this Series

[505594 Series](#)

Use With

MUO 2.5 Housing [505596](#)