

PLEASE CHECK WWW.MOLEX.COM FOR LATEST PART INFORMATION

Part Number: [0945504207](#)
Status: **Active**
Overview: [rast 5 connector system](#)
Description: 5.00mm (.197") Pitch, Rast 5, PA Polyamide (Nylon) 6/6, UL 94V-2, 7 Circuits, Natural, Glow Wire Compatible

Documents:

[3D Model](#) [Product Specification PS-94550-001 \(PDF\)](#)
[Drawing \(PDF\)](#) [RoHS Certificate of Compliance \(PDF\)](#)

General

Product Family Crimp Housings
 Series [94550](#)
 Overview [rast 5 connector system](#)
 Product Name RAST 5

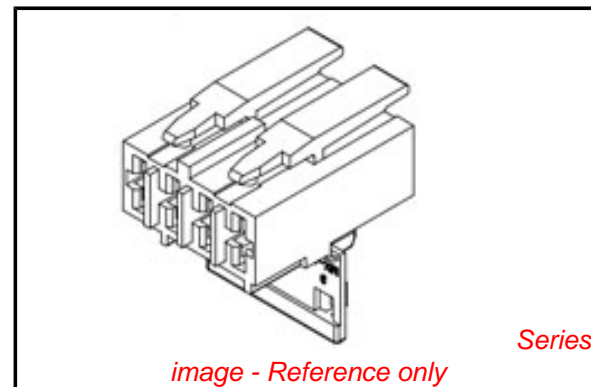
Physical

Breakaway No
 Circuits (maximum) 7
 Color - Resin Natural
 Gender Female
 Glow-Wire Compliant Yes
 Lock to Mating Part Yes
 Material - Resin Nylon
 Number of Rows 1
 Packaging Type Bag
 Panel Mount No
 Pitch - Mating Interface (in) 0.197 In
 Pitch - Mating Interface (mm) 5.00 mm
 Pitch - Term. Interface (in) 0.197 In
 Pitch - Term. Interface (mm) 5.00 mm
 Polarized to Mating Part Yes
 Ports 1
 Stackable No
 Temperature Range - Operating -40°C to +85°C

Material Info

Reference - Drawing Numbers

Product Specification PS-94550-001
 Sales Drawing SD-94550-031
 Test Summary TS-94550-002



EU RoHS

**ELV and RoHS
 Compliant**
**REACH SVHC
 Not Reviewed**
**Halogen-Free
 Status
 Not Reviewed**

China RoHS



**Need more information on product
 environmental compliance?**

Email productcompliance@molex.com
 For a multiple part number RoHS Certificate of
 Compliance, [click here](#)

Please visit the [Contact Us](#) section for any
 non-product compliance questions.

Search Parts in this Series

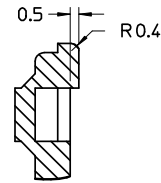
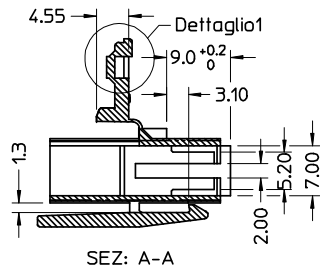
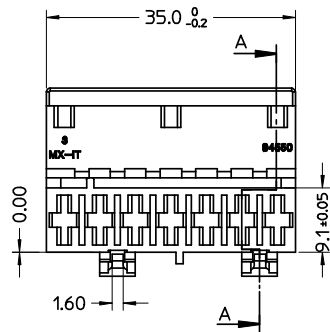
[94550Series](#)

Mates With

Rast 5 Headers, [90858](#) Vertical Header,
[90879](#) Right Angle Header

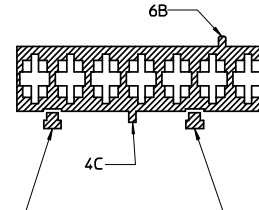
Use With

[94518](#) Crimp Terminal, [94549](#) Crimp
 Terminal



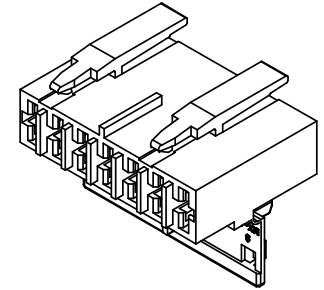
Dettaglio1
SCALA 5:1

CONFIGURAZIONE POLARIZZAZIONI
POLARIZATION CONFIGURATION



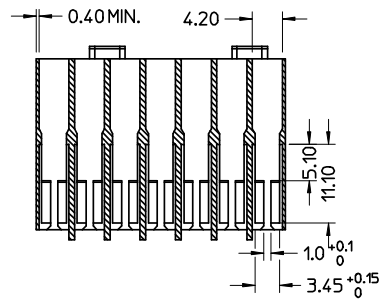
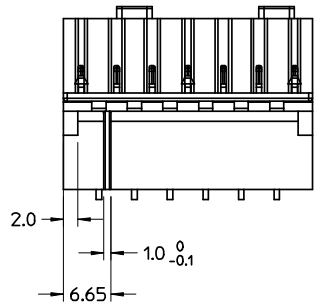
AGGANCI
LATCHES

SEZ: C-C

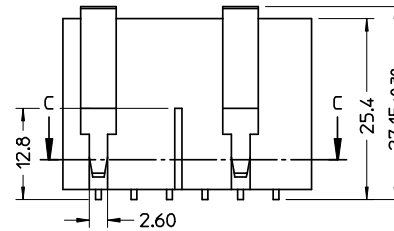
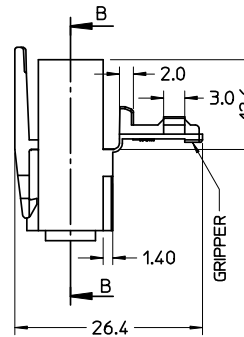


- NOTE:
- USATO CON TERMINALE 94518-0XXX E 94549-0XXX
 - SPECIFICA DI RIFERIMENTO PER IL CONNETTORE PS-94550-001
 - PER CARATTERISTICHE DI CRIMPATURA RIF. SD-94518-005 E SD-94549-001
 - FORZA DI DISACCOPIAMENTO CONNETTORE (TRAZIONANDO DAI CAVI SENZA AZIONARE L'AGGANCI): 60 N MIN.
 - SPESSORE MINIMO PARETI CONNETTORE 0.40 mm.

- NOTE:
- USED WITH TERMINALS 94518-0XXX AND 94549-0XXX
 - REFER TO PS-94550-001 FOR CONNECTOR SPECIFICATION
 - REFER TO SD-94518-005 FOR AND SD-94549-001 CRIMPING CHARACTERISTICS
 - CONNECTOR DISENGAGEMENT FORCE (PULLING BY THE WIRES, WITHOUT ACTUATING THE LATCH): 60 N MIN.
 - MINIMUM CONNECTOR WALL THICKNESS 0.40 mm.



SEZ: B-B



MATERIALE: NYLON 6.6 GWT 750°C SEC. IEC 60335-1
TEST METHOD IEC 60695-2-11 COLORE NATURALE

MATERIAL: NYLON 6.6 GWT 750°C SEC. IEC 60335-1
TEST METHOD IEC 60695-2-11 NATURAL

CONFEZIONE: Box da 900 Pz.
PACKAGING: 900 pcs in carton box

SPQ =900

Std. Descr: 'HSG W/SEC LOCK AND LATCHES 7 CKT _____ COLOR'

EC NO: Z2006-0211 DRWN:FGOTTARDI 2006/06/05 CHKD:RSANDANO 2006/06/05 APPR:GZUIN 2006/06/07	DESCRIPTION HSG 7 CKT WITH SEC. LOCK AND EXTERNAL LATCH	QUALITY SYMBOLS	GENERAL TOLERANCES (UNLESS SPECIFIED)	SCALE 2:1	DESIGN UNITS METRIC	FIRST ANGLE PROJECTION	REVISE ON CAD ONLY													
		$\nabla = 0$ $\nabla C = 0$	<table border="1"> <tr> <th></th> <th>mm</th> <th>INCH</th> </tr> <tr> <td>4 PLACES</td> <td>± ---</td> <td>± ---</td> </tr> <tr> <td>3 PLACES</td> <td>± ---</td> <td>± ---</td> </tr> <tr> <td>2 PLACES</td> <td>± 0.10</td> <td>± ---</td> </tr> <tr> <td>1 PLACE</td> <td>± 0.2</td> <td>± ---</td> </tr> </table>		mm	INCH	4 PLACES	± ---	± ---	3 PLACES	± ---	± ---	2 PLACES	± 0.10	± ---	1 PLACE	± 0.2	± ---	DIMENSION STYLE MM ONLY	TITLE HSG 7 CKT WITH SEC. LOCK AND EXTERNAL LATCH
			mm	INCH																
		4 PLACES	± ---	± ---																
3 PLACES	± ---	± ---																		
2 PLACES	± 0.10	± ---																		
1 PLACE	± 0.2	± ---																		
DRAFT WHERE APPLICABLE	<table border="1"> <tr> <td>DRAWN BY</td> <td>DATE</td> </tr> <tr> <td>FGOTTARD 2006/05/25</td> <td></td> </tr> <tr> <td>CHECKED BY</td> <td>DATE</td> </tr> <tr> <td>RSANDANO 2006/05/25</td> <td></td> </tr> <tr> <td>APPROVED BY</td> <td>DATE</td> </tr> <tr> <td>GZUIN 2006/05/25</td> <td></td> </tr> </table>	DRAWN BY	DATE	FGOTTARD 2006/05/25		CHECKED BY	DATE	RSANDANO 2006/05/25		APPROVED BY	DATE	GZUIN 2006/05/25		MATERIAL NO. 94550-4207	DOCUMENT NO. SD-94550-031	SHEET NO. 1 OF 1				
DRAWN BY	DATE																			
FGOTTARD 2006/05/25																				
CHECKED BY	DATE																			
RSANDANO 2006/05/25																				
APPROVED BY	DATE																			
GZUIN 2006/05/25																				
1	MUST REMAIN WITHIN DIMENSIONS	THIS DRAWING CONTAINS INFORMATION THAT IS PROPRIETARY TO MOLEX INCORPORATED AND SHOULD NOT BE USED WITHOUT WRITTEN PERMISSION			A2															