

ATLANTIC VERSION TERMINATOR INTERFACE ADAPTER	PART NUMBER	REVISION	DESCRIPTION	FEED TYPE	APPLICATOR STYLE CONVERSION CHART						
					CONVERT TO	PART NUMBERS REQUIRED					
	2151340-2	B	FINE CRIMP HEIGHT ADJUST	PNEUMATIC	-	-	-	-	-	-	
					SERVO LATCH PLATE	2119951-1	-	8-2151340-5	1901094-3	-	2168400-6 (QUANTITY 2)
					SMART APPLICATOR	2161326-1	-	8-2151340-4	-	-	-
	2151340-5	B	FINE CRIMP HEIGHT ADJUST	SERVO LATCH PLATE 4	-	-	-	-	-	-	-
					PNEUMATIC FEED	2119950-1	-	-	2119641-1	2119799-1	2063440-3
	2151340-6	B	NON-CRIMP HEIGHT ADJUST	SERVO LATCH PLATE 12	-	-	-	-	-	-	-
	2151340-7	B	FINE CRIMP HEIGHT ADJUST	NONE	-	-	-	-	-	-	-
7-2151340-7	A	CRIMP TOOLING KIT	-	-	-	-	-	-	-	-	

APPLICATOR DATA		
CRIMP SIZE	TYPE	
WIRE 2.79 mm [.110]	F	
INSUL 4.57 mm [.180]	F	

APPLICATOR INSTRUCTIONS 408-10389

TERMINAL DATA: TE TERMINAL	TE CRIMP SPECIFICATION
TERMINAL NAME: RECEPTACLE, HEAVY DUTY BURNER CONNECTOR	
WIRE STRIP LENGTH 4.70-5.40 mm [.185-.213 IN]	INSULATION DIAMETER RANGE 3.96 mm [.156 IN]
TERMINAL APPLICATION SPECIFICATION 114-1028	
TERMINALS APPLIED	
TE TERMINAL 640748-1	TE TERMINAL 640748-7

WIRE SIZE	CRIMP HEIGHT mm [INCH]	CRIMP HEIGHT REFERENCE SETTING
14 AWG	1.88+/-0.05 [.074+/-0.002]	2.4
16 AWG	1.65+/-0.05 [.065+/-0.002]	5.1
18 AWG	1.47+/-0.05 [.058+/-0.002]	7.2

- RECOMMENDED SPARE PARTS
- GREASE BEARING SURFACES LIGHTLY
- 3. LUBRICATE DAILY PER THE APPLICATOR INSTRUCTION SHEET SUPPLIED WITH THE APPLICATOR.
- APPLICATOR SPECIFIC DATA TO BE ENTERED INTO BLANK MEMORY CHIP AT ASSEMBLY. SEE BELOW FOR PART NUMBER:
 - PNEUMATIC FEED WITH "SMART APPLICATOR" CONVERSION: 8-2151340-4
 - SERVO FEED WITH "FINE CRIMP HEIGHT ADJUST": 8-2151340-5
 - SERVO FEED WITH "NON-CRIMP HEIGHT ADJUST": 8-2151340-6
- 5. ADJUSTMENT OF THE STRIPPER MAY BE REQUIRED WHEN MOVING THE APPLICATOR BETWEEN BENCH AND LEADMAKER APPLICATIONS.
- APPLY PART NUMBER 1-23419-5 LOCTITE TO THREADS OF ITEMS 50, 62 & 242. FOR -6 ONLY APPLY PART NUMBER 1-23419-5 LOCTITE TO THREADS OF ITEMS 37, 50 & 242.
- GREASE THREADS, GROOVE AND O-RING ON ITEMS 35 & 252.
- MAGNET, ITEM 166 MUST BE ORIENTED CORRECTLY IN ORDER TO PROPERLY ACTUATE THE COUNTER.
- CRIMP HEIGHT REFERENCE SETTING WAS THE SETTING USED WHEN THE APPLICATOR WAS QUALIFIED AT THE FACTORY. ADJUSTMENT MAY BE NECESSARY WHEN RUNNING APPLICATOR IN THE FIELD.
- TERMINAL PITCH NOT COMPATIBLE WITH MECHANICAL FEED.
- TO CONVERT THE APPLICATOR TO A NON-CARRIER CUTTING STYLE, REMOVE ITEM 13 AND ATTACH TO THE LOCATION ON THE BACK SIDE OF THE HOUSING. REFER TO INSTRUCTION SHEET FOR ADDITIONAL INFORMATION.
- WHEN ASSEMBLING -6 NON-CRIMP HEIGHT ADJUST APPLICATOR USE SHIM PACK 2119957-2 TO ALIGN APPLICATOR'S MAXIMUM WIRE CRIMP HEIGHT AT NORMAL TERMINATOR SHUT HEIGHT

***WARNING**
 ON INSTALLATION, SET WIRE DISC, ITEM 40 TO LARGEST WIRE SIZE SETTING. USE OF SETTINGS BELOW MINIMUM REQUIRED CRIMP HEIGHT SETTING WILL CAUSE DAMAGE TO CRIMP TOOLING.

-	-	1	-	-	2119957-2	APPLICATOR SHIM PACK	260
-	1	-	1	1	8-21084-0	O-RING, .676 ID, .070 DIA. MAT.	252
-77	-7	-6	-5	-2	PART NO	DESCRIPTION	ITEM NO

ATLANTIC VERSION
 Shown on sheets 1 of 4 & 2 of 4
 (Pacific version shown on sheets 3 of 4 & 4 of 4)

SET UP GAUGE	LOC	DIST	REVISIONS				
2119599-1	A	66	P LTR	DESCRIPTION	DATE	OWN	APVD
	A		RELEASE		06DEC2012	XZ	TE
	B		ECR-13-013653		29AUG2013	XZ	TE

-	-	-	-	1	2119640-1	PUSH ROD, AIR FEED	250
-	-	-	-	1	2079988-1	BUSHING, LCH5-12, MISUMI	249
-	-	-	-	1	2119641-1	FEED CAM, AIR FEED	248
-	1	-	1	1	2119798-1	DETENT PIN	247
-	1	-	1	1	1-22279-3	SPRING, COMPRESSION	246
-	-	1	-	-	2119758-1	RAM, AMP STYLE, SIDE FEED, NON-ADJ.	245
-	1	1	1	1	2119082-9	CAM, SNAIL, INSULATION ADJUSTMENT	244
-	1	1	1	1	2079764-1	WASHER, WAVE SPRING, CREST-TO-CREST	243
-	1	1	1	1	2119083-1	RETAINER, INSULATION DIAL	242
-	1	1	1	1	7-18023-7	SCR, SKT HD CAP M3 X 4.0	241
-	-	2	2	-	2168400-6	SHCS, LOW HEAD, RoHS, M5 X 16	240
-	-	-	-	1	2063440-3	AIR FEED MODULE	238
-	-	1	1	-	2119740-2	TAG, IDENTIFICATION	213
-	-	1	1	-	1901094-3	SPACER, FEEDER	198
-	1	1	1	1	993111-1	PIN, SLOTTED SPRING 3.0 X 20.0	177
-	1	1	1	1	8-22280-7	SPRING, COMPRESSION	176
-	1	1	1	1	1752353-2	GUIDE PIN, HOLDDOWN	175
-	1	1	1	1	1901680-2	GUIDE PIN, HOLDDOWN	174
-	-	-	-	2	21045-3	RING, RETAIN, EXTERN, 3/16 CRESCENT	172
-	1	1	1	1	994969-1	MAGNET, RARE EARTH HIGH ENERGY	166
-	REF	REF	REF	REF	994970-2	COUNTER, MAGNETIC	164
-	-	-	-	1	240638-1	SPRING, FEED FINGER	163
-	-	-	-	1	3-23627-7	PIN, RETAIN, GRVD, 3/16 X .854	137
-	-	-	-	1	2119799-1	HOLDER, FEED FINGER, AF	136
-	-	REF	REF	-	SEE NOTE 4	MEMORY CHIP, PROGRAMMED	135
-	-	1	1	-	1633743-1	SERVO FEED LATCH ASM	133
-	1	1	1	1	318563-1	GUARD, FRONT CHIP	119
-	-	REF	REF	-	2119944-1	FEED FINGER ASSEMBLY, SF	117
-	1	1	1	1	455888-7	SPACER, CRIMPER	82
-	1	1	1	1	2119956-1	DOCUMENTATION PACKAGE	71
-	1	-	-	1	2119740-1	TAG, IDENTIFICATION	67
-	2	2	2	2	2168078-1	SCREW, DRIVE, RH, RoHS, 2 x .188	66
-	1	-	1	1	2119793-1	LIMITER, ADJUSTMENT BOLT	63
-	3	-	3	3	992763-5	SCR, SET, SOC, CONE POINT, M3 x 4.0	62
-	1	1	1	1	2079383-4	SCR, BHSC, RoHS (M4 X 8)	60
-	-	-	-	1	5-18022-5	SCR, HEX HD CAP, M4 X 6.0	59
-	-	-	-	1	1338683-8	FEED PAWL	56
-	4	4	4	4	2168400-1	SHCS, LOW HEAD, RoHS, M4 X 12	54
-	1	1	1	1	1-5018030-0	NUT, HEX, REG, RoHS, M3.5	52
-	1	1	1	1	1901681-1	HOLDDOWN, TERMINAL	51
-	1	1	1	1	3-1752354-3	STANDOFF, HOLD-DOWN	50
-	-	-	-	1	18023-9	SCR, SKT HD CAP M4 X 6.0	49
-	1	1	1	1	2119656-9	APPLICATOR BASIC ASSEMBLY, SF	46
-	1	-	1	1	2119370-1	RAM, AMP STYLE, SIDE FEED	44
-	1	1	1	1	2079383-7	SCR, BHSC, RoHS (M8 X 25)	41
-	1	-	1	1	2119645-1	DISC, NUMBERED FA WIRE ADJUSTMENT	40
-	1	-	1	1	2119957-1	APPLICATOR SHIM PACK	39
-	1	1	1	1	1-2119644-2	RAM WASHER, PRECISION	38
-	1	1	1	1	2119085-1	FA HEAD, ATLANTIC STYLE	37
-	1	-	1	1	2119092-1	BOLT, ADJUSTMENT	35
-	1	1	1	1	1752356-1	SUPPORT, TERMINAL	34
-	2	2	2	2	1-2079383-3	SCR, BHSC, RoHS (M4 X 25)	33
-	1	1	1	1	2161328-1	HEX HEAD, FLANGED, M5 x 8mm LONG	32
-	1	1	1	1	2-1320908-2	SPACER, STRIP GUIDE	30
-	1	1	1	1	2119959-1	ASSEMBLY, STRIP GUIDE	29
-	1	1	1	1	1-455888-0	SPACER, CRIMPER	28
-	1	1	1	1	1320928-2	STRIP GUIDE	24
-	1	1	1	1	2168083-2	SCR, SKT HD CAP, RoHS, M4 X 8.0	21
-	1	1	1	1	1-18028-2	WASHER, FLAT, REG M4	20
-	1	1	1	1	2119533-1	STRIPPER, SIDE FEED	19
-	1	1	1	1	2119806-1	INSERT, SHEAR	13
-	1	1	1	1	3-22280-3	SPRING, COMPRESSION	12
-	1	1	1	1	1-356885-4	STOP, SHEAR	11
-	1	1	1	1	2119805-1	SHEAR HOLDER, FRONT	10
-	1	1	1	1	454276-5	FLOATING SHEAR, FRONT	9
1	1	1	1	1	1633134-3	ANVIL, COMBINATION .110	8
-	-	-	-	-	-	-	7
-	-	-	-	-	-	-	6
-	1	1	1	1	2119757-8	DEPRESSOR, SHEAR	5
-	1	1	1	1	238011-2	BLOCK, CRIMPER SPACER	4
1	1	1	1	1	2119582-3	CRIMPER, INSULATION F PREMIUM	3
-	1	1	1	1	455888-7	SPACER, CRIMPER	2
1	1	1	1	1	456408-3	CRIMPER, WIRE PREMIUM	1
-77	-7	-6	-5	-2	PART NO	DESCRIPTION	ITEM NO

DIMENSIONS:		TOLERANCES UNLESS OTHERWISE SPECIFIED:		DRAWING NO	
mm	0 PLC ±.5	1 PLC ±.5	2 PLC ±.13	3 PLC ±.013	4 PLC ±.0001
	ANGLES ±.0001	FINISH			

OWN	CHE	DATE	NAME
X ZHAO	T ELBIN	19MAR2012	
S XI		19MAR2012	

STE TE Connectivity
 Harrisburg, PA 17105-3608

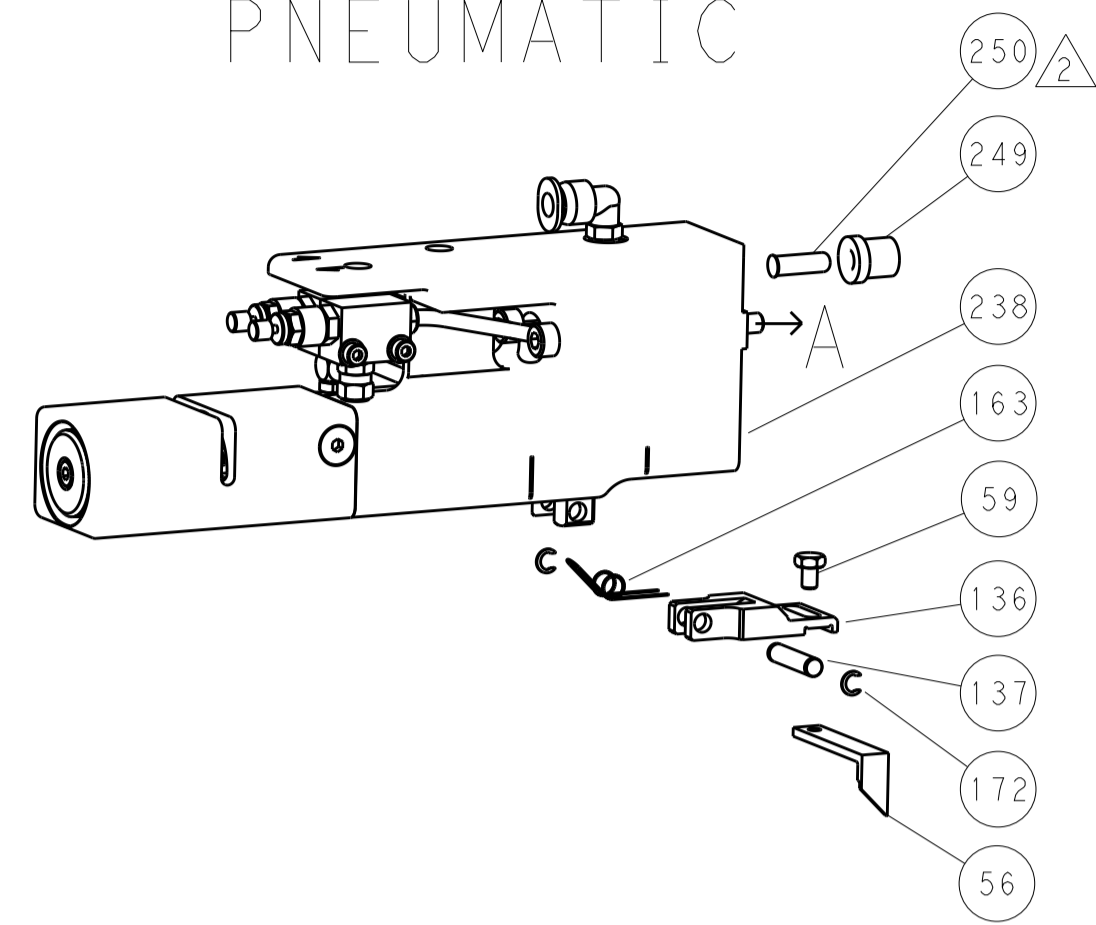
Ocean Side Feed
 Applicator

SIZE: A1 CAGE CODE: 00779 DRAWING NO: 2151340 RESTRICTED TO: B

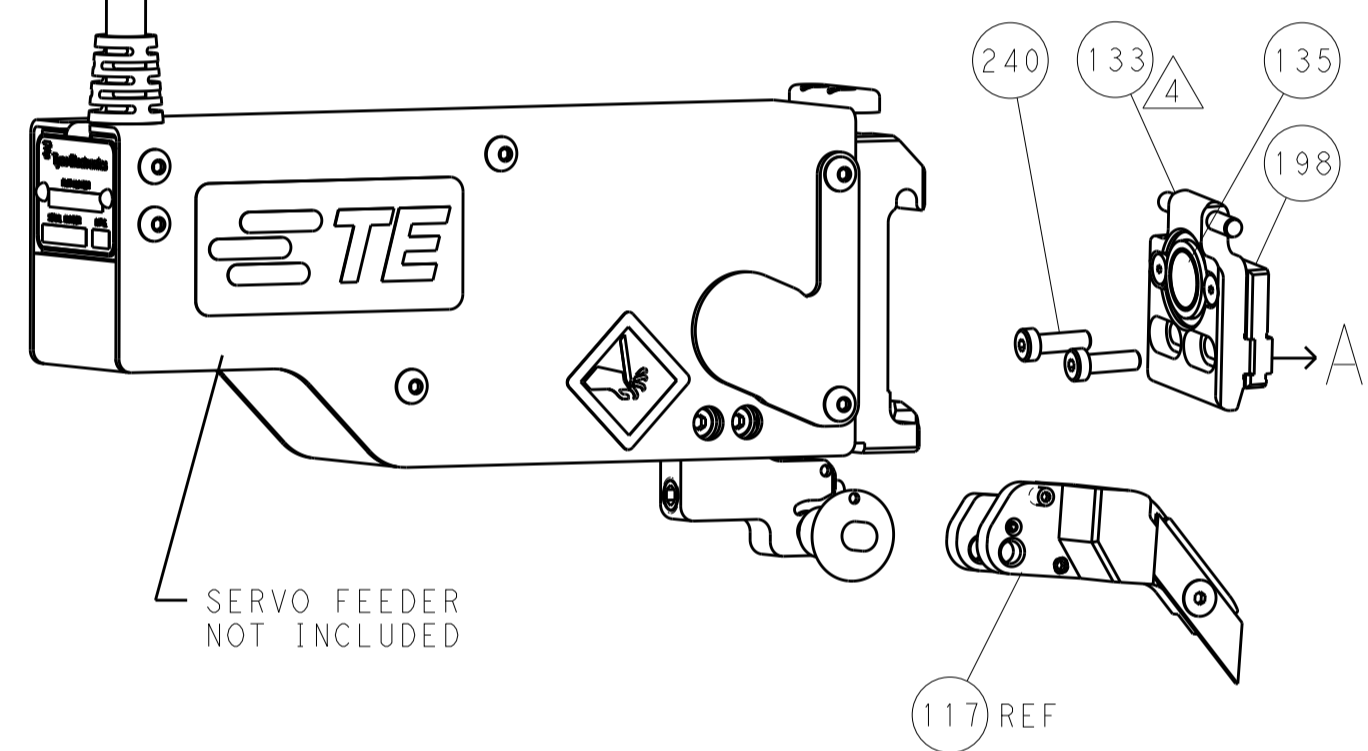
Customer Accessible Production Drawing SCALE: 1:2 SHEET 1 OF 4 REV: B

LOC		DIST		REVISIONS			
A	66	P	LTM	DESCRIPTION	DATE	OWN	APVD
		-	-	SEE SHEET 1	-	-	-

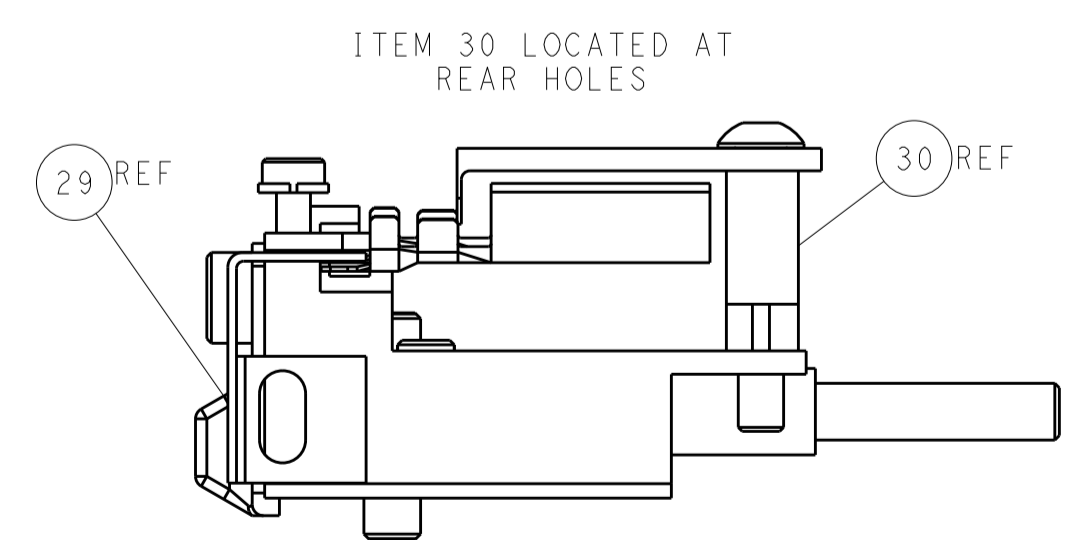
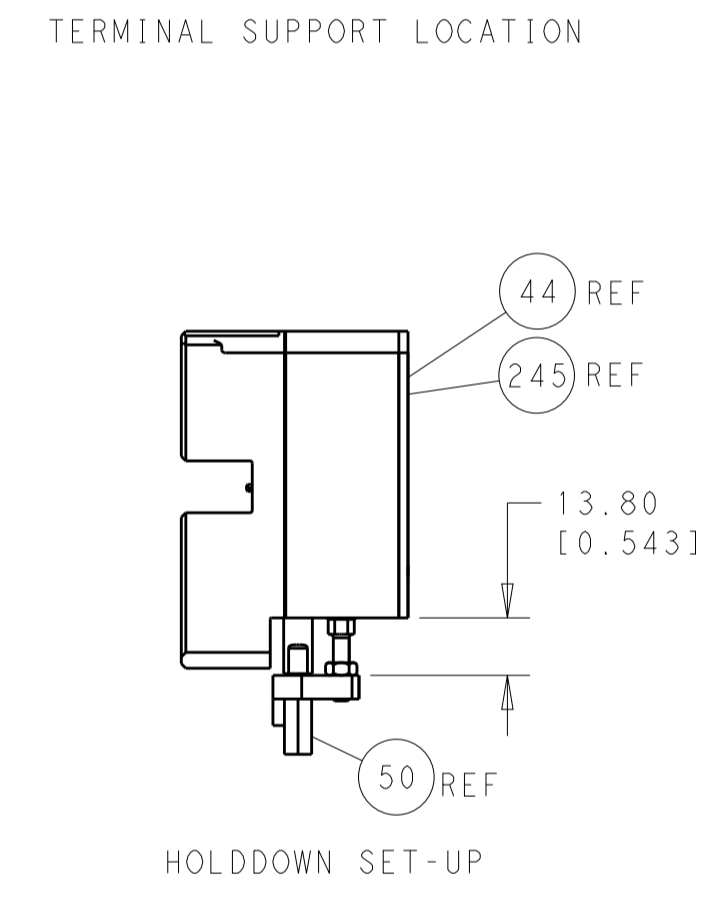
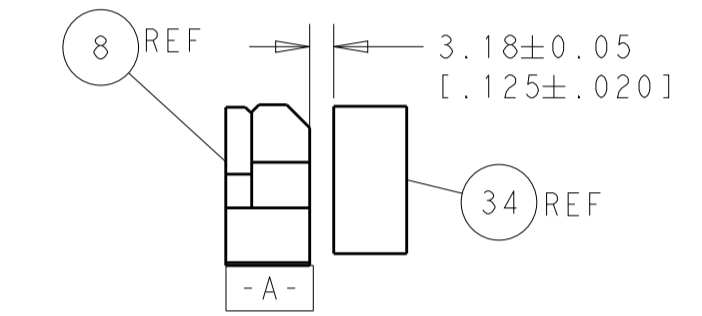
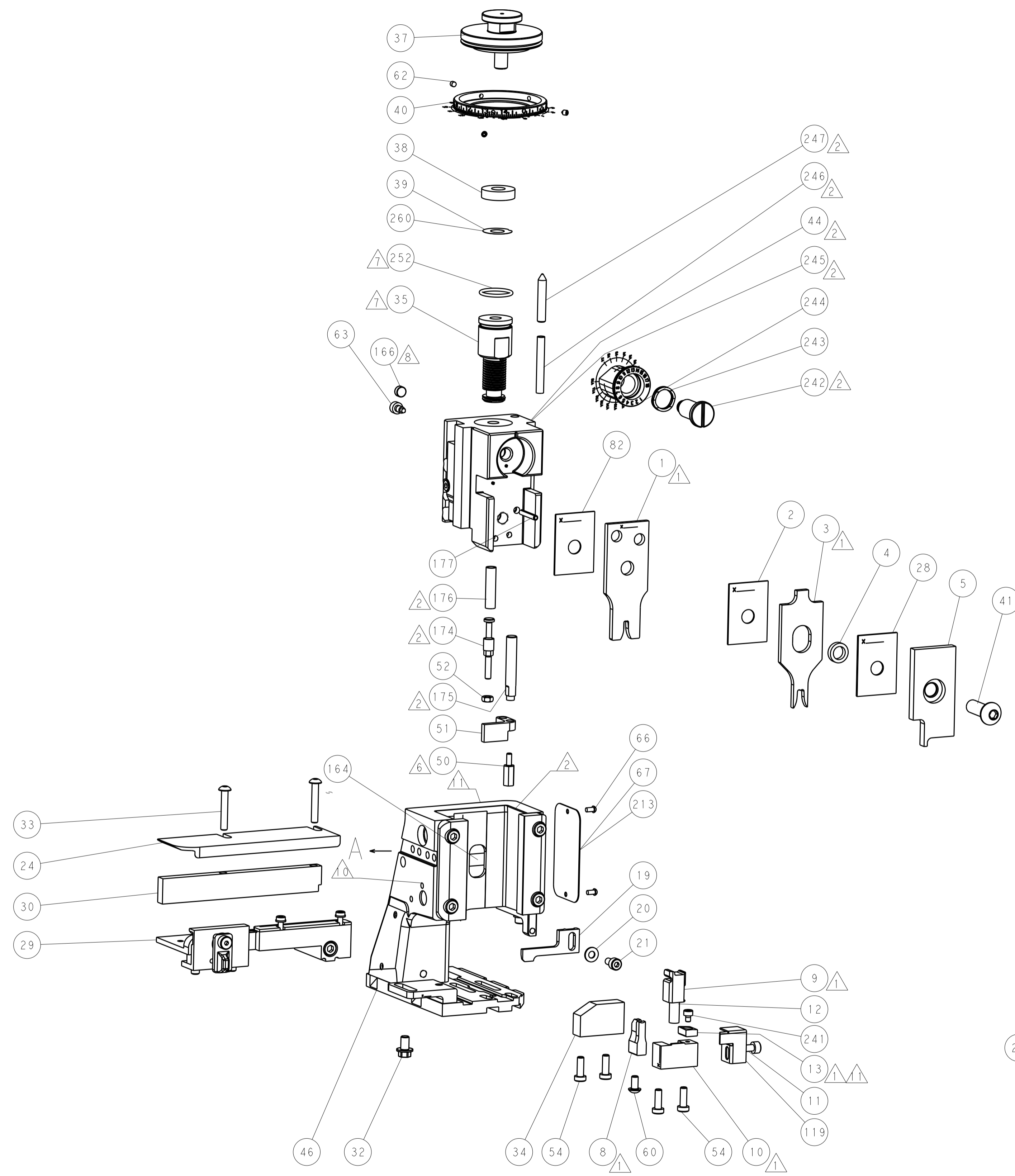
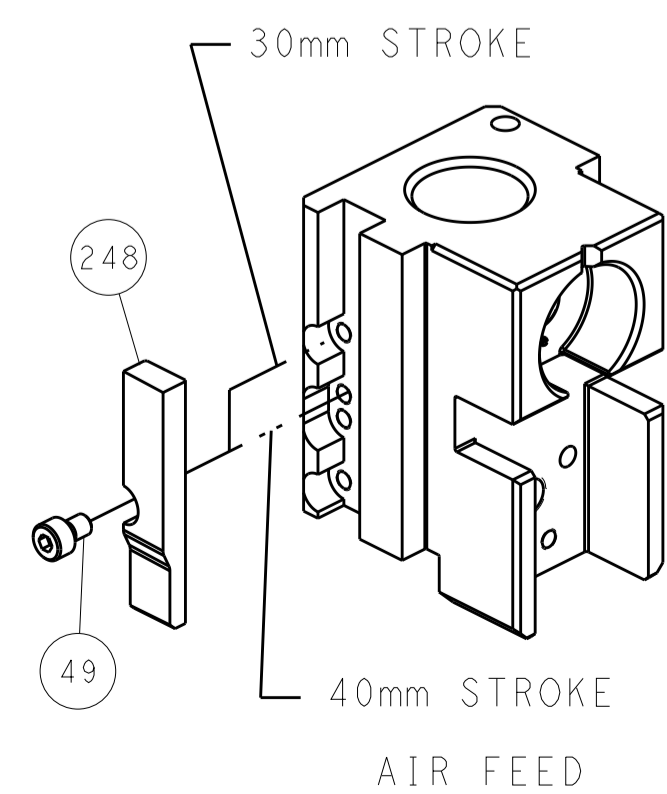
FEED TYPE PNEUMATIC



SERVO LATCH PLATE



CAM POSITION



ATLANTIC VERSION
 Shown on sheets 1 of 4 & 2 of 4
 (Pacific version shown on sheets 3 of 4 & 4 of 4)

DIMENSIONS:		TOLERANCES UNLESS OTHERWISE SPECIFIED:		DWN X ZHAO 19MAR2012		TE Connectivity	
mm	0 PLC ±0.5	1 PLC ±0.5	2 PLC ±0.13	3 PLC ±0.013	4 PLC ±0.001	APVD S XI 19MAR2012	Harrisburg, PA 17105-3608
MATERIAL:		FINISH:		NAME		Ocean Side Feed Applicator	
Customer Accessible Production Drawing		SCALE 1:2		SHEET 2 OF 4		REV B	

PACIFIC VERSION TERMINATOR INTERFACE ADAPTER	PART NUMBER	REVISION	DESCRIPTION	FEED TYPE	APPLICATOR STYLE CONVERSION CHART						
					CONVERT TO	PART NUMBERS REQUIRED					
	2-2151340-2	B	FINE CRIMP HEIGHT ADJUST	PNEUMATIC	SERVO LATCH PLATE	2119951-1	-	8-2151340-5	1901094-3	-	2168400-6 (QUANTITY 2)
					SMART APPLICATOR	2161326-1	-	8-2151340-4	-	-	
	2-2151340-5	B	FINE CRIMP HEIGHT ADJUST	SERVO LATCH PLATE	PNEUMATIC FEED	2119950-1	-	-	2119641-2	2119799-1	2063440-3
					NONE	-	-	-	-	-	
7-2151340-7	A	CRIMP TOOLING KIT	-	-	-	-	-	-	-	-	

APPLICATOR DATA		
CRIMP	SIZE	TYPE
WIRE	2.79 mm [.110]	F
INSUL	4.57 mm [.180]	F
APPLICATOR INSTRUCTIONS 408-10389		

TERMINAL DATA: TE TERMINAL		TE CRIMP SPECIFICATION	
TERMINAL NAME: RECEPTACLE, HEAVY DUTY BURNER CONNECTOR			
WIRE STRIP LENGTH 4.70-5.40 mm [.185-.213 IN]		INSULATION DIAMETER RANGE \varnothing 3.96 mm [.156 IN]	
TERMINAL APPLICATION SPECIFICATION 114-1028			
TERMINALS APPLIED			
TE TERMINAL	TE TERMINAL	TE TERMINAL	TE TERMINAL
640748-1	640748-7		

WIRE SIZE	CRIMP HEIGHT mm [INCH]	CRIMP HEIGHT REFERENCE SETTING
14 AWG	1.88+/-0.05 [.074+/-0.002]	2.4
16 AWG	1.65+/-0.05 [.065+/-0.002]	5.1
18 AWG	1.47+/-0.05 [.058+/-0.002]	7.2

- RECOMMENDED SPARE PARTS
- GREASE BEARING SURFACES LIGHTLY
- 3. LUBRICATE DAILY PER THE APPLICATOR INSTRUCTION SHEET SUPPLIED WITH THE APPLICATOR.
- APPLICATOR SPECIFIC DATA TO BE ENTERED INTO BLANK MEMORY CHIP AT ASSEMBLY. SEE BELOW FOR PART NUMBER:
PNEUMATIC FEED WITH "SMART APPLICATOR" CONVERSION: 8-2151340-4
SERVO FEED WITH "FINE CRIMP HEIGHT ADJUST": 8-2151340-5
- 5. ADJUSTMENT OF THE STRIPPER MAY BE REQUIRED WHEN MOVING THE APPLICATOR BETWEEN BENCH AND LEADMAKER APPLICATIONS.
- APPLY PART NUMBER 1-23419-5 LOCTITE TO THREADS OF ITEMS 50, 62 & 242.
- GREASE THREADS, GROOVE AND O-RING ON ITEMS 139 & 152.
- MAGNET MUST BE ORIENTED CORRECTLY IN ORDER TO PROPERLY ACTUATE THE COUNTER.
- CRIMP HEIGHT REFERENCE SETTING WAS THE SETTING USED WHEN THE APPLICATOR WAS QUALIFIED AT THE FACTORY. ADJUSTMENT MAY BE NECESSARY WHEN RUNNING APPLICATOR IN THE FIELD.
- TERMINAL PITCH NOT COMPATIBLE WITH MECHANICAL FEED.
- TO CONVERT THE APPLICATOR TO A NON-CARRIER CUTTING STYLE, REMOVE ITEM 13 AND ATTACH TO THE LOCATION ON BACK SIDE OF THE HOUSING. REFER TO INSTRUCTION SHEET FOR ADDITIONAL INFORMATION.

*WARNING
ON INSTALLATION, SET WIRE DISC, ITEM 40 TO LARGEST WIRE SIZE SETTING. USE OF SETTINGS BELOW MINIMUM REQUIRED CRIMP HEIGHT SETTING WILL CAUSE DAMAGE TO CRIMP TOOLING.

SET UP GAUGE	LOC	DIST	REVISIONS					
2119599-1	A	66	P	LTN	DESCRIPTION	DATE	OWN	APVD
			-	-	SEE SHEET 1		-	-

-	1	1	1	2119782-1	FINE ADJUST HEAD ASM, PACIFIC STYLE	251	
-	-	-	1	2119640-1	PUSH ROD, AIR FEED	250	
-	-	-	1	2079988-1	BUSHING, LCH5-12, MISUMI	249	
-	1	1	1	1-22279-3	SPRING, COMPRESSION	246	
-	1	1	1	2119082-9	CAM, SNAIL, INSULATION ADJUSTMENT	244	
-	1	1	1	2079764-1	WASHER, WAVE SPRING, CREST-TO-CREST	243	
-	1	1	1	2119083-1	RETAINER, INSULATION DIAL	242	
-	1	1	1	7-18023-7	SCR, SKT HD CAP M3 X 4.0	241	
-	-	2	-	2168400-6	SHCS, LOW HEAD, RoHS, M5 X 16	240	
-	-	-	1	2063440-3	AIR FEED MODULE	238	
-	-	1	-	2119740-2	TAG, IDENTIFICATION	213	
-	-	1	-	1901094-3	SPACER, FEEDER	198	
-	1	1	1	993111-1	PIN, SLOTTED SPRING 3.0 X 20.0	177	
-	1	1	1	8-22280-7	SPRING, COMPRESSION	176	
-	1	1	1	1752353-2	GUIDE PIN, HOLDDOWN	175	
-	1	1	1	1901680-2	GUIDE PIN, HOLDDOWN	174	
-	-	-	2	21045-3	RING, RETAIN, EXTERN, 3/16 CRESCENT	172	
-	1	1	1	994969-1	MAGNET, RARE EARTH HIGH ENERGY	166	
-	REF	REF	REF	994970-2	COUNTER, MAGNETIC	164	
-	-	-	1	240638-1	SPRING, FEED FINGER	163	
-	1	1	1	8-21084-1	O-RING, .801 ID, .070 DIA, MAT.	152	
-	-	-	1	2119641-2	FEED CAM, AIR FEED	151	
-	1	1	1	2119798-2	DETENT PIN	145	
-	1	1	1	2079383-8	SCR, BHSC, RoHS (M4 X 16)	144	
-	4	4	4	2168400-5	SHCS, LOW HEAD, RoHS, M4 X 20	143	
-	1	1	1	1-2119656-0	APPLICATOR BASIC ASSEMBLY, SF	141	
-	1	1	1	2119650-1	RAM, ASIAN STYLE, SIDE FEED	140	
-	1	1	1	2119092-2	BOLT, ADJUSTMENT	139	
-	-	-	1	3-23627-7	PIN, RETAIN, GRVD, 3/16 X .854	137	
-	-	-	1	2119799-1	HOLDER, FEED FINGER, AF	136	
-	-	REF	-	SEE NOTE 4	MEMORY CHIP, PROGRAMMED	135	
-	-	1	-	1633743-1	SERVO FEED LATCH ASM	133	
-	1	1	1	318563-1	GUARD, FRONT CHIP	119	
-	-	REF	-	2119944-1	FEED FINGER ASSEMBLY, SF	117	
-	1	1	1	455888-7	SPACER, CRIMPER	82	
-	1	1	1	2119956-1	DOCUMENTATION PACKAGE	71	
-	1	-	1	2119740-1	TAG, IDENTIFICATION	67	
-	2	2	2	2168078-1	SCREW, DRIVE, RH, RoHS, 2 x .188	66	
-	1	1	1	2119793-1	LIMITER, ADJUSTMENT BOLT	63	
-	3	3	3	992763-5	SCR, SET, SOC, CONE POINT, M3 X 4.0	62	
-	-	-	1	5-18022-5	SCR, HEX HD CAP, M4 X 6.0	59	
-	-	-	1	1338683-8	FEED PAWL	56	
-	1	1	1	1-5018030-0	NUT, HEX, REG, RoHS, M3.5	52	
-	1	1	1	1901681-1	HOLDDOWN, TERMINAL	51	
-	1	1	1	3-1752354-3	STANDOFF, HOLD-DOWN	50	
-	-	-	1	18023-9	SCR, SKT HD CAP M4 X 6.0	49	
-	1	1	1	2079383-7	SCR, BHSC, RoHS (M8 X 25)	41	
-	1	1	1	2119645-1	DISC, NUMBERED FA WIRE ADJUSTMENT	40	
-	1	1	1	2119957-1	APPLICATOR SHIM PACK	39	
-	1	1	1	1-2119644-2	RAM WASHER, PRECISION	38	
-	1	1	1	1752356-1	SUPPORT, TERMINAL	34	
-	2	2	2	1-2079383-3	SCR, BHSC, RoHS (M4 X 25)	33	
-	1	1	1	2161328-1	HEX HEAD, FLANGED, M5 X 8mm LONG	32	
-	1	1	1	2-1320908-2	SPACER, STRIP GUIDE	30	
-	1	1	1	2119959-1	ASSEMBLY, STRIP GUIDE	29	
-	1	1	1	1-455888-0	SPACER, CRIMPER	28	
-	1	1	1	1320928-2	STRIP GUIDE	24	
-	1	1	1	2168083-2	SCR, SKT HD CAP, RoHS, M4 X 8.0	21	
-	1	1	1	1-18028-2	WASHER, FLAT, REG M4	20	
-	1	1	1	2119533-1	STRIPPER, SIDE FEED	19	
-	1	1	1	2119806-1	INSERT, SHEAR	13	
-	1	1	1	3-22280-3	SPRING, COMPRESSION	12	
-	1	1	1	1-356885-4	STOP, SHEAR	11	
-	1	1	1	2119805-1	SHEAR HOLDER, FRONT	10	
-	1	1	1	454276-5	FLOATING SHEAR, FRONT	9	
-	1	1	1	1633134-3	ANVIL, COMBINATION .110	8	
-	-	-	-	-	-	7	
-	-	-	-	-	-	6	
-	1	1	1	2119757-8	DEPRESSOR, SHEAR	5	
-	1	1	1	238011-2	BLOCK, CRIMPER SPACER	4	
-	1	1	1	2119582-3	CRIMPER, INSULATION F PREMIUM	3	
-	1	1	1	455888-7	SPACER, CRIMPER	2	
-	1	1	1	456408-3	CRIMPER, WIRE PREMIUM	1	
-	77	-27	-25	-22	PART NO	DESCRIPTION	ITEM NO

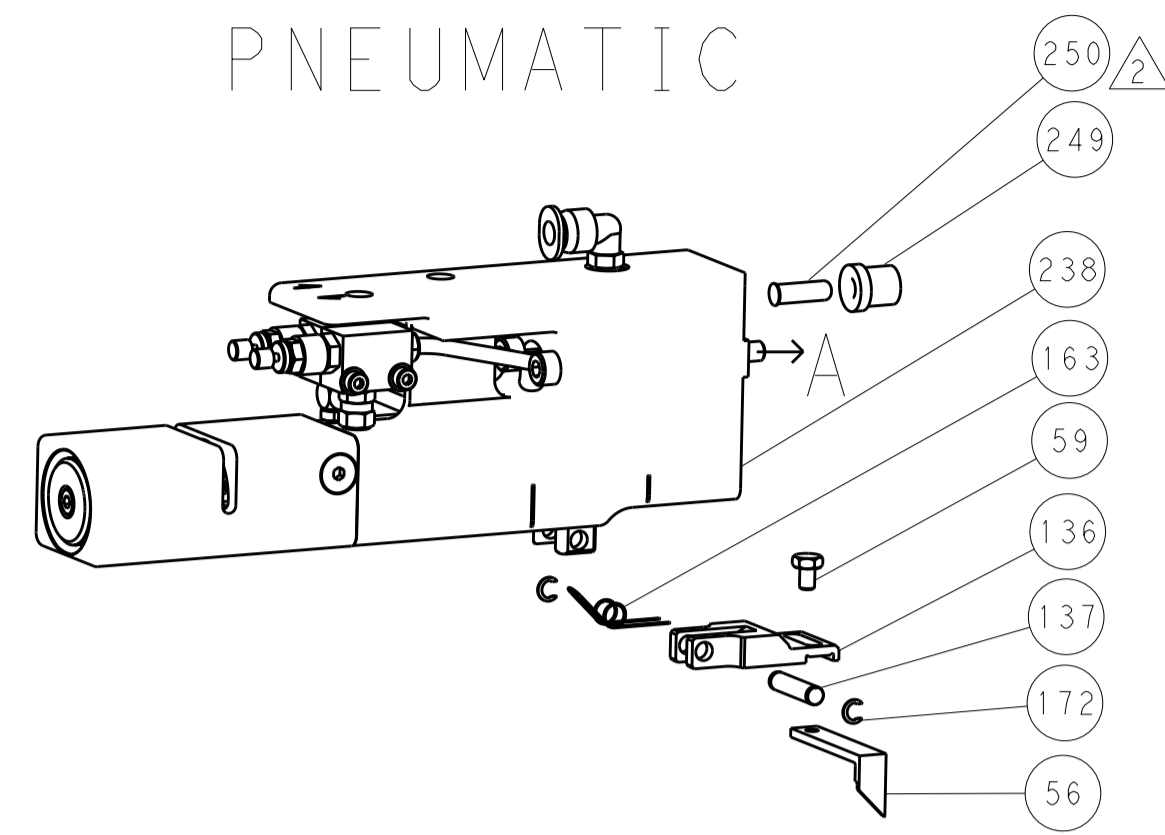
PACIFIC VERSION
Shown on sheets 3 of 4 & 4 of 4
(Atlantic version shown on sheets 1 of 4 & 2 of 4)

DIMENSIONS: mm		TOLERANCES UNLESS OTHERWISE SPECIFIED: 0 PLC ±.5 1 PLC ±0.5 2 PLC ±0.13 3 PLC ±0.013 4 PLC ±0.001 ANGLES ±.01		DATE: 19MAR2012 CHK: X ZHAO T. ELBIN S. XI APVD: 19MAR2012		NAME: Ocean Side Feed Applicator	
MATERIAL: -		FINISH: -		WEIGHT: -		SIZE: A1 CAGE CODE: 00779 DRAWING NO: C=2151340	
Customer Accessible Production Drawing				SCALE: 1:2		SHEET 3 OF 4 REV B	

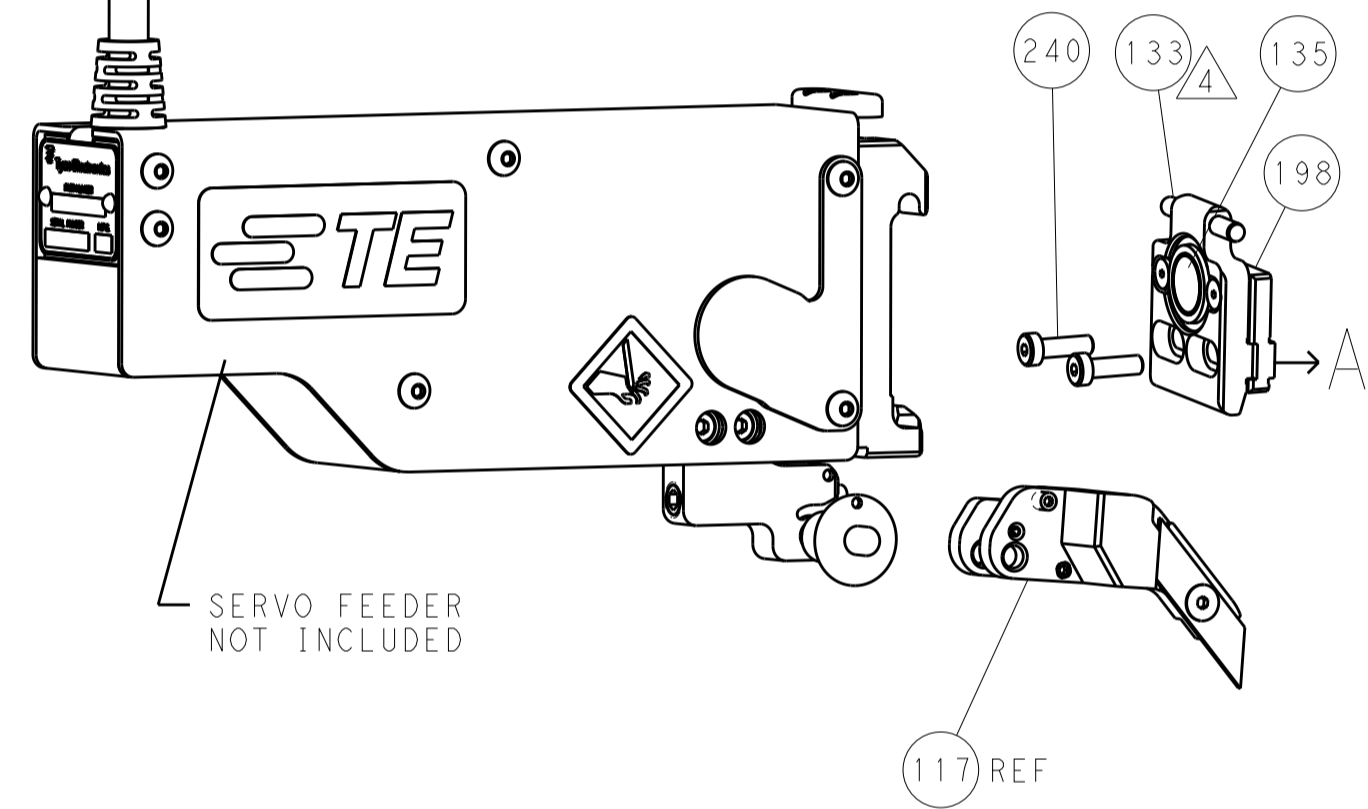
REVISONS		DATE	OWN	APVD
LOC	DIST			
A	66			
P	LTM	DESCRIPTION		
-	-	SEE SHEET 1	-	-

FEED TYPE

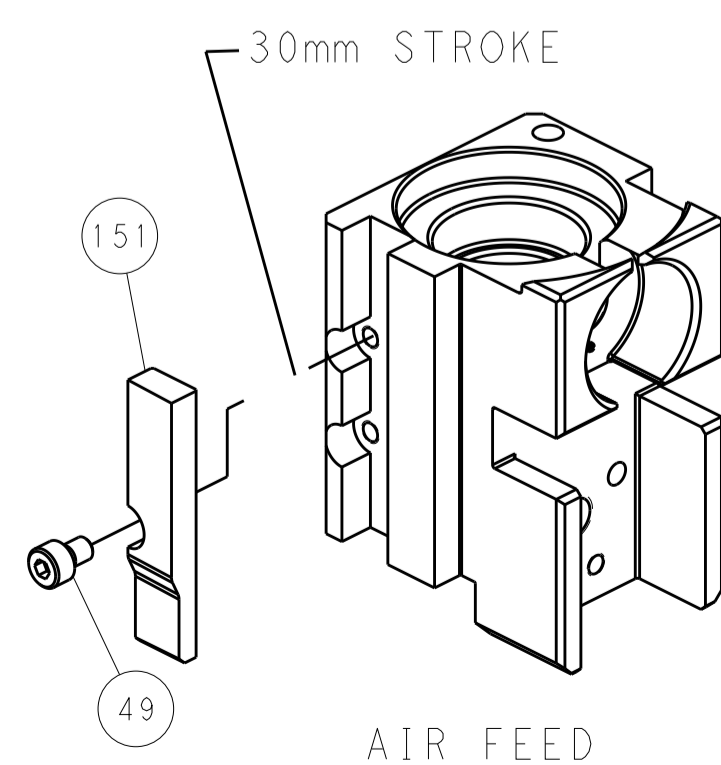
PNEUMATIC



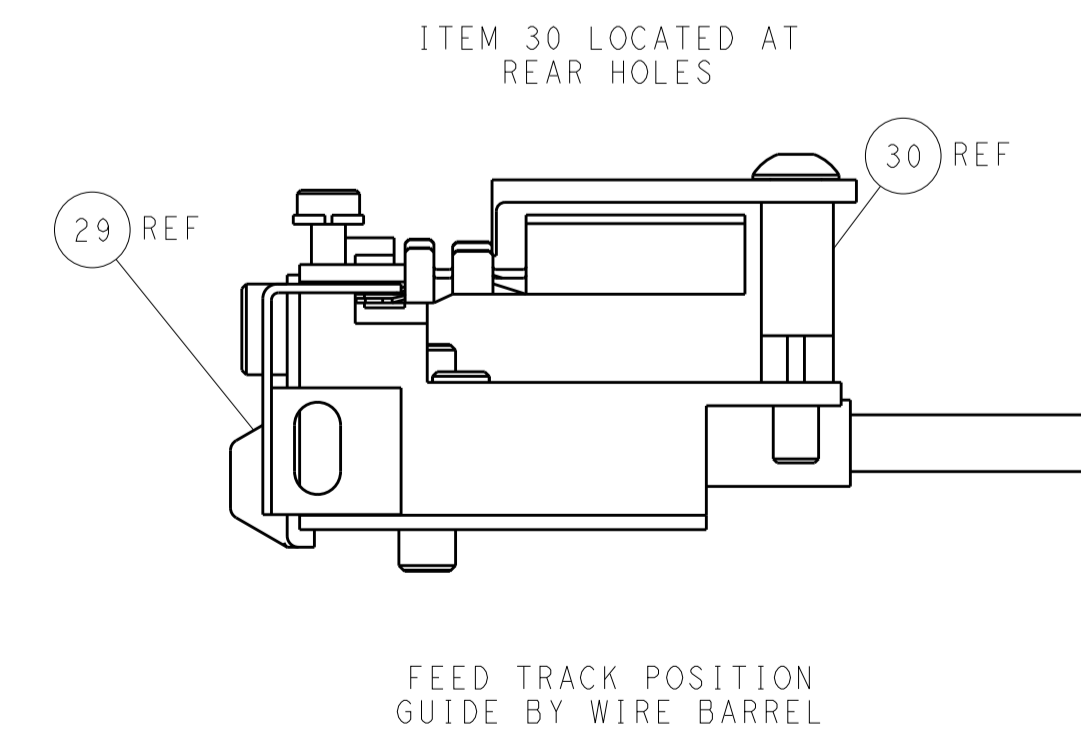
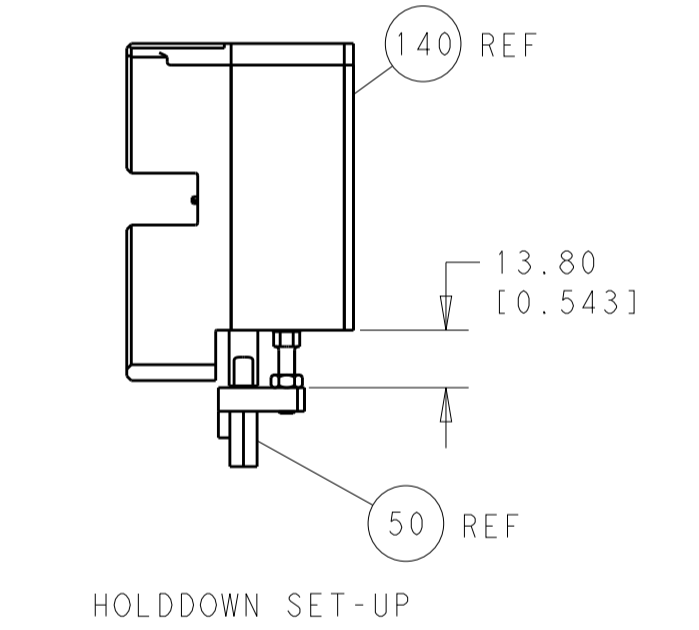
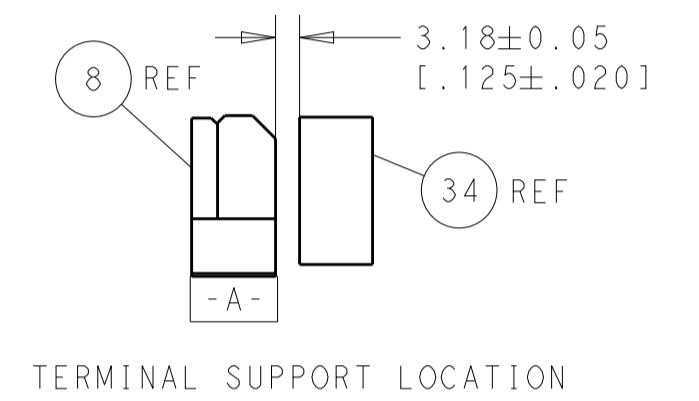
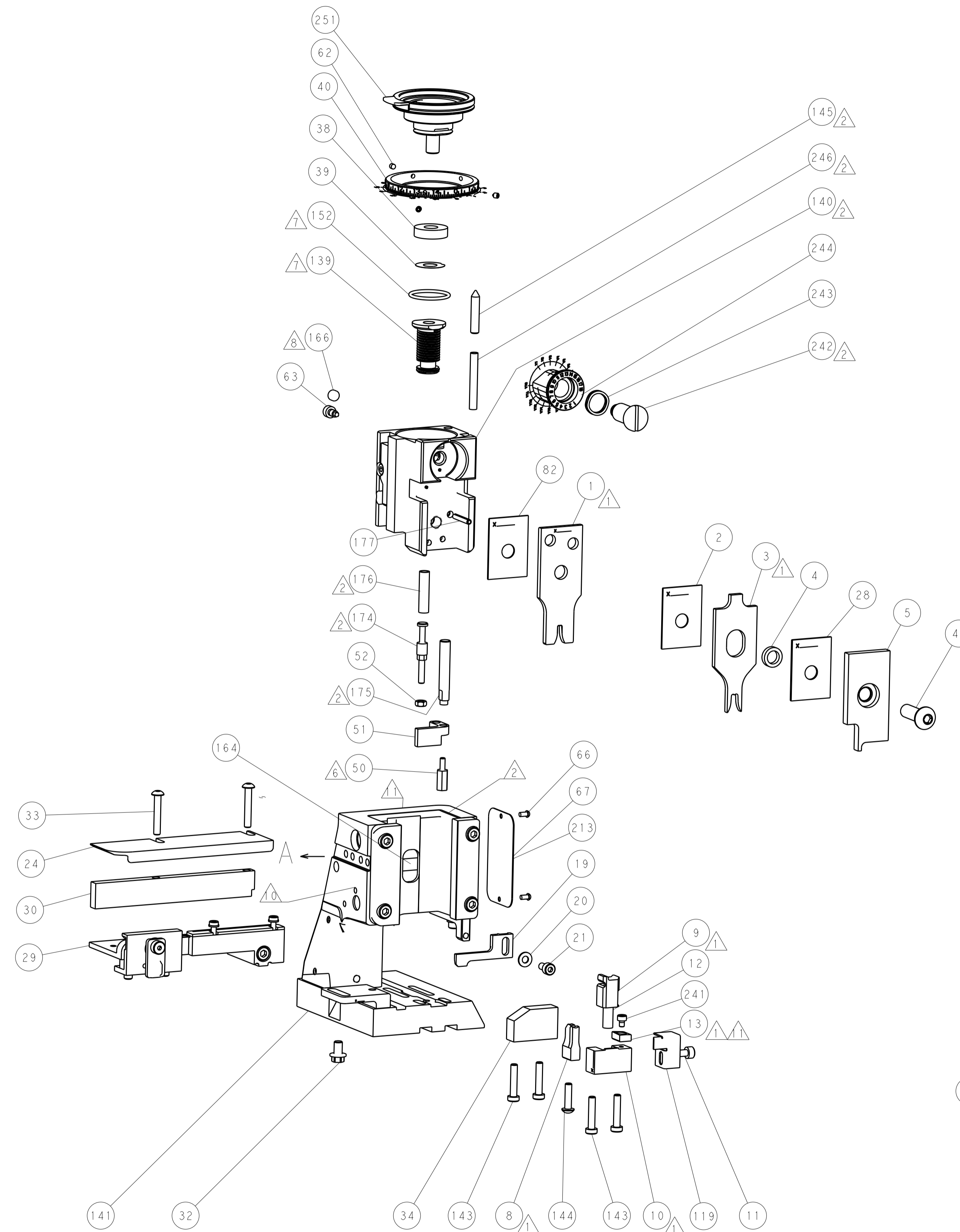
SERVO LATCH PLATE



CAM POSITION



AIR FEED



PACIFIC VERSION
 Shown on sheets 3 of 4 & 4 of 4
 (Atlantic version shown on sheets 1 of 4 & 2 of 4)

DIMENSIONS:		TOLERANCES UNLESS OTHERWISE SPECIFIED:		DWG: X_ZHAO 19MAR2012		NAME: Ocean Side Feed Applier	
mm	0 PLC ±0.5	1 PLC ±0.13	2 PLC ±0.013	3 PLC ±0.001	4 PLC ±0.0001	SIZE: A1	CAGE CODE: 00779
MATERIAL:		FINISH:		APVD: S_XI 19MAR2012		DRAWING NO: 2151340	
				PRODUCT SPEC:		SCALE: 1:2	
				APPLICATION SPEC:		SHEET 4 OF 4	
				WEIGHT:		REV B	
				Customer Accessible Production Drawing		RESTRICTED TO:	