

1) Head 1, 2) Head 2



### Basic features

<b>Approval/Conformity</b>	CE cULus EAC WEEE
<b>EN 55011</b>	Size 1, Cl. A
<b>Principle of operation</b>	Processor unit

### Display/Operation

<b>CT1 present/operating</b>	LED green/LED yellow
<b>CT2 present/operating</b>	LED green/LED yellow
<b>MOD/NET STATUS</b>	Green LED/Red LED

### Electrical connection

<b>Connection (COM 1)</b>	X3 (DeviceNet IN): Male, 5-pin
<b>Connection (COM 2)</b>	X2 (DeviceNet OUT): Female, 5-pin
<b>Connection (Service)</b>	X4: Male, 4-pin
<b>Connection (supply voltage IN)</b>	X1 (power supply/digital input): Male, 5-pin
<b>Connection slots</b>	Head 1: Male, 4-pin Head 2: Male, 4-pin
<b>Connector port 01, note type</b>	for all C-3... with Female, 4-pin

LF (70/455 kHz)  
**BIS C-6023-025-050-03-ST13**  
Order Code: BIS00AT

# BALLUFF

## Electrical data

---

Control input	1 (optocoupler isolated)
Control voltage active	4...40 V
Control voltage inactive	1.5...-40 V
Current consumption max. at 24 V DC	400 mA
Delay time typ.	5 ms
Input current max. at 24 V	11 mA
Operating voltage $U_b$	19.2...28.8 VDC
Residual ripple max.	10 %

## Environmental conditions

---

Ambient temperature	0...60 °C
Continuous shock load	yes
EN 60068-2-27, Shock	yes
EN 60068-2-32 Free fall	yes
EN 60068-2-6, Vibration	yes
IP rating	IP65, with connector

## Remarks

---

Values are under rated conditions unless otherwise specified.

Accessories not included: For connecting to: X1 = BKS-S79-00 X2 = BKS-S98-00 X3 = BKS-S99-00 cover cap for X2 = 118735 termination resistor for X2 = BKS-S98-R1

When installing, the technical standards and regulations of the corresponding countries must be observed.

## Interface

---

Interface	DeviceNet galvanically isolated
-----------	---------------------------------

## Material

---

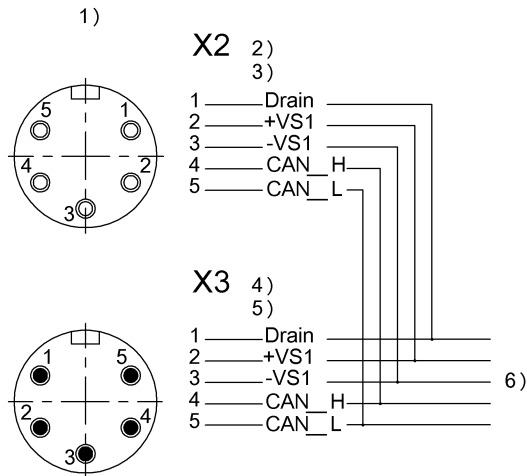
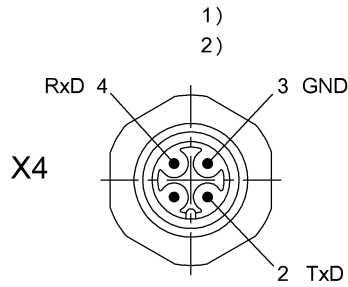
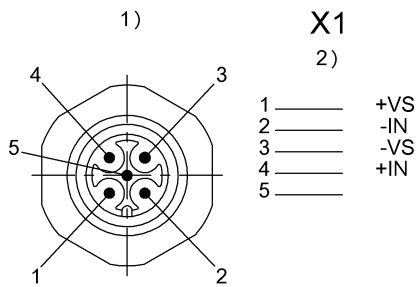
Housing material	Aluminum, Die casting
Material	undefined

## Mechanical data

---

Application weight	820.00 g
Dimension	100 x 60 x 160 mm

**Connector Drawings**



- 1) View towards connector
- 3) Female 5-pin/ Function
- 4) DeviceNet Input
- 5) Male 5-pin/ Function
- 6) Internal

Help Views

